

4

3

2

1

REV	ECO	REV BY	DATE	APPD	DATE
B	0025554	O. CARVAJAL	05-01-2012	M. AVILA	05-01-2012

GENERAL INFORMATION:

SHAFT RUNOUT: .001 [.03] T.I.R. PER INCH LENGTH OF EXTENSION

BEARINGS: BALL

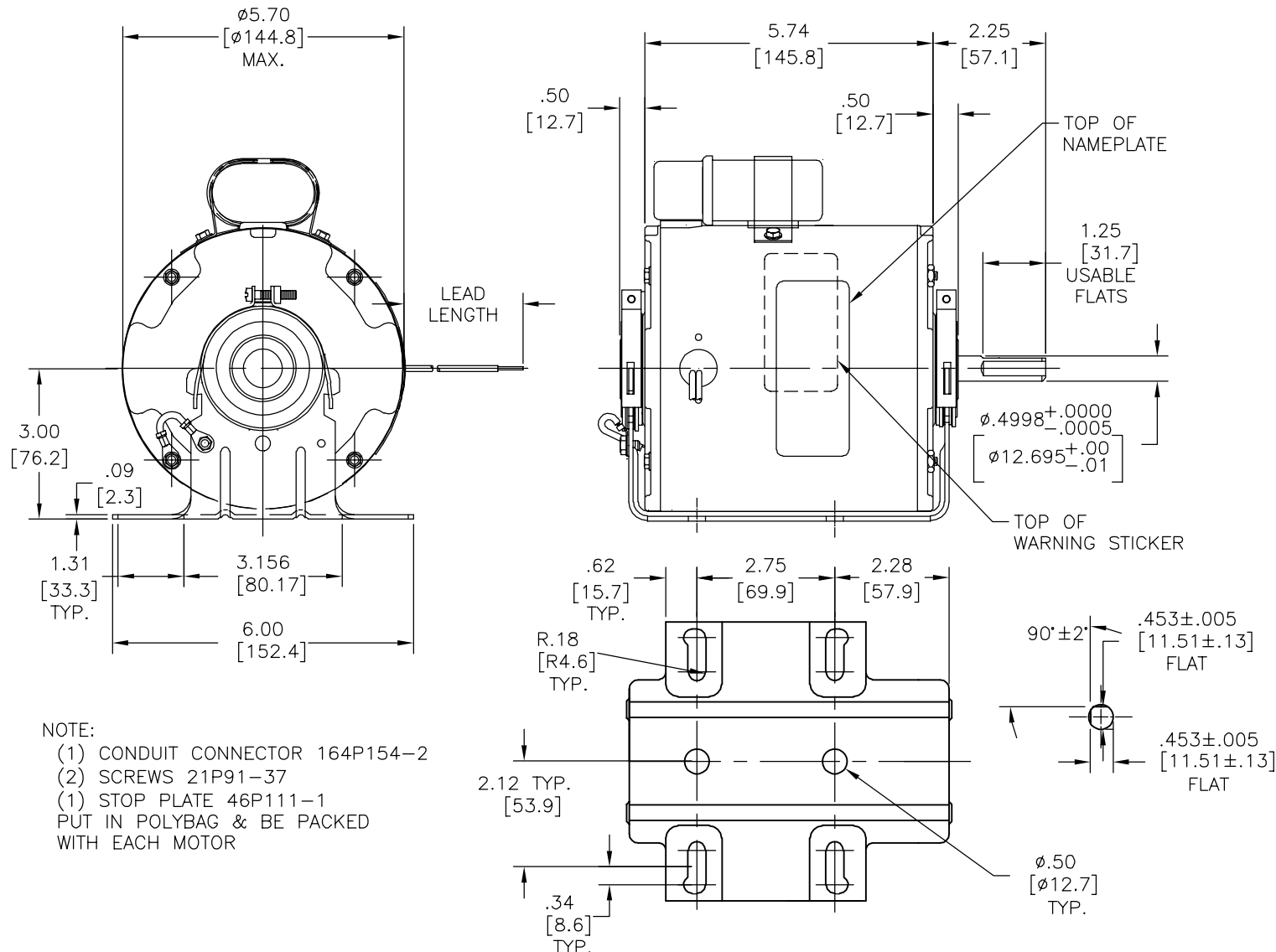
MOUNTING POSITION: HORIZONTAL

ELECTRICAL DATA:

OVERLOAD PROTECTOR: AUTOMATIC RESET (T.I. 7AM 034)

LINE LEADS: NO. 18 GA., .03 [.7] THK., 125°C INSUL.

GROUND LEAD: NO. 16 GA., .03 [.7] THK., (GRN) INSUL.



NOTE:
 (1) CONDUIT CONNECTOR 164P154-2
 (2) SCREWS 21P91-37
 (1) STOP PLATE 46P111-1
 PUT IN POLYBAG & BE PACKED WITH EACH MOTOR

GREEN(GRD)	4.0/5.0 [102/127]	#10 EYELET
BROWN	4.0/5.0 [102/127]	.25 [6.4] FLAG
BROWN	4.0/5.0 [102/127]	.25 [6.4] FLAG
BLACK	37.0/39.0 [940/991]	.50 [12.7] STRIP
BLACK	37.0/39.0 [940/991]	.50 [12.7] STRIP
COLOR	LENGTH	TERMINAL OR STRIP LENGTH

MAIN FRAME - OLE	ENCLOSED
END FRAME - OLE	ENCLOSED
MAIN FRAME - LE	ENCLOSED
END FRAME - LE	ENCLOSED

CUSTOMER	DISTRIBUTION SERVICES
----------	-----------------------

NAMEPLATE DATA:	EXTERNAL CONNECTION DIAGRAM
MODEL NO.: F48W55A01 CUST. P/N: OCP0108 HP: 1/3 ROT.: CWLE RPM: 1625 TYPE: UF FRAME: 48Y VOLTS: 208/230 PH: 1 AMPS: 2.6 HZ: 50/60 INS.: A AMB.: 50°C DUTY: AIR OVER CAP.: 4.0 MFD/370 V ENCL: ENCLOSED UL LOGO CSA LOGO THERMALLY PROTECTED	CONNECTION DIAGRAM SEP. CAP BROWN BROWN BLACK BLACK LINE

PREFORMANCE CURVE NO.	TORQUE @ 1625 RPM (25°C)	APPROVED SAMPLE	UL COMPONENT FILE#	CCN#	CSA FILE#	CLASS#
C32498	25.2 OZ. FT.	0441067A	E46412	PRGY2	LR43341	4211-01

614131-032

GEOMETRIC CHARACTERISTICS & SYMBOLS
 ▽ FLATNESS
 - STRAIGHTNESS
 < ANGLARITY
 ⊥ PERPENDICULARITY (SQUARENESS)
 // PARALLELISM
 ○ ROUNDNESS (CIRCULARITY)
 ⌀ CYLINDRICITY
 △ PROFILE OF ANY SURFACE
 ∩ PROFILE OF ANY LINE
 ↗ RUNOUT
 ⊕ TRUE POSITION
 ⊙ CONCENTRICITY
 = SYMMETRY
 ASME Y14.5M 1994

REGAL-BELOIT CORPORATION (RBC) PROVIDES TECHNICAL ASSISTANCE TO OUR CUSTOMERS IN SEVERAL AREAS. SINCE RBC DOES NOT RECEIVE ALL DATA CONCERNING THE USE AND APPLICATION OF THE MOTOR, THE SUITABILITY OF THE MOTOR FOR THE APPLICATION MUST BE DETERMINED BY THE CUSTOMER.
 DIMENSIONS WITHOUT TOLERANCES ARE FOR REFERENCE ONLY.

DR BY: S. JIMENEZ 05-28-2010
 APPD: J. RUPERT 05-28-2010
 THIRD ANGLE PROJECTION
 EDS DATE 11-11-2011
 FORMAT REV G
 CONFIDENTIAL: THIS DRAWING AND ITS INFORMATION ARE THE EXCLUSIVE AND CONFIDENTIAL PROPERTY OF REGAL-BELOIT CORPORATION AND ARE NOT TO BE DISCLOSED, DUPLICATED, DISTRIBUTED OR OTHERWISE USED WITHOUT THE WRITTEN CONSENT OF REGAL-BELOIT CORPORATION. -ALL RIGHTS RESERVED.

REGAL-BELOIT CORPORATION
 DESCRIPTION: MODEL-RFHP-48FR OUTLINE
 SIZE: C DWG NO: F48W55A01
 SCALE: NONE SHEET: 1

4

3

2

1

4

3

2

1

REVISION:	ECO	REVISADO POR:	FECHA:	APROBADO POR:	FECHA:
B	0025554	O. CARVAJAL	05-01-2012	M. AVILA	05-01-2012

INFORMACION GENERAL

OSCILACION DE LA FLECHA: .001 [.03] L.T.I. POR PULGADA DE EXTENSION

BALEROS: BOLA

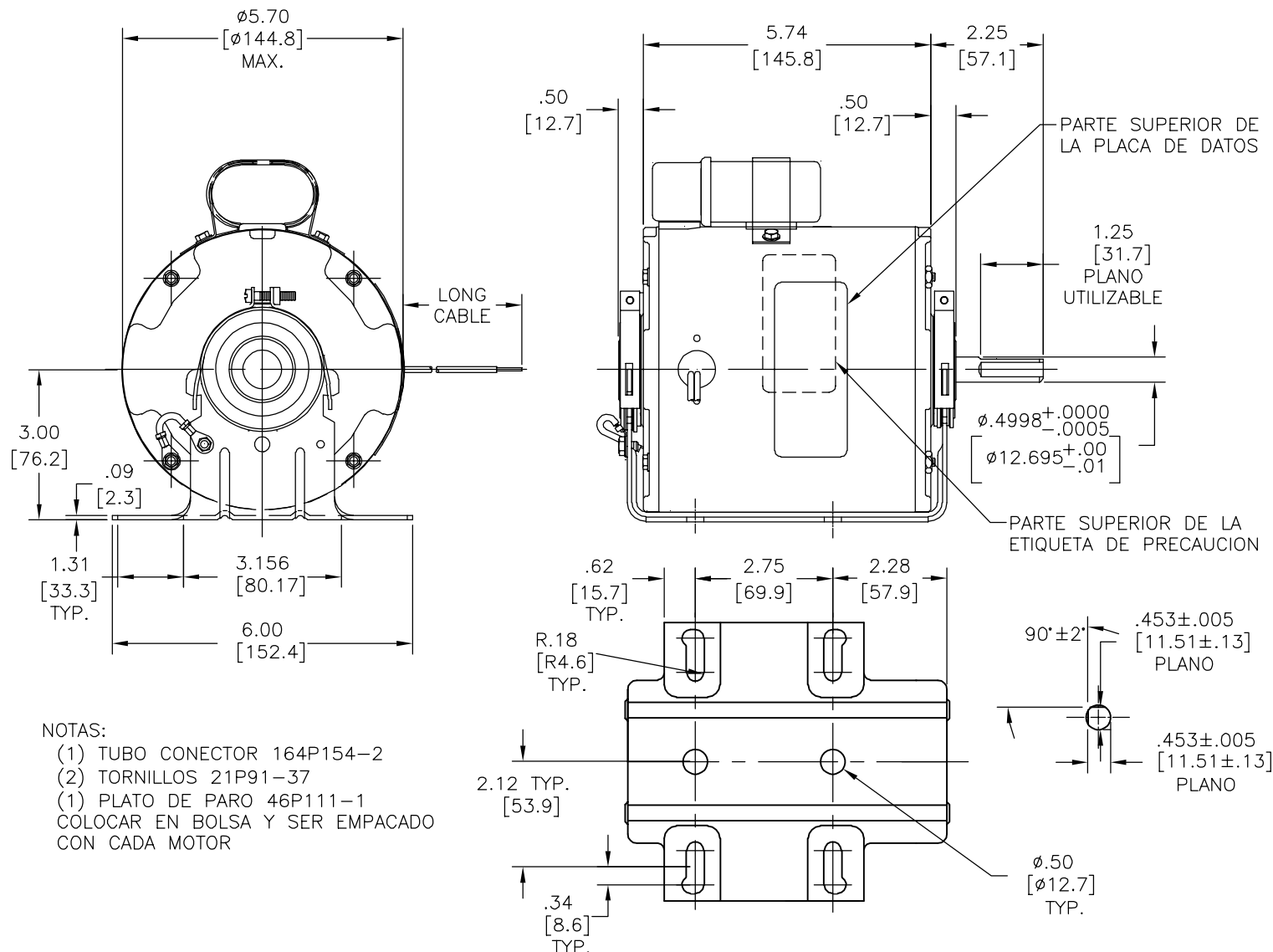
POSICION DE MONTAJE: HORIZONTAL

DATOS ELECTRICOS:

SOBRECARGADO PROTECTOR: REINICIO AUTOMATICO (T.I. 7AM 034)

CABLES DE LINEA: CALIBRE #18, .03 [.7] GROSOR, 125°C AISLADO

CABLE A TIERRA: CALIBRE #16, .03 [.7] GROSOR, (VERDE) AISLADO



- NOTAS:
- (1) TUBO CONECTOR 164P154-2
 - (2) TORNILLOS 21P91-37
 - (1) PLATO DE PARO 46P111-1
- COLOCAR EN BOLSA Y SER EMPACADO CON CADA MOTOR

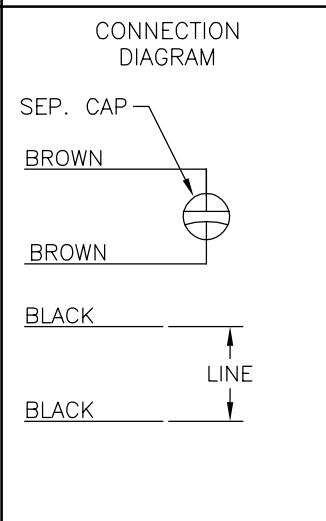
VERDE(A TIERRA)	4.0/5.0 [102/127]	#10 OJAL
CAFE	4.0/5.0 [102/127]	.25 [6.4] BAND
CAFE	4.0/5.0 [102/127]	.25 [6.4] BAND
NEGRO	37.0/39.0 [940/991]	.50 [12.7] DESF.
NEGRO	37.0/39.0 [940/991]	.50 [12.7] DESF.
COLOR	LONGITUD	TERMINAL O LONG DE DESFORRE

CARCASA - OLE	CERRADO
TAPA - OLE	CERRADO
CARCASA - LE	CERRADO
TAPA - LE	CERRADO
CERRADO	

CLIENTE	DISTRIBUTION SERVICES
---------	-----------------------

DATOS DE ETIQUETA: DIAGRAMA DE CONEXION EXTERNA

MODEL NO.: F48W55A01
 CUST. P/N: OCP0108
 HP: 1/3
 ROT.: CWLE
 RPM: 1625
 TYPE: UF
 FRAME: 48Y
 VOLTS: 208/230
 PH: 1
 AMPS: 2.6
 HZ: 50/60
 INS.: A
 AMB.: 50°C
 DUTY: AIR OVER
 CAP.: 4.0 MFD/370 V
 ENCL: ENCLOSED
 UL LOGO
 CSA LOGO
 THERMALLY PROTECTED



614131-032

PREFORMANCE CURVE NO.	TORQUE @ 1625 RPM (25°C)	APPROVED SAMPLE	UL COMPONENT		CSA	
			FILE#	CCN#	FILE#	CLASS#
C32498	25.2 OZ. FT.	0441067A	E46412	PRGY2	LR43341	4211-01

CARACTERISTICAS DE GEOMETRIA Y SIMBOLOS

- ▧ PLANICIDAD
- RECTITUD
- ∠ ANGULARIDAD
- ⊥ PERPENDICULARIDAD (A ESCUADRA)
- // PARALELISMO
- REDONDEZ (CIRCULARIDAD)
- ⊘ CILINDRICIDAD
- △ PERFIL DE CUALQUIER SUPERFICIE
- ∧ PERFIL DE CUALQUIER LINEA
- ↗ VARIACION
- ⊕ POSICION REAL
- ⊙ CONCENTRICIDAD
- ≡ SIMETRIA

ASME Y14.5M 1994

REGAL-BELOIT CORPORATION (RBC) PROVEE ASISTENCIA TECNICA A NUESTROS CLIENTES EN VARIAS AREAS. DESDE QUE RBC NO RECIBE TODOS LOS DATOS EN RELACION AL USO Y A LA APLICACION DEL MOTOR, LA APLICACION ADECUADA DEL MOTOR DEBE SER DETERMINADA POR EL CLIENTE.

DIMENSIONES SIN TOLERANCIA SON DE REFERENCIA SOLAMENTE

DIBUJADO POR: S. JIMENEZ 05-28-2010
 APROBADO POR: J. RUPERT 05-28-2010
 TERCER ANGULO DE PROYECCION
 CONFIDENCIAL: ESTE DIBUJO Y SU INFORMACION SON PROPIEDAD DE USO EXCLUSIVO Y CONFIDENCIAL DE REGAL-BELOIT CORPORATION. Y NO DEBERAN SER REVELADOS, DUPLICADOS, DISTRIBUIDOS O USARSE DE OTRA MANERA SIN EL CONSENTIMIENTO ESCRITO DE REGAL-BELOIT CORPORATION. -TODOS LOS DERECHOS RESERVADOS.

DESCRIPCION: MODEL-RFHP-48FR OUTLINE
 TAMAÑO: C NUMERO DE DIBUJO: F48W55A01
 ESCALA: NONE HOJA: 1

4

3

2

1

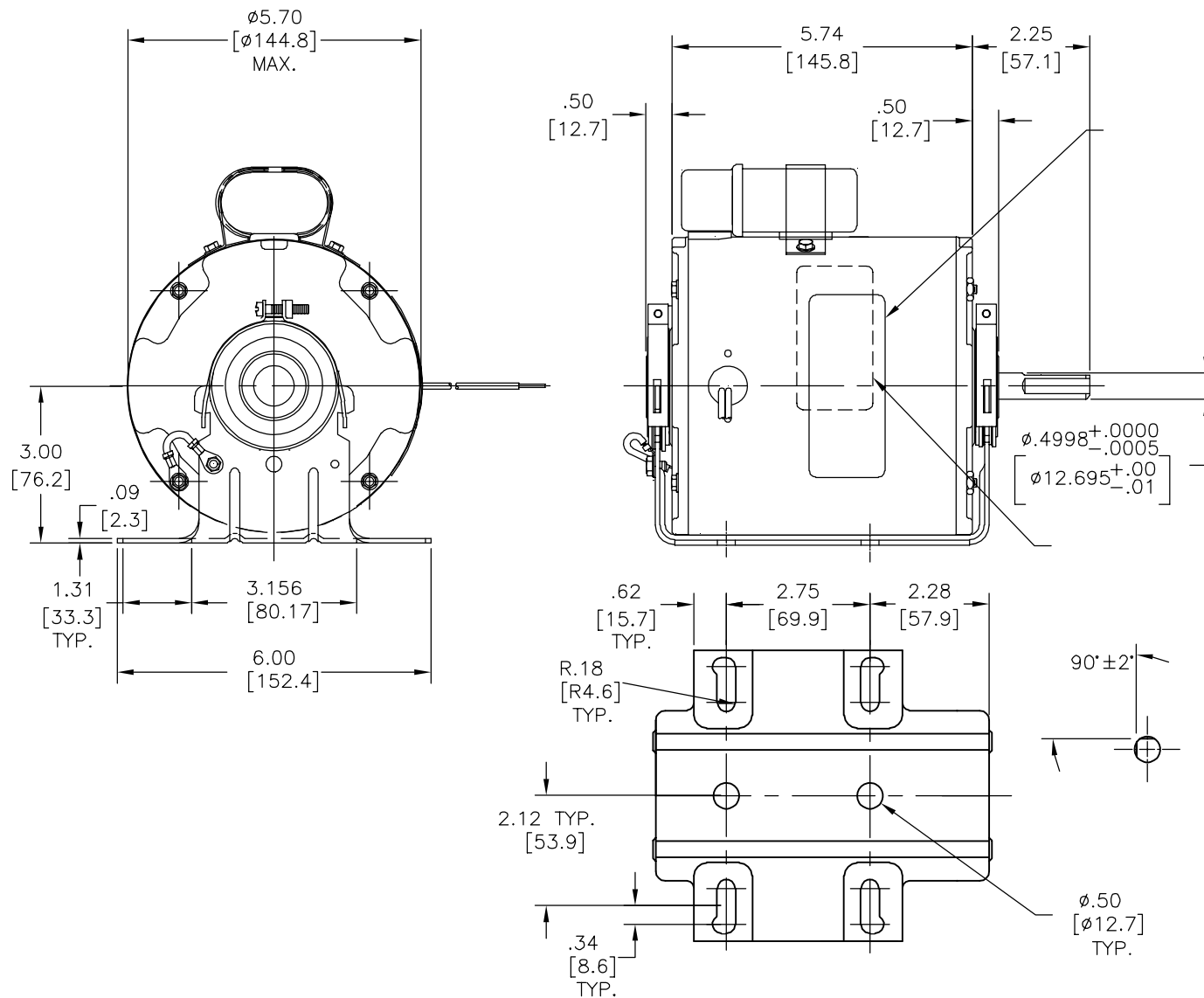
4

3

2

1

版本	ECO	编制	日期	批准	日期
B	0025554	O. CARVAJAL	05-01-2012	M. AVILA	05-01-2012

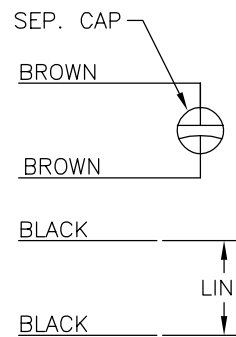


	4.0/5.0	
	[102/127]	
	4.0/5.0	
	[102/127]	
	4.0/5.0	
	[102/127]	
	37.0/39.0	
	[940/991]	
	37.0/39.0	
	[940/991]	

DISTRIBUTION SERVICES

MODEL NO.: F48W55A01
 CUST. P/N: OCP0108
 HP: 1/3
 ROT.: CWLE
 RPM: 1625
 TYPE: UF
 FRAME: 48Y
 VOLTS: 208/230
 PH: 1
 AMPS: 2.6
 HZ: 50/60
 INS.: A
 AMB.: 50°C
 DUTY: AIR OVER
 CAP.: 4.0 MFD/370 V
 ENCL: ENCLOSED
 UL LOGO
 CSA LOGO
 THERMALLY PROTECTED

CONNECTION DIAGRAM



614131-032

PERFORMANCE CURVE NO.	TORQUE @ 1625 RPM (25°C)	APPROVED SAMPLE	UL COMPONENT		CSA	
			FILE#	CCN#	FILE#	CLASS#
C32498	25.2 OZ. FT.	0441067A	E46412	PRGY2	LR43341	4211-01

- 形位公差
- 平面度
- 直线度
- ∠ 倾斜度
- ⊥ 垂直度
- // 平行度
- 圆度
- ⊘ 圆柱度
- ⊙ 圆轮廓度
- △ 面轮廓度
- ∩ 线轮廓度
- ↗ 圆跳动
- ⊕ 位置度
- ⊙ 同轴度
- ≡ 对称度

ASME Y14.5M 1994

REGAL-BELOIT CORPORATION (RBC) 在个别领域为客户提供技术支持。鉴于RBC未收到任何涉及电机使用和应用环境的数据，电机的适用性由客户自己决定。

未注公差尺寸仅供参考。

绘图:	S. JIMENEZ	05-28-2010
批准:	J. RUPERT	05-28-2010
第三角投影		图纸格式发布日期 11-11-2011 图纸格式版本 G
机密: 本图纸及相关信息所有权归REGAL-BELOIT CORPORATION。未经REGAL-BELOIT CORPORATION书面授权, 不得泄露、复制、传播或作其他用途。—版权所有		



名称: MODEL-RFHP-48FR OUTLINE

图幅: C 图号: F48W55A01

比例: NONE 页号: 1

4

3

2

1