

4

3

2

1

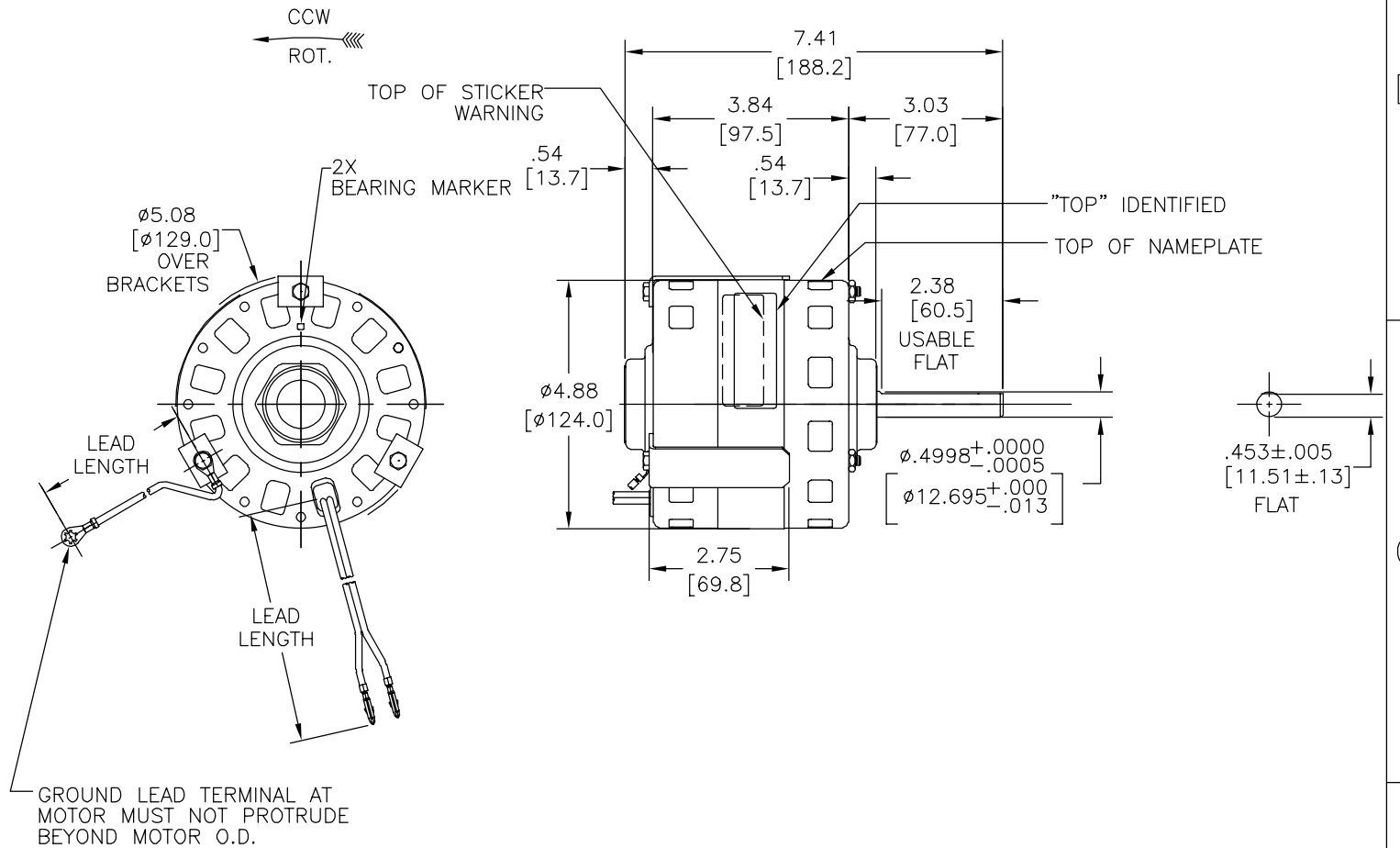
GENERAL INFORMATION:

SHAFT RUNOUT: .001 [.03] T.I.R. PER INCH LENGTH OF EXTENSION
 END PLAY: .010[.25] TO .063[1.60]
 BEARINGS: SLEEVE
 MOUNTING POSITION: ALL ANGLE

ELECTRICAL DATA:

OVERLOAD PROTECTOR: AUTOMATIC RESET (T.I. 7AM 304)
 LEADS: NO. 18 GA., .06 [1.5] THK., 125°C INSUL.
 GROUND LEAD: NO. 18 GA., .03 [.8] THK., (GREEN) INSUL.

REV	ECO	REV BY	DATE	APPD	DATE
E	0026381	X.ZHONG	05-28-2012	B.SHEN	05-28-2012



NAMEPLATE DATA:

SEE NOTE 3

EXTERNAL CONNECTION DIAGRAM

MODEL NO: B42A82A01
 CUST. P/N: []
 HP: 1/12
 ROT.: CCWLE
 RPM: 1050
 TYPE: FE
 FRAME: 42Y
 VOLTS: 115
 PH: 1
 AMPS: 3.1
 HZ: 60
 INS.: B
 AMB: 40°C
 DUTY: AIR OVER
 CAP.: -
 CSA LOGO
 UL LOGO
 THERMALLY PROTECTED
 TYPE C



NOTES:

- MOTOR SHIPPED WITH LEADS AND PIN TERMINALS INSIDE PROTECTIVE TUBE.
- ⊕ MAX. DIA. OVER INSUL. GRIP OF PIN TERMINAL IS .217[5.51]
- DISTRIBUTION: CUST. P/N: BL6409
GRAINGER: CUST. P/N: 4KA23

PERFORMANCE CURVE NO.	TORQUE @ 1050 RPM (25°C)	APPROVED SAMPLE	UL COMPONENT		CSA	
C32230	7.7 OZ. FT.	0442670B	FILE #	GUIDE #	FILE #	GUIDE #
			E46412	PRGY2	LR43341	260-φ-0

GREEN(GRD)	6/7 [152/178]	#10 EYELET
2 COND. RIPCORDER	26/28 [660/711]	AMP PIN #350538-1
COLOR	LENGTH	TERMINAL OR STRIP LENGTH

MAIN FR. - OLE	OPEN
END FR. - OLE	OPEN
MAIN FR. - LE	OPEN
END FR. - LE	OPEN

CUST	DISTRIBUTION SERVICES
------	-----------------------

GEOMETRIC CHARACTERISTICS & SYMBOLS
 □ FLATNESS
 - STRAIGHTNESS
 < ANGLARITY
 ⊥ PERPENDICULARITY (SQUARENESS)
 // PARALLELISM
 ○ ROUNDNESS (CIRCULARITY)
 ∅ CYLINDRICITY
 △ PROFILE OF ANY SURFACE
 ∩ PROFILE OF ANY LINE
 ↗ RUNOUT
 ⊕ TRUE POSITION
 ⊙ CONCENTRICITY
 = SYMMETRY
 ASME Y14.5M 1994

REGAL-BELOIT CORPORATION (RBC) PROVIDES TECHNICAL ASSISTANCE TO OUR CUSTOMERS IN SEVERAL AREAS. SINCE RBC DOES NOT RECEIVE ALL DATA CONCERNING THE USE AND APPLICATION OF THE MOTOR, THE SUITABILITY OF THE MOTOR FOR THE APPLICATION MUST BE DETERMINED BY THE CUSTOMER.
 DIMENSIONS WITHOUT TOLERANCES ARE FOR REFERENCE ONLY.

DR BY: CORDON 06-01-2004
 APPD: PIATT 06-23-2004
 THIRD ANGLE PROJECTION
 EDS DATE 11-11-2011
 FORMAT REV H
 CONFIDENTIAL: THIS DRAWING AND ITS INFORMATION ARE THE EXCLUSIVE AND CONFIDENTIAL PROPERTY OF REGAL-BELOIT CORPORATION AND ARE NOT TO BE DISCLOSED, DUPLICATED, DISTRIBUTED OR OTHERWISE USED WITHOUT THE WRITTEN CONSENT OF REGAL-BELOIT CORPORATION. -ALL RIGHTS RESERVED.

REGAL REGAL-BELOIT CORPORATION

DESCRIPTION: **OUTLINE**

SIZE: C DWG NO: 11722-003

SCALE: NONE SHEET 1

4

3

2

1

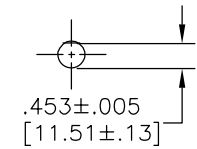
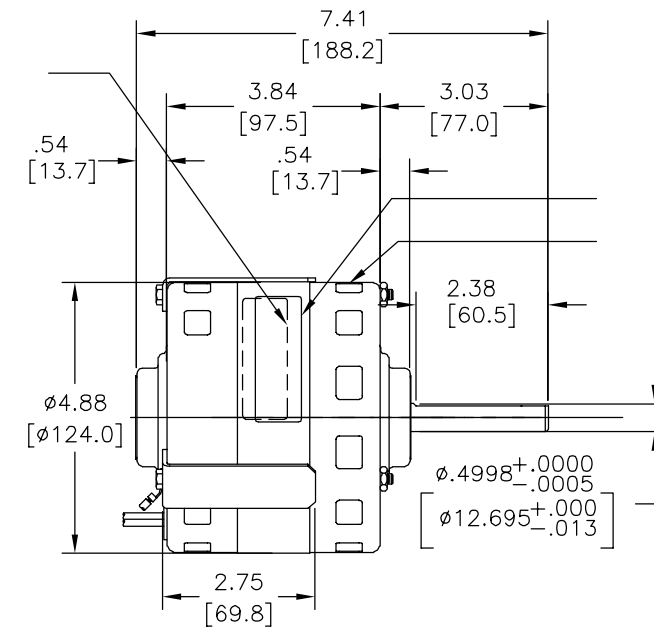
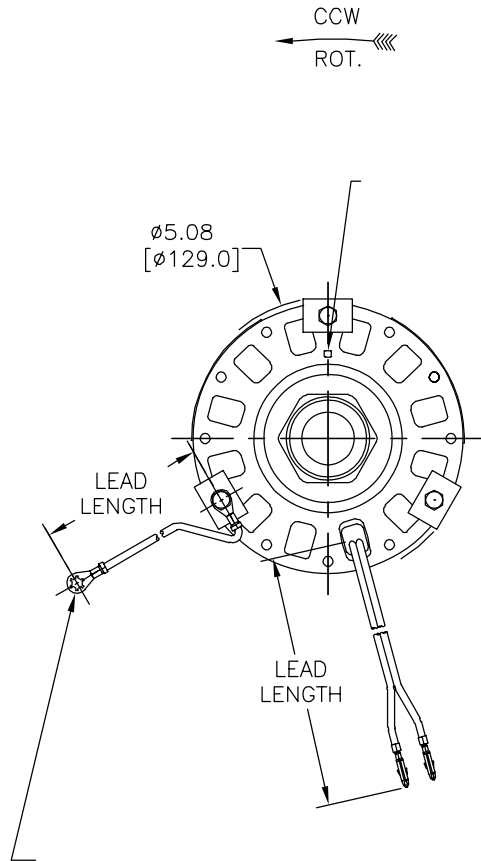
4

3

2

1

REVISION:	ECO	REVISADO POR:	FECHA:	APROBADO POR:	FECHA:
E	0026381	X.ZHONG	05-28-2012	B.SHEN	05-28-2012



MODEL NO: B42A82A01
 CUST. P/N: []
 HP: 1/12
 ROT.: CCWLE
 RPM: 1050
 TYPE: FE
 FRAME: 42Y
 VOLTS: 115
 PH: 1
 AMPS: 3.1
 HZ: 60
 INS.: B
 AMB: 40°C
 DUTY: AIR OVER
 CAP.: -
 CSA LOGO
 UL LOGO
 THERMALLY PROTECTED
 TYPE C



	6/7	
	[152/178]	
2 COND.	26/28	
RIPCORD	[660/711]	

					CSA
C32230		0442670B	E46412	PRGY2	LR43341 260-φ-0

CARACTERISTICAS DE GEOMETRIA Y SIMBOLOS
 ▢ PLANICIDAD
 - RECTITUD
 \sphericalangle ANGULARIDAD
 ⊥ PERPENDICULARIDAD (A ESCUADRA)
 // PARALELISMO
 ○ REDONDEZ (CIRCULARIDAD)
 ⌀ CILINDRICIDAD
 △ PERFIL DE CUALQUIER SUPERFICIE
 ∩ PERFIL DE CUALQUIER LINEA
 ↑ VARIACION
 ⊕ POSICION REAL
 ⊙ CONCENTRICIDAD
 = SIMETRIA
 ASME Y14.5M 1994

REGAL-BELOIT CORPORATION (RBC)
 PROVEE ASISTENCIA TECNICA A
 NUESTROS CLIENTES EN VARIAS AREAS.
 DESDE QUE RBC NO RECIBE TODOS
 LOS DATOS EN RELACION AL USO Y A
 LA APLICACION DEL MOTOR, LA
 APLICACION ADECUADA DEL MOTOR
 DEBE SER DETERMINADA POR EL
 CLIENTE.
 DIMENSIONES SIN TOLERANCIA SON
 DE REFERENCIA SOLAMENTE

DIBUJADO POR: CORDON 06-01-2004
 APROBADO POR: PIATT 06-23-2004
 TERCER ANGULO DE PROYECCION
 CONFIDENCIAL: ESTE DIBUJO Y SU INFORMACION SON PROPIEDAD DE USO EXCLUSIVO Y CONFIDENCIAL DE REGAL-BELOIT CORPORATION. Y NO DEBERAN SER REVELADOS, DUPLICADOS, DISTRIBUIDOS O USARSE DE OTRA MANERA SIN EL CONSENTIMIENTO ESCRITO DE REGAL-BELOIT CORPORATION. -TODOS LOS DERECHOS RESERVADOS.

REGAL REGAL-BELOIT CORPORATION
 DESCRIPCION: OUTLINE
 TAMAÑO: C NUMERO DE DIBUJO: 11722-003
 ESCALA: NONE HOJA: 1

4

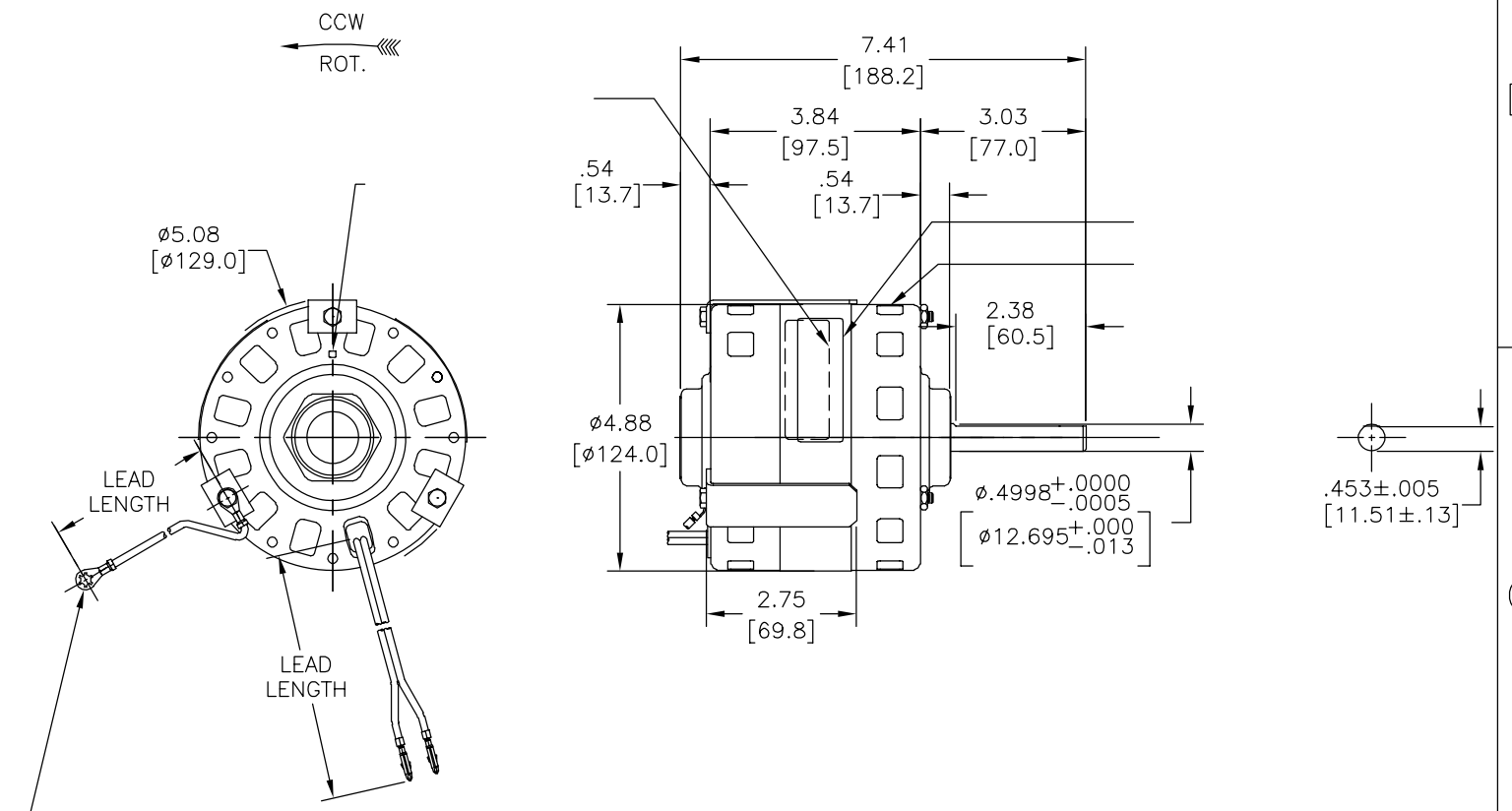
3

2

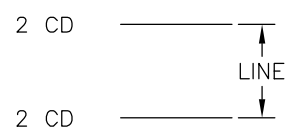
1

4 3 2 1

版本	ECO	编制	日期	批准	日期
E	0026381	X.ZHONG	05-28-2012	B.SHEN	05-28-2012



MODEL NO: B42A82A01
 CUST. P/N: []
 HP: 1/12
 ROT.: CCWLE
 RPM: 1050
 TYPE: FE
 FRAME: 42Y
 VOLTS: 115
 PH: 1
 AMPS: 3.1
 HZ: 60
 INS.: B
 AMB: 40°C
 DUTY: AIR OVER
 CAP.: -
 CSA LOGO
 UL LOGO
 THERMALLY PROTECTED
 TYPE C



	6/7	
	[152/178]	
2 COND. RIPCORDER	26/28	
	[660/711]	

					CSA
C32230		0442670B	E46412	PRGY2	LR43341 260-ø-0

形位公差	□ 平面度
	- 直线度
	< 倾斜度
	⊥ 垂直度
	// 平行度
	○ 圆度
	∅ 圆柱度
	△ 面轮廓度
	∩ 线轮廓度
	↗ 圆跳动
	⊕ 位置度
	⊙ 同轴度
	≡ 对称度

REGAL-BELOIT CORPORATION (RBC) 在个别领域为客户提供技术支持。鉴于RBC未收到任何涉及电机使用和应用环境的数据，电机的适用性由客户自己决定。

未注公差尺寸仅供参考。

绘图:	CORDON	06-01-2004
批准:	PIATT	06-23-2004
第三角投影		图纸格式发布日期 11-11-2011 图纸格式版本 H
机密:	本图纸及相关信息所有权归REGAL-BELOIT CORPORATION。未经REGAL-BELOIT CORPORATION书面授权，不得泄露、复制或传播或作其他用途。一版权所有	

		名称	OUTLINE
图幅	C	图号	11722-003
比例	NONE	页号	1

4 3 2 1