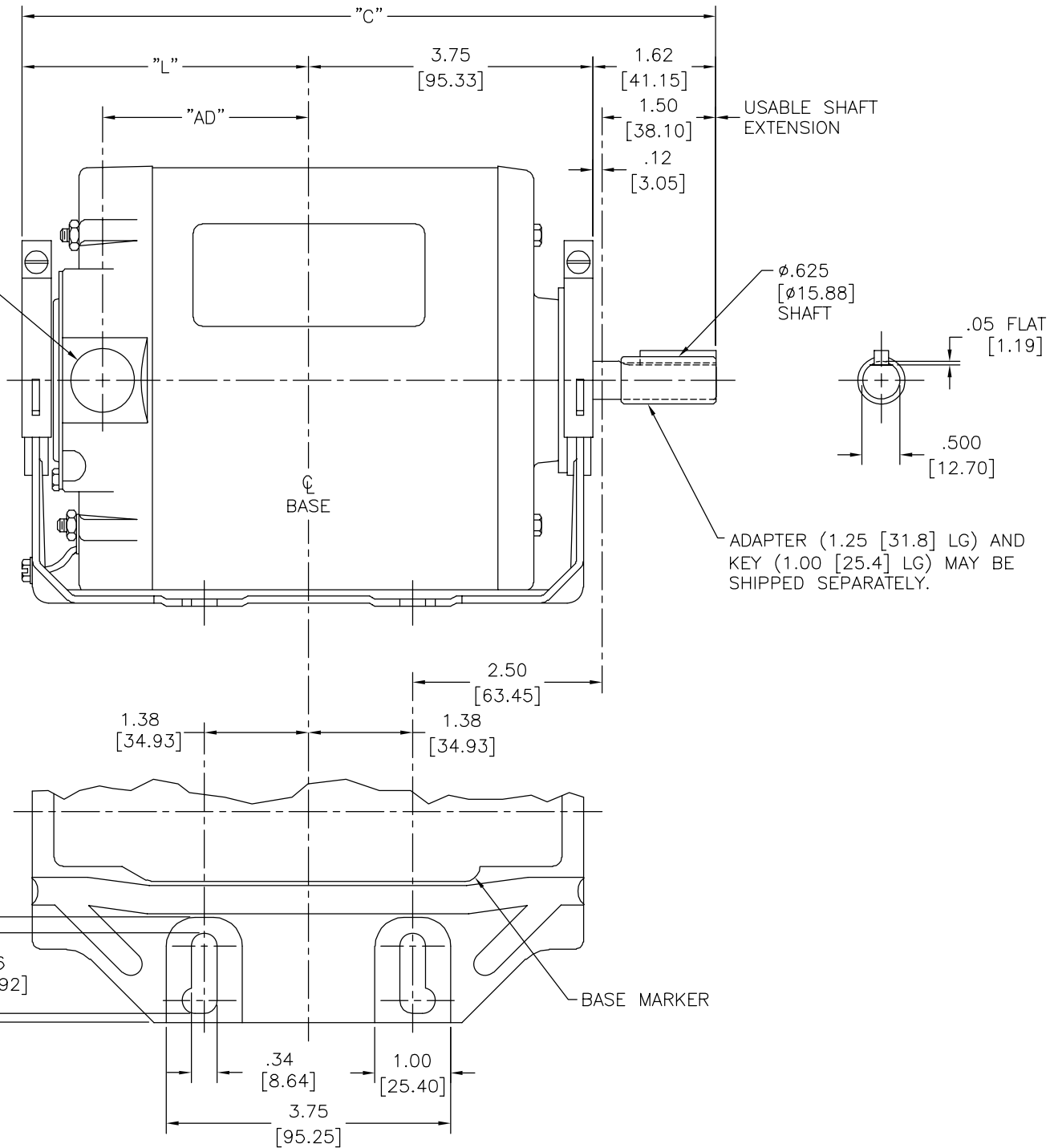
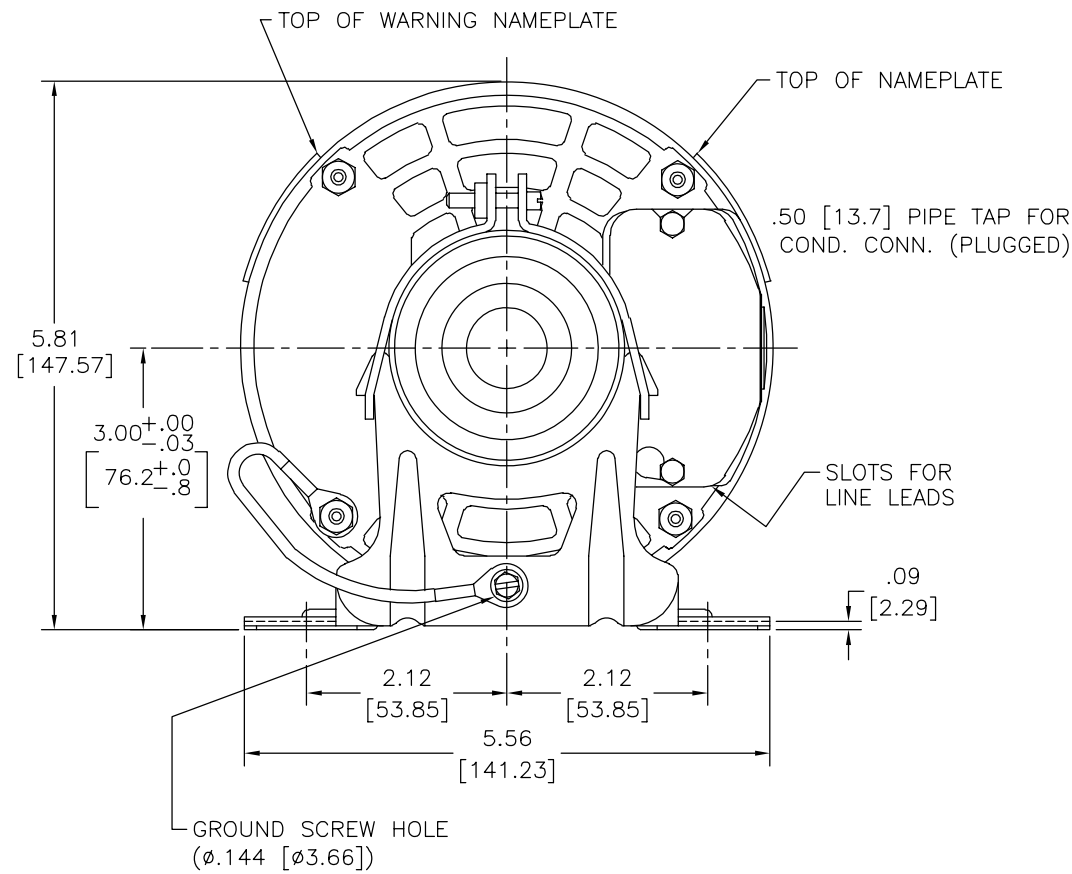


REV	ECO	REV BY	DATE	APPD	DATE
M	0026351	R.LIAN	05-25-2012	B.SHEN	05-25-2012



ADAPTER (1.25 [31.8] LG) AND KEY (1.00 [25.4] LG) MAY BE SHIPPED SEPARATELY.

4708EM	S48F05A01	D48	9.90	[251.5]	4.53	[115.4]	3.47	[88.1]
4706EM	S48F04A01	B48	9.40	[238.8]	4.03	[102.4]	2.97	[75.4]
4701EM	S48F03A01	A48	9.15	[232.4]	3.78	[96.0]	2.72	[69.1]
-----	-----	48	8.90	[226.1]	3.53	[89.7]	2.47	[62.7]
-----	-----	D48	9.90	[251.5]	4.53	[115.4]	3.47	[88.1]
-----	-----	B48	9.40	[238.8]	4.03	[102.4]	2.97	[75.4]
-----	-----	A48	9.15	[232.4]	3.78	[96.0]	2.72	[69.1]
CUSTOMER MODEL	MODEL NUMBER	FRAME	ENGLISH	METRIC	ENGLISH	METRIC	ENGLISH	METRIC
			"C"	"L"	"AD"			

GEOMETRIC CHARACTERISTICS & SYMBOLS
 □ FLATNESS
 — STRAIGHTNESS
 ∠ ANGULARITY
 ⊥ PERPENDICULARITY (SQUARENESS)
 ∥ PARALLELISM
 ○ ROUNDNESS (CIRCULARITY)
 ⌀ CYLINDRICITY
 △ PROFILE OF ANY SURFACE
 ▽ PROFILE OF ANY LINE
 ↗ RUNOUT
 ⊕ TRUE POSITION
 ⊙ CONCENTRICITY
 = SYMMETRY
 ASME Y14.5M 1994

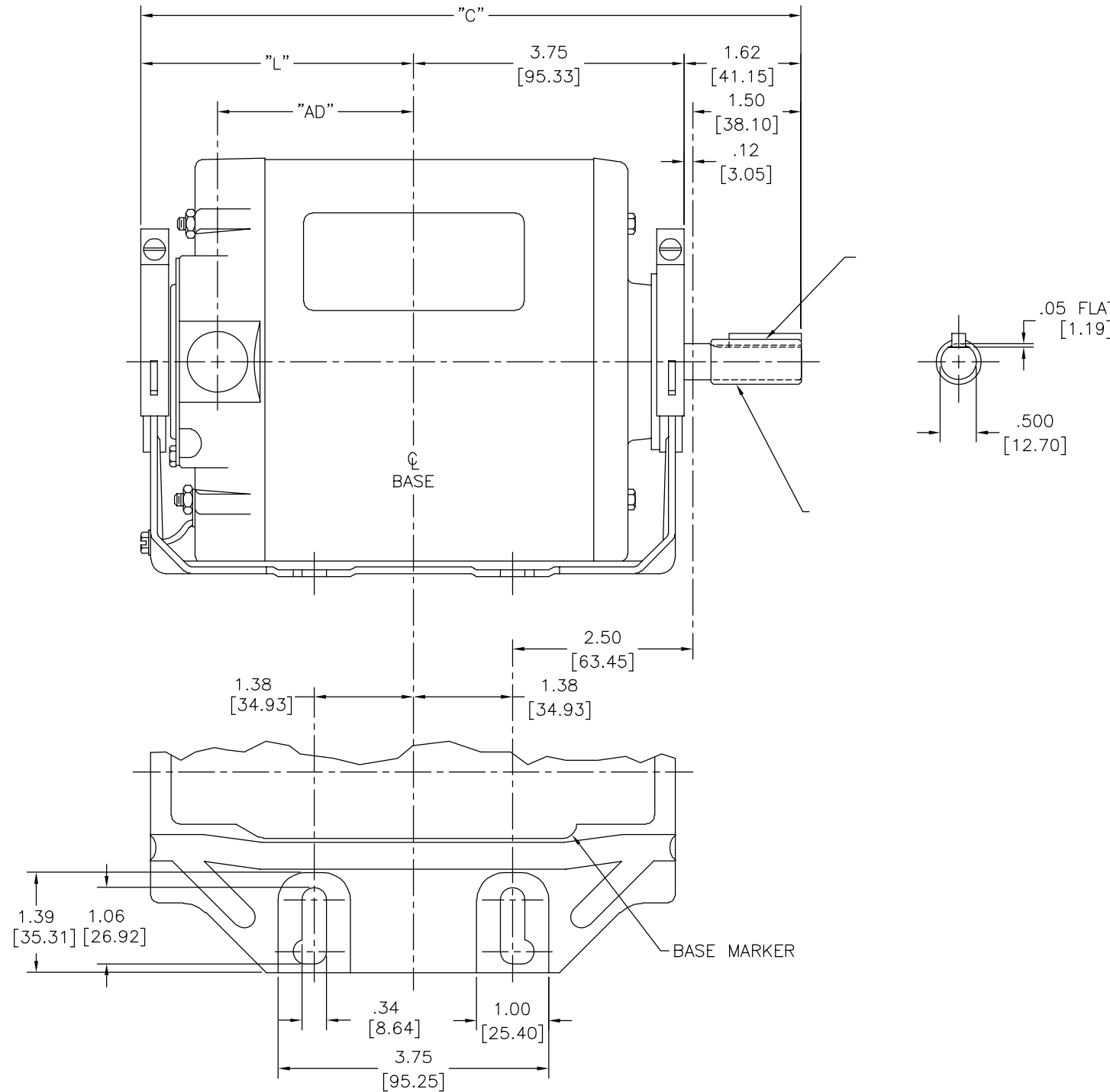
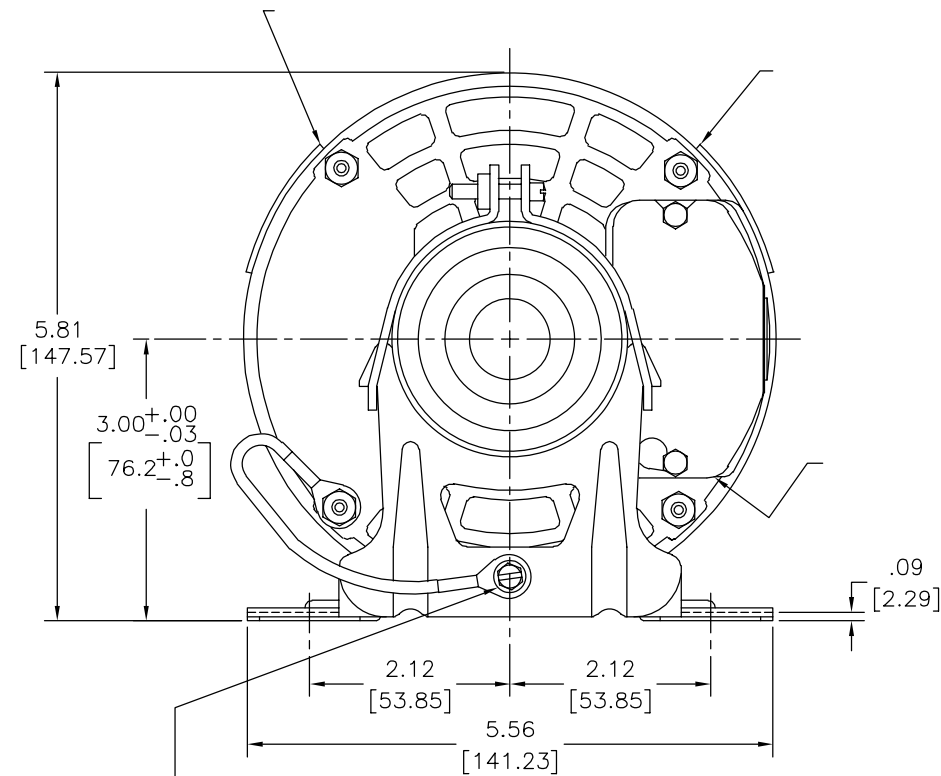
UNLESS OTHERWISE SPECIFIED DIM. TOLERANCES ARE AS FOLLOWS:
 INCH X XX XXX XXXX
 ±.1 ±.02 ±.005 ±.0005
 mm ±0.5 ±0.13 ±0.013
 ANG. ±.50 DEG
 REMOVE BURRS & BREAK SHARP EDGES:
 INCH .003-.015 mm 0.1-0.4
 CORNER FILLETS TO:
 INCH .020 mm 0.5
 MACHINE SURFACES:
 INCH 125 mm 3.2
 METRIC DIMS. SHOWN IN [BRACKETS]

DR BY: DHH 06-24-1974
 APPD: BH 06-27-1974
 THIRD ANGLE PROJECTION
 EDS DATE 11-11-2011
 FORMAT REV H
 CONFIDENTIAL: THIS DRAWING AND ITS INFORMATION ARE THE EXCLUSIVE AND CONFIDENTIAL PROPERTY OF REGAL-BELOIT CORPORATION AND ARE NOT TO BE DISCLOSED, DUPLICATED, DISTRIBUTED OR OTHERWISE USED WITHOUT THE WRITTEN CONSENT OF REGAL-BELOIT CORPORATION. -ALL RIGHTS RESERVED.

REGAL REGAL-BELOIT CORPORATION

DESCRIPTION		OUTLINE	
SIZE	C	DWG NO	1011B50
SCALE	NONE	SHEET	1

REVISION:	ECO	REVISADO POR:	FECHA:	APROBADO POR:	FECHA:
M	0026351	R.LIAN	05-25-2012	B.SHEN	05-25-2012



4708EM	S48F05A01	D48	9.90	[251.5]	4.53	[115.4]	3.47	[88.1]
4706EM	S48F04A01	B48	9.40	[238.8]	4.03	[102.4]	2.97	[75.4]
4701EM	S48F03A01	A48	9.15	[232.4]	3.78	[96.0]	2.72	[69.1]
-----	-----	48	8.90	[226.1]	3.53	[89.7]	2.47	[62.7]
-----	-----	D48	9.90	[251.5]	4.53	[115.4]	3.47	[88.1]
-----	-----	B48	9.40	[238.8]	4.03	[102.4]	2.97	[75.4]
-----	-----	A48	9.15	[232.4]	3.78	[96.0]	2.72	[69.1]
				"C"		"L"		"AD"

CARACTERISTICAS DE GEOMETRIA Y SIMBOLOS
 ▽ PLANICIDAD
 — RECTITUD
 < ANGULARIDAD
 ⊥ PERPENDICULARIDAD (A ESCUADRA)
 // PARALELISMO
 ○ REDONDEZ (CIRCULARIDAD)
 ∅ CILINDRICIDAD
 △ PERFIL DE CUALQUIER SUPERFICIE
 ∩ PERFIL DE CUALQUIER LINEA
 ↗ VARIACION
 ⊕ POSICION REAL
 ⊙ CONCENTRICIDAD
 = SIMETRIA

A MENOS QUE SE ESPECIFIQUE DE OTRA MANERA, LAS TOLERANCIAS DE LAS DIMS; SON LAS SIGUIENTES:
 PULG ±.1 ±.02 ±.005 ±.0005
 mm ±0.5 ±0.13 ±0.013
 ANG. ± 50 GRADOS
 ELIMINAR REBABAS Y ORILLAS FILOSAS DEL BORDE.
 PULG .003-.015 mm 0.1-0.4
 FILETEAR ESQUINA: PULG .020 mm 0.5
 MAQUINAR SUPERFICIES
 PULG 125 mm .32

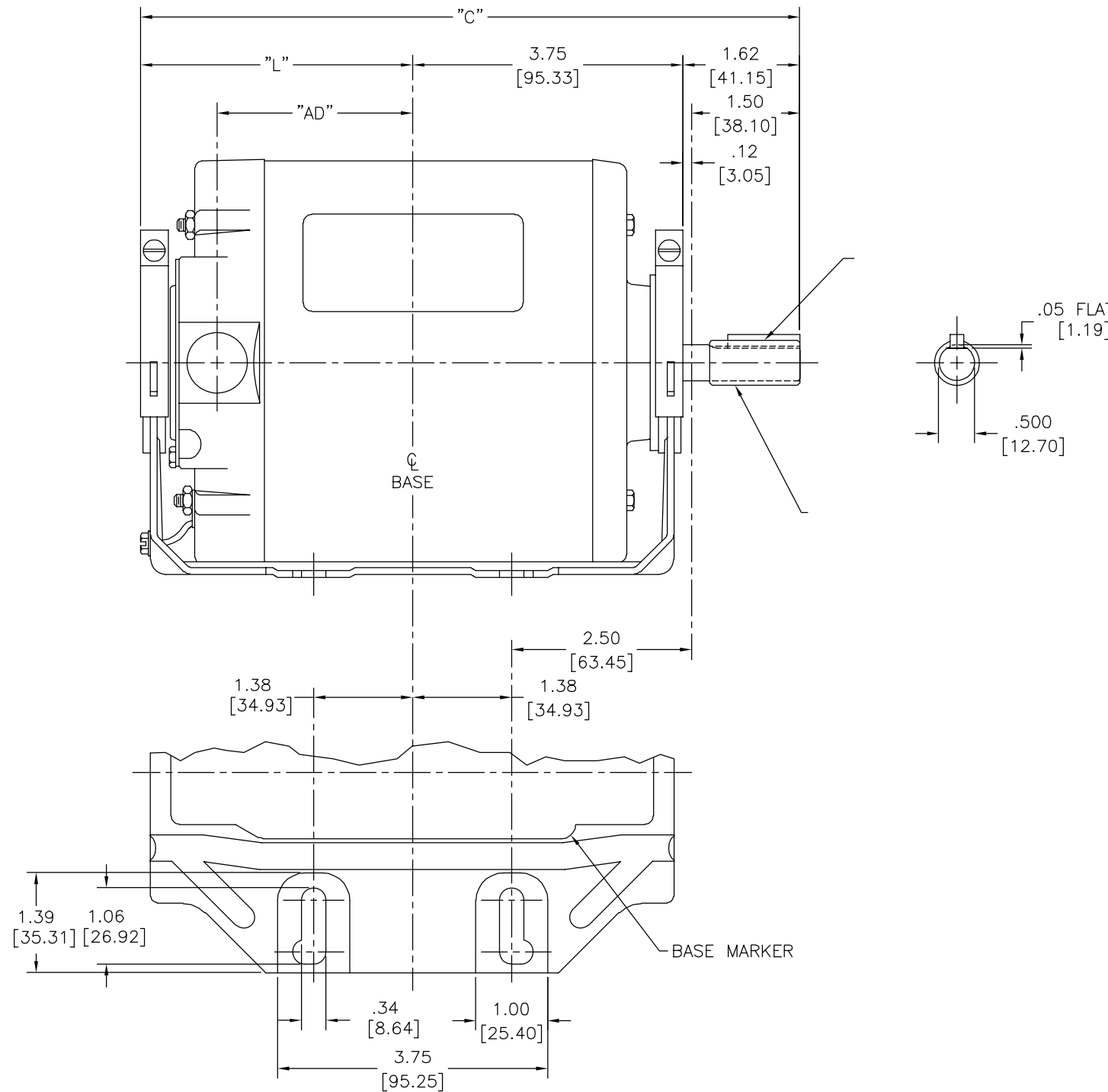
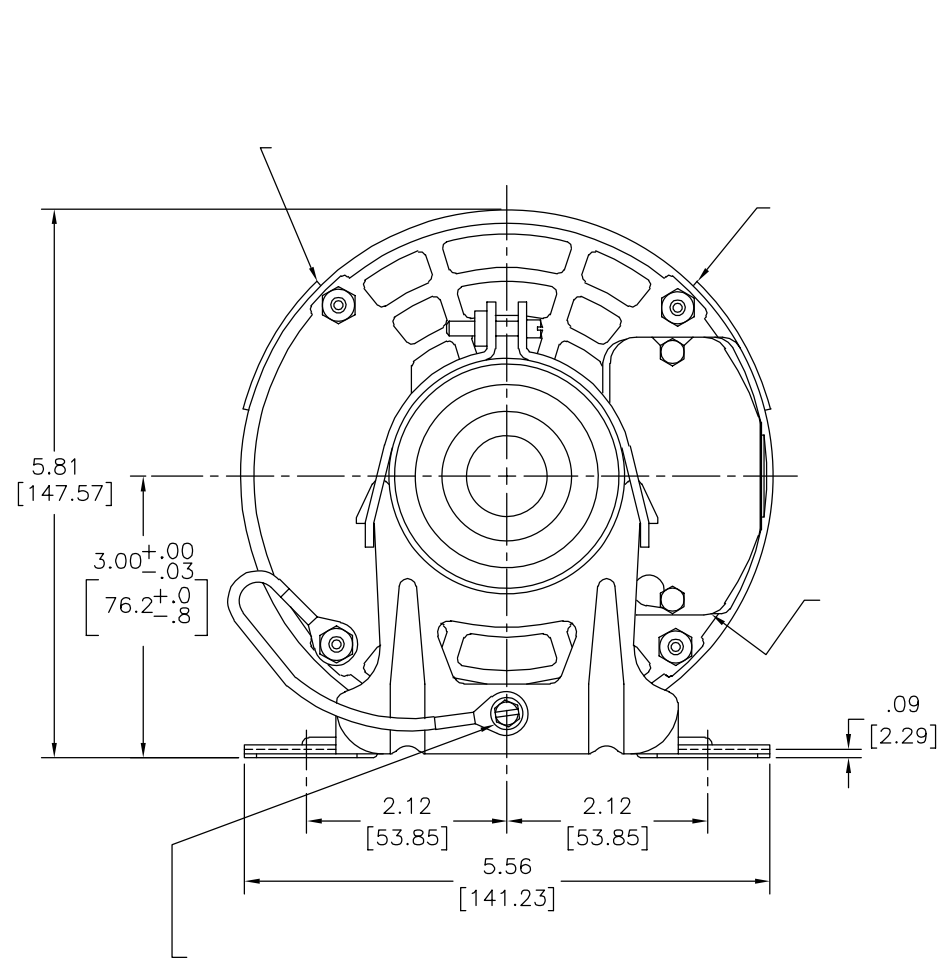
DIBUJADO POR: DHH 06-24-1974
 APROBADO POR: BH 06-27-1974
 TERCER ANGULO DE PROYECCION
 CONFIDENCIAL: ESTE DIBUJO Y SU INFORMACION SON PROPIEDAD DE USO EXCLUSIVO Y CONFIDENCIAL DE REGAL-BELOIT CORPORATION. Y NO DEBERAN SER REVELADOS, DUPLICADOS, DISTRIBUIDOS O USARSE DE OTRA MANERA SIN EL CONSENTIMIENTO ESCRITO DE REGAL-BELOIT CORPORATION. -TODOS LOS DERECHOS RESERVADOS.

REGAL REGAL-BELOIT CORPORATION
 DESCRIPCION: OUTLINE
 TAMAÑO: C NUMERO DE DIBUJO: 1011B50
 ESCALA: NONE HOJA: 1

D
C
B
A

D
C
B
A

版本	ECO	编制	日期	批准	日期
M	0026351	R.LIAN	05-25-2012	B.SHEN	05-25-2012



4708EM	S48F05A01	D48	9.90	[251.5]	4.53	[115.4]	3.47	[88.1]
4706EM	S48F04A01	B48	9.40	[238.8]	4.03	[102.4]	2.97	[75.4]
4701EM	S48F03A01	A48	9.15	[232.4]	3.78	[96.0]	2.72	[69.1]
-----	-----	48	8.90	[226.1]	3.53	[89.7]	2.47	[62.7]
-----	-----	D48	9.90	[251.5]	4.53	[115.4]	3.47	[88.1]
-----	-----	B48	9.40	[238.8]	4.03	[102.4]	2.97	[75.4]
-----	-----	A48	9.15	[232.4]	3.78	[96.0]	2.72	[69.1]
				"C"		"L"		"AD"

- 形位公差
 □ 平面度
 — 直线度
 < 倾斜度
 ⊥ 垂直度
 // 平行度
 ○ 圆度
 ⊙ 圆柱度
 △ 面轮廓度
 ⊖ 线轮廓度
 ⤴ 圆跳动
 ⊕ 位置度
 ⊗ 同轴度
 ≡ 对称度

ASME Y14.5M 1994

除另有注明
 尺寸公差如下:
 英寸 X XX XXX XXXX
 毫米 ±0.1 ±0.02 ±0.005 ±0.0005
 角度 ±.50 度
 清理毛刺和尖棱
 英寸 .003-.015 毫米 0.1-0.4
 内圆角
 英寸 .020 毫米 0.5
 表面粗糙度
 英制 125 米制 3.2
 米制尺寸显示在 []

绘图: DHH 06-24-1974
 批准: BH 06-27-1974
 第三角投影
 图纸格式发布日期 11-11-2011
 图纸格式版本 H
 机密: 本图纸及相关信息所有权归REGAL-BELOIT CORPORATION
 未经REGAL-BELOIT CORPORATION书面授权, 不得泄露、
 复制、传播或作其他用途。—版权所有

REGAL REGAL-BELOIT CORPORATION
 名称: OUTLINE
 图幅: C 图号: 1011B50
 比例: NONE 页号: 1