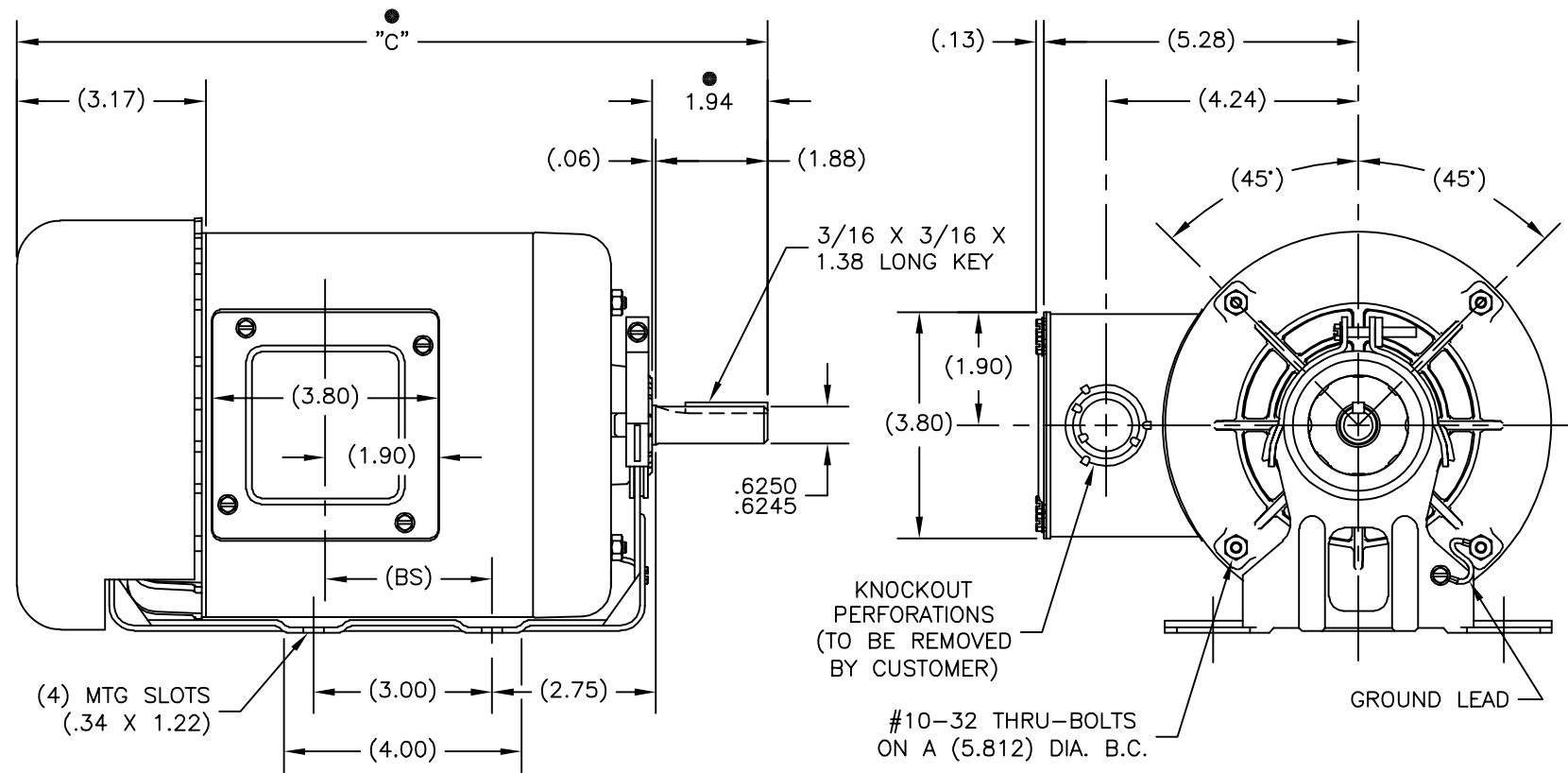
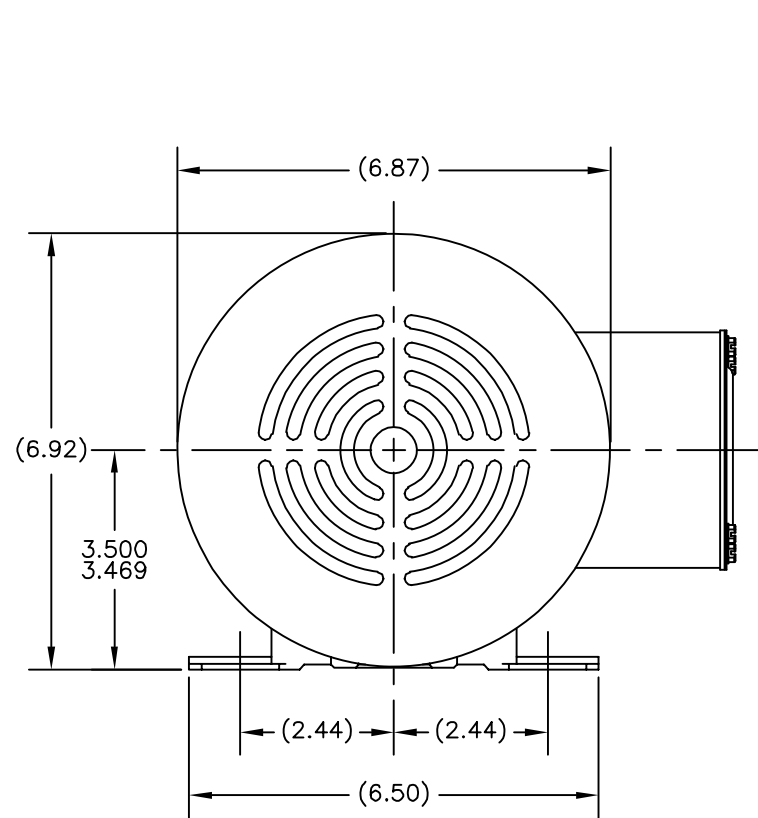


GROUP	TYPE	FRAME	"C"	(BS)
-01	SP	K56	12.61	2.80
-02				
-03				

REV	DATE	ECN	DESCRIPTION	REV BY	APPD
3	2000/03/03	OOM17351	ADDED NOTE TO SPECIFY "KNOCKOUTS REMOVED BY CUSTOMER".	davhol	

ALL DIMENSIONS SHOWN IN PARENTHESIS ARE REFERENCE DIMENSIONS. ALL OTHER DIMENSIONS ARE TOLERANCED PER THE FOLLOWING CHART UNLESS OTHERWISE SPECIFIED.

"C" DIM. = +/- .055  
 SHAFT EXT. = +/- .034  
 LEAD LENGTHS = +/- 1.00  
 EXTENDED THRU-BOLTS = +/- .050  
 ANGULAR DIM. = +/- 2'



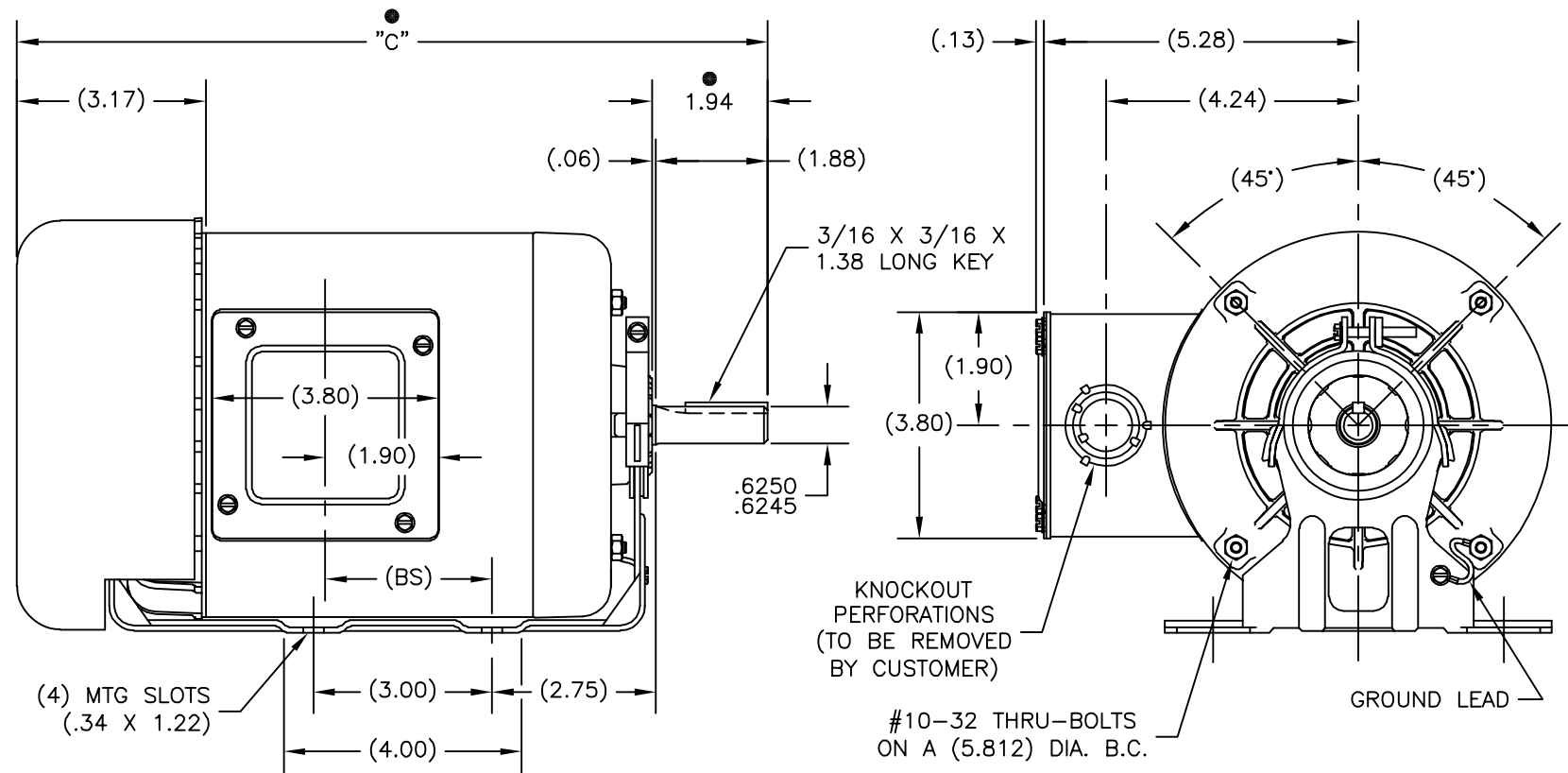
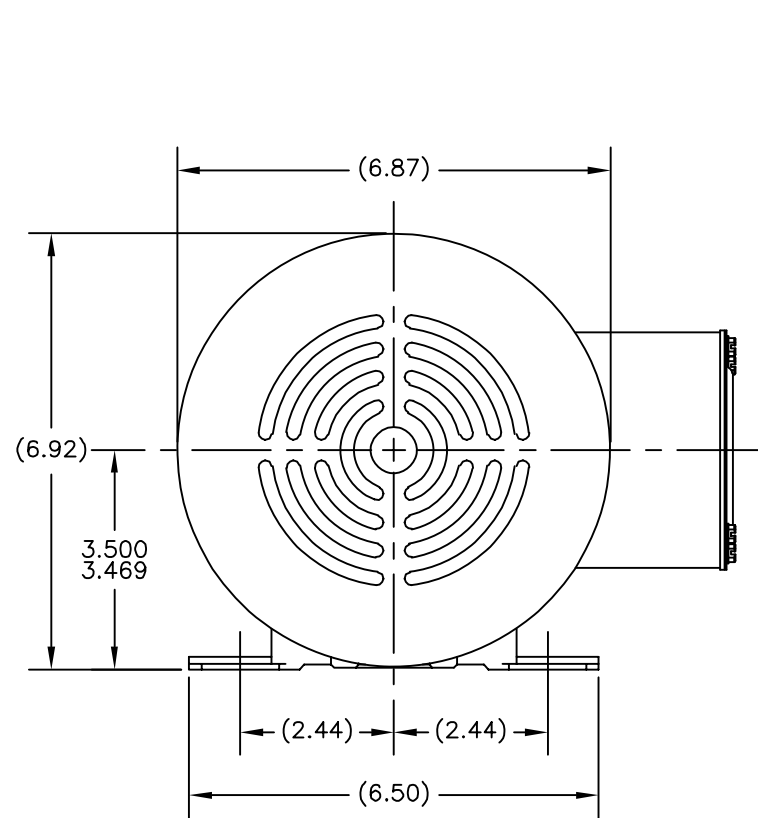
AUTOCAD FORM 3	UNLESS OTHERWISE SPECIFIED DIM ARE IN INCHES .X = ± .1 .XX = ± .02 .XXX = ± .005 .XXXX = ± .0005 ANG = ± .5	DR BY: davhol 2000/01/11	1181 CORPORATE LAKE DRIVE ST. LOUIS, MISSOURI 63132
	THE INFORMATION HEREON IS THE PROPERTY OF MAGNETEK INC. AND/OR ITS SUBSIDIARIES. WITHOUT WRITTEN PERMISSION, ANY COPYING, TRANSMITTAL TO OTHERS, AND ANY USE EXCEPT THAT FOR WHICH IT IS LOANED, IS PROHIBITED.	CK BY:	
		ISS:	SIZE C DWG NO 195083
	THIRD ANGLE PROJECTION		REV 3
		SCALE 1=1	SHEET 1 OF 1

GROUP	TYPE	FRAME	"C"	(BS)
-01	SP	K56	12.61	2.80
-02				
-03				

REV	DATE	ECN	DESCRIPTION	REV BY	APPD
3	2000/03/03	OOM17351	ADDED NOTE TO SPECIFY "KNOCKOUTS REMOVED BY CUSTOMER".	davhol	

ALL DIMENSIONS SHOWN IN PARENTHESIS ARE REFERENCE DIMENSIONS. ALL OTHER DIMENSIONS ARE TOLERANCED PER THE FOLLOWING CHART UNLESS OTHERWISE SPECIFIED.

"C" DIM. = +/- .055  
 SHAFT EXT. = +/- .034  
 LEAD LENGTHS = +/- 1.00  
 EXTENDED THRU-BOLTS = +/- .050  
 ANGULAR DIM. = +/- 2'



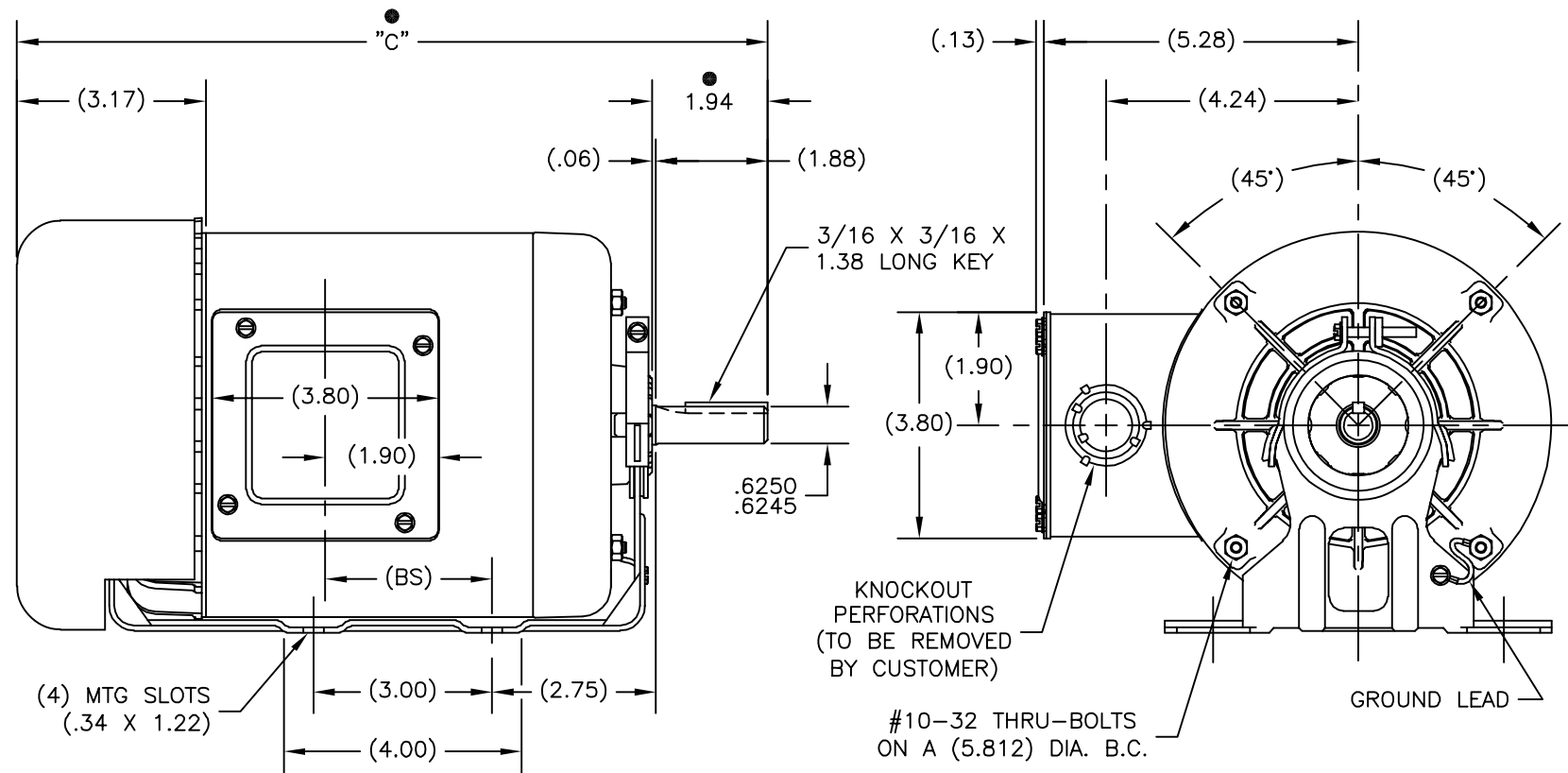
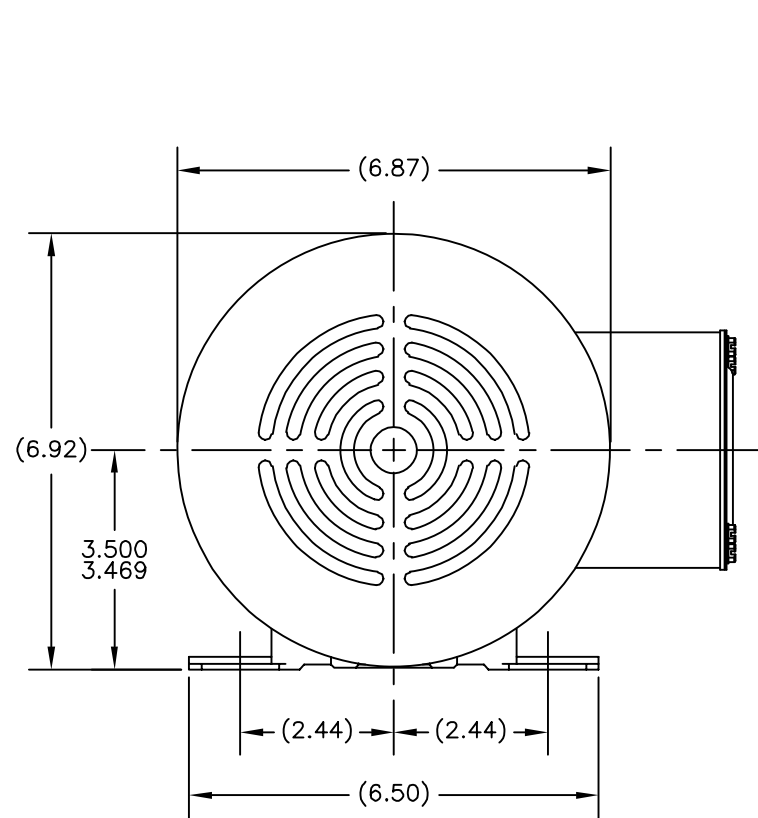
AUTOCAD FORM 3	UNLESS OTHERWISE SPECIFIED DIM ARE IN INCHES .X = ± .1 .XX = ± .02 .XXX = ± .005 .XXXX = ± .0005 ANG = ± .5	DR BY: davhol 2000/01/11	1181 CORPORATE LAKE DRIVE ST. LOUIS, MISSOURI 63132
	THE INFORMATION HEREON IS THE PROPERTY OF MAGNETEK INC. AND/OR ITS SUBSIDIARIES. WITHOUT WRITTEN PERMISSION, ANY COPYING, TRANSMITTAL TO OTHERS, AND ANY USE EXCEPT THAT FOR WHICH IT IS LOANED, IS PROHIBITED.	CK BY:	
		ISS:	SIZE C DWG NO 195083
	THIRD ANGLE PROJECTION		REV 3
		SCALE 1=1	SHEET 1 OF 1

GROUP	TYPE	FRAME	"C"	(BS)
-01	SP	K56	12.61	2.80
-02				
-03				

REV	DATE	ECN	DESCRIPTION	REV BY	APPD
3	2000/03/03	OOM17351	ADDED NOTE TO SPECIFY "KNOCKOUTS REMOVED BY CUSTOMER".	davhol	

ALL DIMENSIONS SHOWN IN PARENTHESIS ARE REFERENCE DIMENSIONS. ALL OTHER DIMENSIONS ARE TOLERANCED PER THE FOLLOWING CHART UNLESS OTHERWISE SPECIFIED.

"C" DIM. = +/- .055  
 SHAFT EXT. = +/- .034  
 LEAD LENGTHS = +/- 1.00  
 EXTENDED THRU-BOLTS = +/- .050  
 ANGULAR DIM. = +/- 2'



AUTOCAD FORM 3	UNLESS OTHERWISE SPECIFIED DIM ARE IN INCHES .X = ± .1 .XX = ± .02 .XXX = ± .005 .XXXX = ± .0005 ANG = ± .5	DR BY: davhol 2000/01/11	1181 CORPORATE LAKE DRIVE ST. LOUIS, MISSOURI 63132	
	THE INFORMATION HEREON IS THE PROPERTY OF MAGNETEK INC. AND/OR ITS SUBSIDIARIES. WITHOUT WRITTEN PERMISSION, ANY COPYING, TRANSMITTAL TO OTHERS, AND ANY USE EXCEPT THAT FOR WHICH IT IS LOANED, IS PROHIBITED.	CK BY:		TITLE 0056 DWG 0-LINE BB TEFC CUSHION BASE
		APPD:	SIZE C DWG NO 195083	REV 3
		ISS:	SCALE 1=1 SHEET 1 OF 1	

D  
C  
B  
A

D  
C  
B  
A

4

3

2

1

4

3

2

1