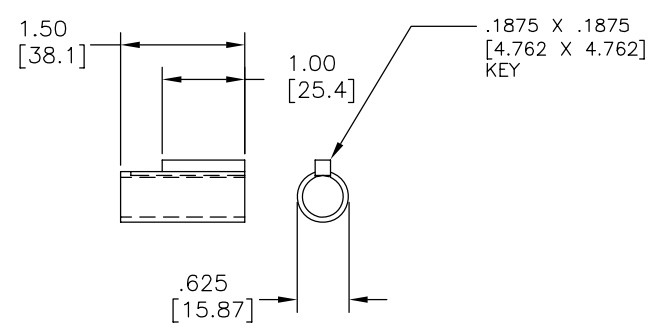
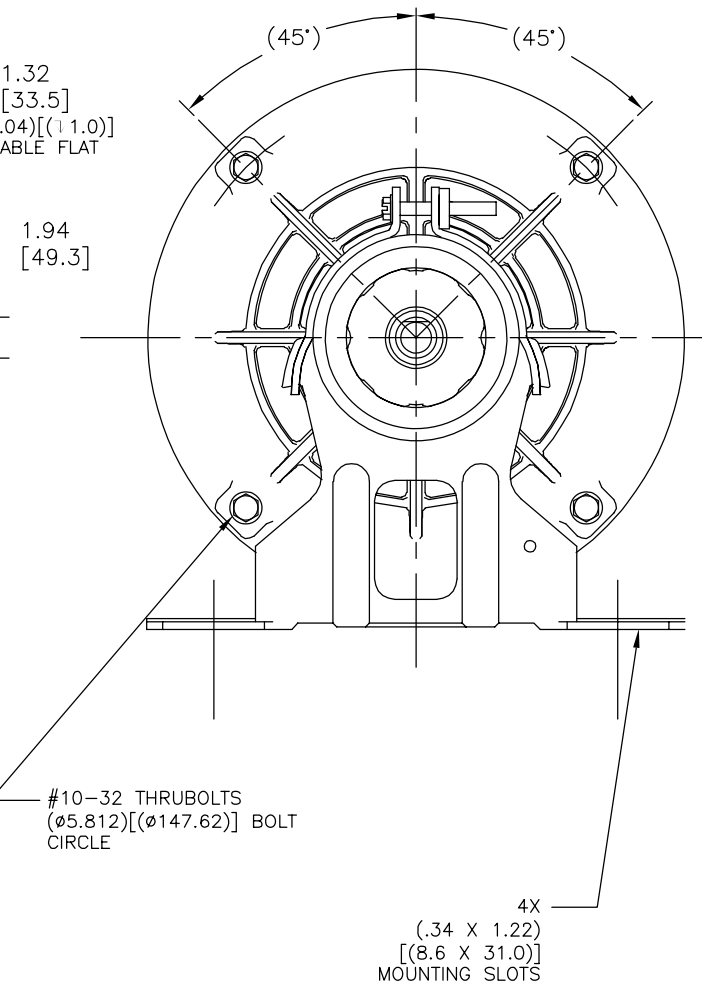
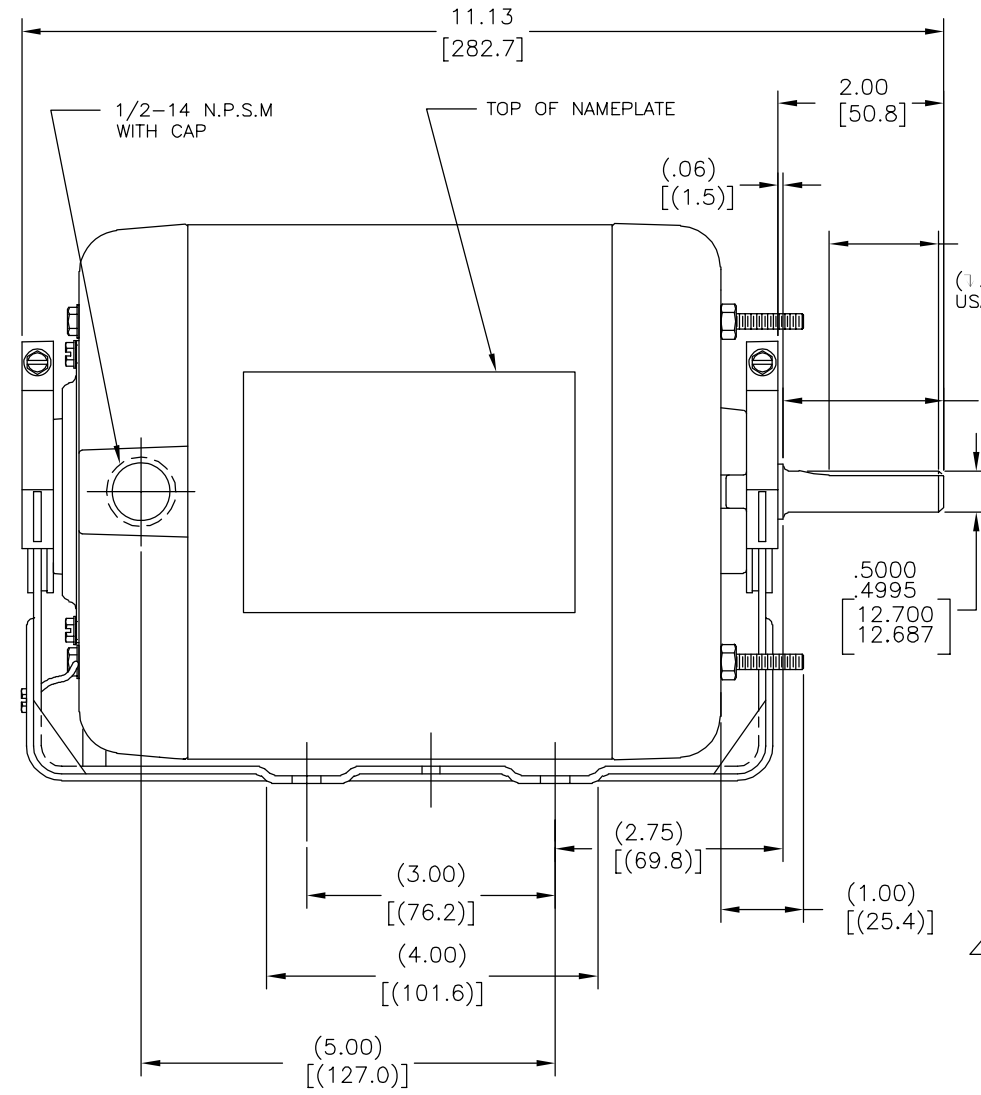
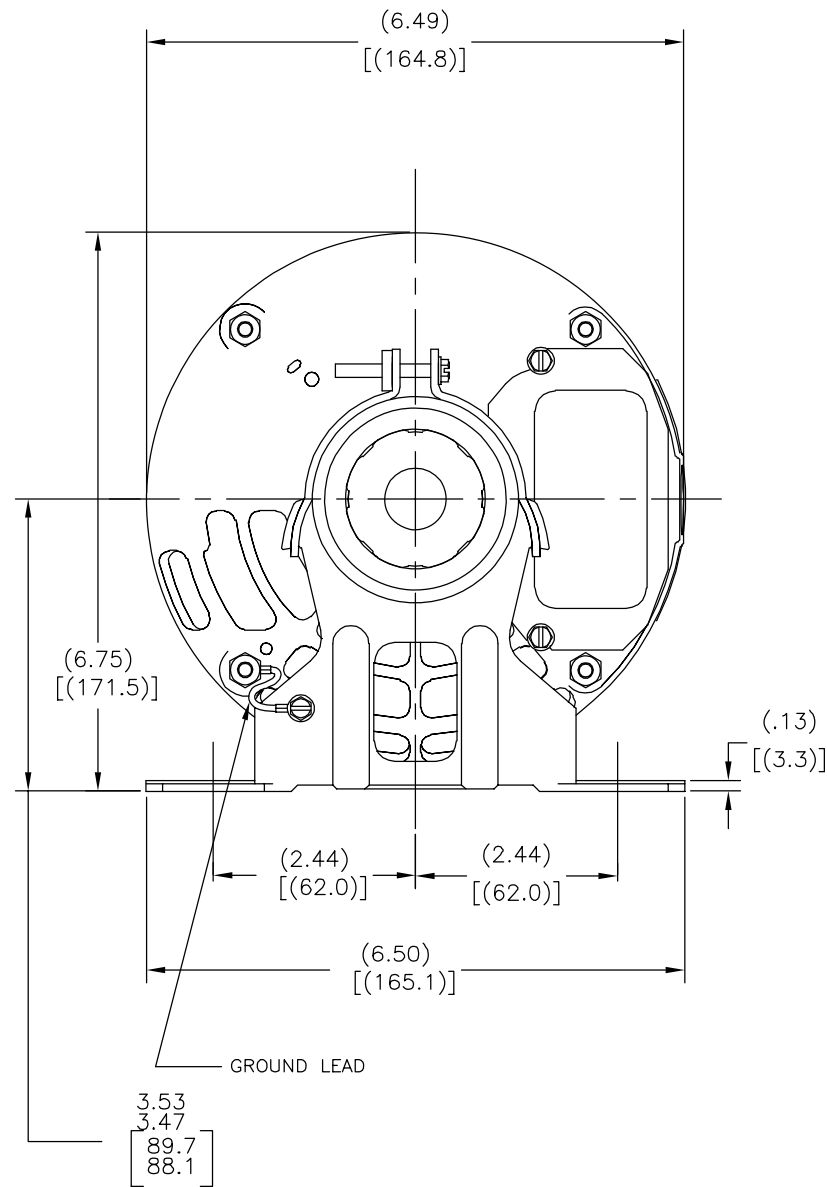


ALL DIMENSIONS SHOWN IN PARENTHESIS ARE REFERENCE DIMENSIONS. ALL OTHER DIMENSIONS ARE TOLERANCED PER THE FOLLOWING CHART UNLESS OTHERWISE SPECIFIED.

"C" DIMENSION = ±.055[1.40]
 SHAFT EXTENSION = ±.034[.86]
 LEAD LENGTHS = ±1.00[25.4]
 EXTENDED THRU-BOLTS = ±.050[1.27]
 ANGULAR DIMENSIONS = ±2'



DRAWING REVISION A	REVISION BY A.ARREOLA	DATE 07-18-2014	TOLERANCES UNLESS OTHERWISE SPECIFIED DEC. INCH mm ANGLE	DRAWN BY: D.HOLT
ECO 0055469	APPROVED BY G.GALVIREZ	DATE 07-18-2014	.X ±0.1 [±2.5] ±0.5°	DATE: 08-26-2004
ECO DESCRIPTION SEE ECO			.XX ±0.02 [±0.51]	APPROVED BY: D.HOLT
			.XXX ±0.005 [±0.127]	DATE: 08-26-2004
			.XXXX ±0.0005 [±0.0127]	REFERENCE 18874001-001
PROPRIETARY AND CONFIDENTIAL INFORMATION - THIS DOCUMENT IS THE PROPERTY OF REGAL BELOIT AMERICA, INC. (OWNER) AND CONTAINS OWNER'S PROPRIETARY INFORMATION. ANY PERSON, CORPORATION OR OTHER FIRM RECEIVING IT IS DEEMED, BY RECEIVING IT, TO AGREE THAT IT, AND/OR ANY PART OF IT, SHALL NOT BE DISCLOSED TO ANY PERSON, CORPORATION OR OTHER ENTITY, DUPLICATED, AND/OR USED, EXCEPT AS EXPRESSLY APPROVED IN WRITING IN ADVANCE BY OWNER. THIS DOCUMENT SHALL BE RETURNED TO OWNER UPON REQUEST. IT MAY BE SUBJECT TO CERTAIN RESTRICTIONS UNDER APPLICABLE EXPORT CONTROL LAWS AND REGULATIONS.			REMOVE BURRS & BREAK SHARP EDGES .003/.015 [0.076/.381] CORNER FILLETS .02 [0.51] MACHINED SURFACES 125 INCH/mm 3.2 mm SHOWN IN [BRACKETS]	DESCRIPTION MODEL-CFHP-56FR OUTLINE MATERIAL - PROCESS/FINISH - SIZE DWG NO F670A SHEET 1

D
C
B
A

D
C
B
A

4

3

2

1

4

3

2

1