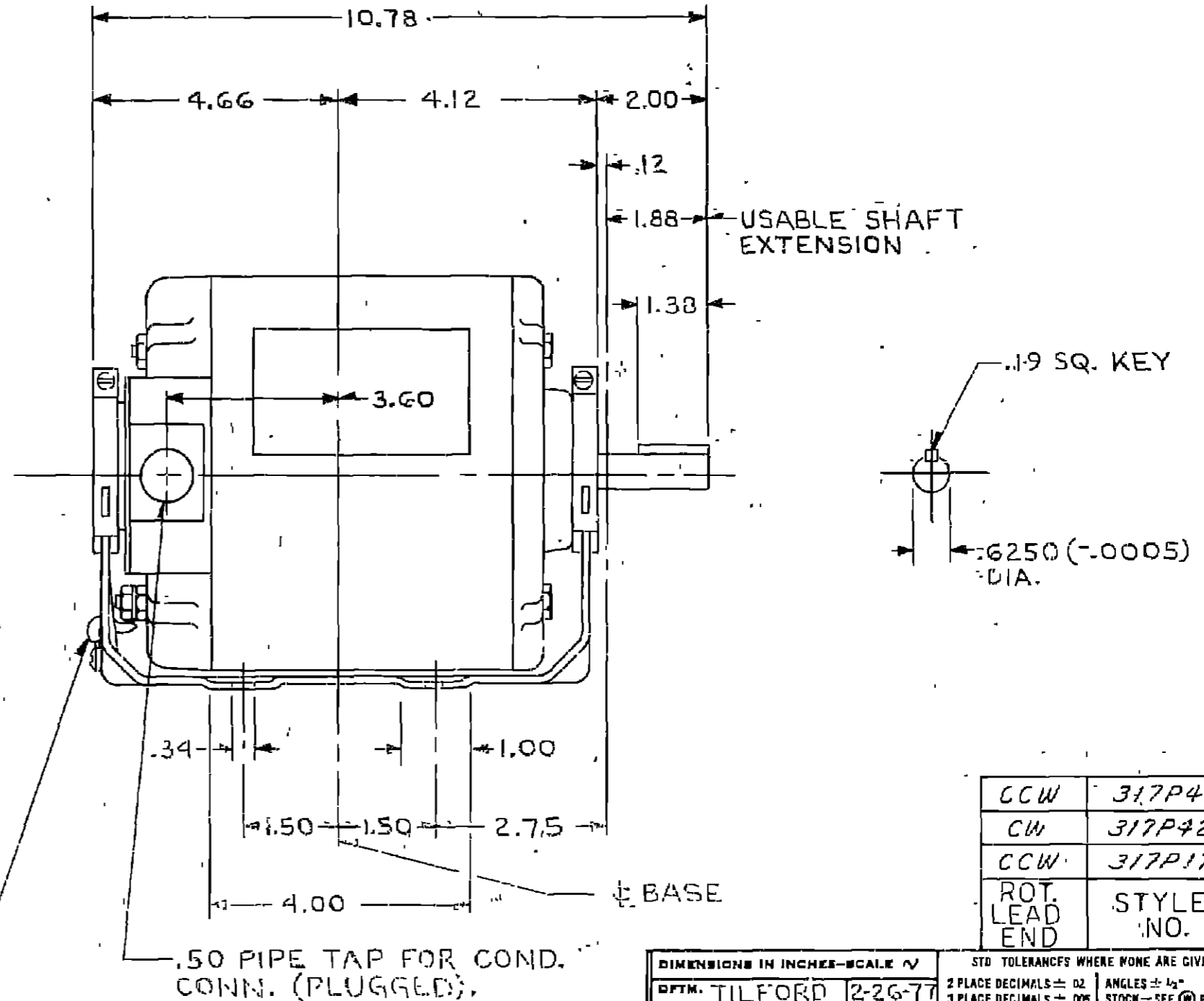
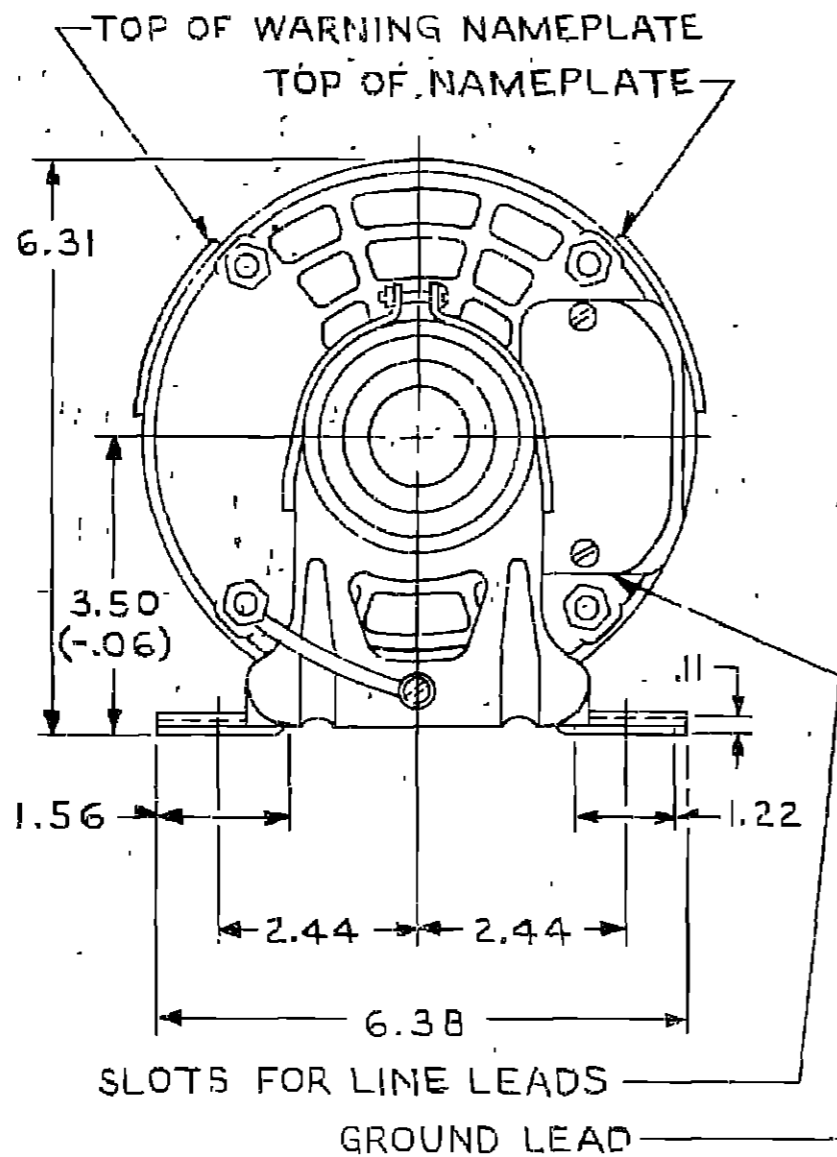


S# 317P177	1
CHANGES	
THURBOLTS WAS RD. HD. 317P427 HEATH 12.26.85 OF LORAIN 7.8.86	2
TABULATION ADDED 317P427 HEATH 7.2.86 OF LORAIN 7.7.86	3



CCW	317P428
CW	317P427
CCW	317P177
ROT. LEAD END	STYLE NO.

DIMENSIONS IN INCHES—SCALE 1/4"		STD TOLERANCES WHERE NONE ARE GIVEN	
DFTM. TILFORD	2-26-77	2 PLACE DECIMALS ± .02	ANGLES ± 1/2°
SUP DFTM		3 PLACE DECIMALS ± .005	STOCK—SEE PD SPEC
ENGR. J. J. ...	8.3.77	MFG TOLERANCES PER LA 4000	
MFG. ...	8-1-77	TITLE FR. B56	
REF. DWG. 3923C24F02		OUTLINE	
Westinghouse ELECTRIC CORPORATION LIMA OHIO, USA LIMA MOTOR DIVISIONS		DWG. NO. 1018B02	

B#1(C1)