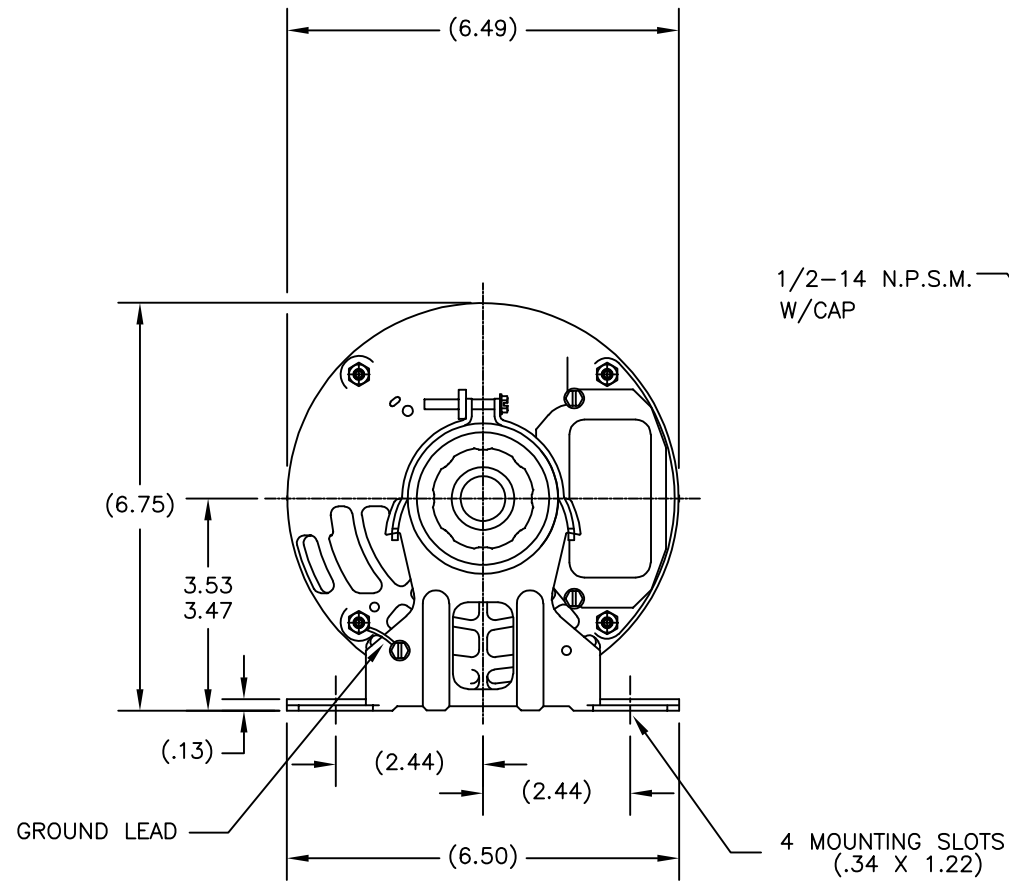
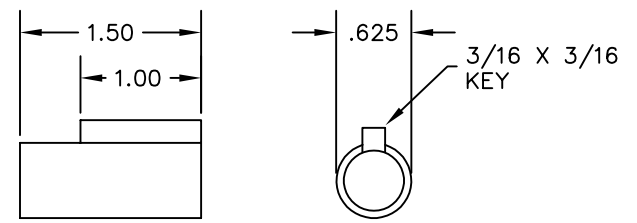
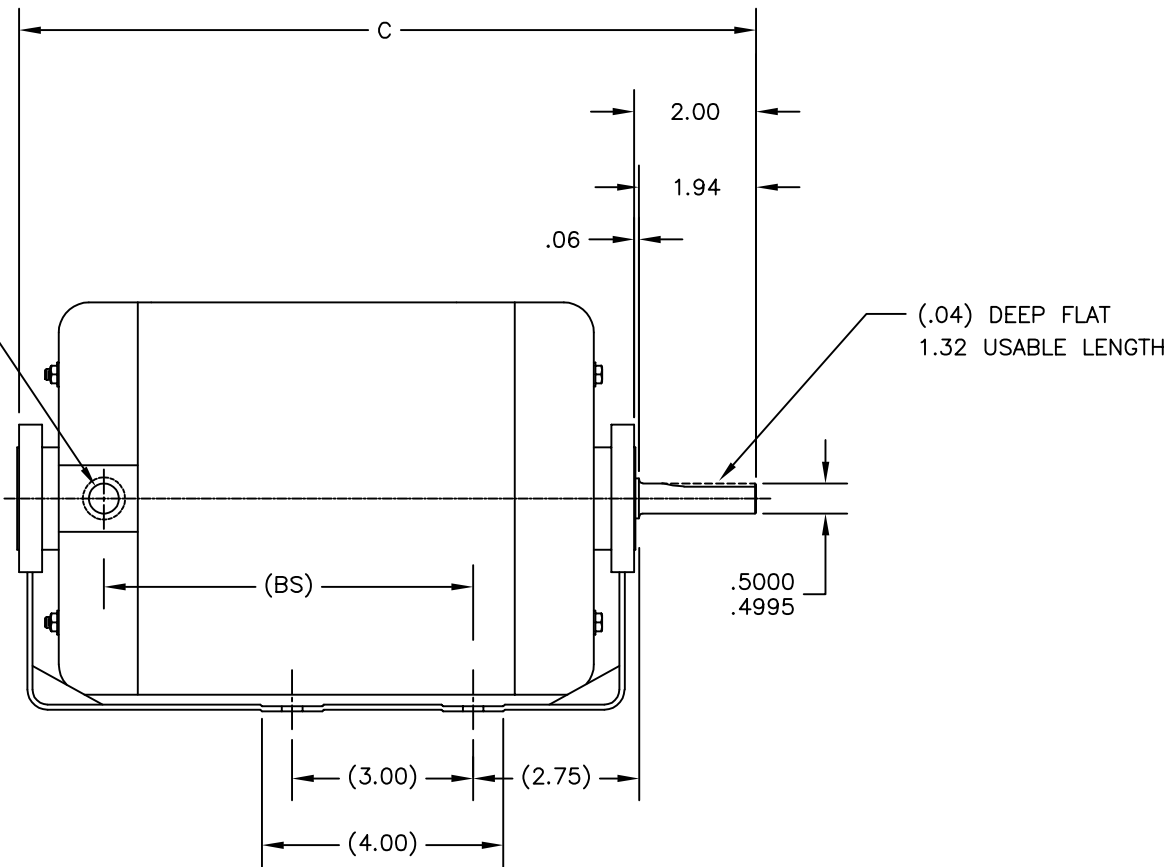


REV	REFERENCE ECN	REFERENCE PROJECT	REV BY	DATE	APPD	DATE
C		01571201	jsilva	02-21-2006	abaugh	02-21-2006



1/2-14 N.P.S.M.  
W/CAP

4 MOUNTING SLOTS  
(.34 X 1.22)



SLEEVE KIT  
SCALE 1/1

GROUP	TYPE	FRAME	C	(BS)
-01	SPS	J56Z	11.13	5.00
-02				

ALL DIMENSIONS SHOWN IN PARENTHESIS ARE REFERENCE DIMENSIONS. ALL OTHER DIMENSIONS ARE TOLERANCED PER THE FOLLOWING CHART UNLESS OTHERWISE SPECIFIED.

"C" DIM. = +/- .055  
 SHAFT EXT. = +/- .034  
 LEAD LENGTHS = +/- 1.00  
 EXTENDED THRU-BOLTS = +/- .050

GEOMETRIC CHARACTERISTICS & SYMBOLS

- ∇ FLATNESS
- STRAIGHTNESS
- ∠ ANGULARITY
- ⊥ PERPENDICULARITY (SQUARENESS)
- // PARALLELISM
- ROUNDNESS (CIRCULARITY)
- ⊘ CYLINDRICITY
- △ PROFILE OF ANY SURFACE
- ⌒ PROFILE OF ANY LINE
- ↗ RUNOUT
- ⊕ TRUE POSITION
- ◎ CONCENTRICITY
- ≡ SYMMETRY

UNLESS OTHERWISE SPECIFIED DIM. TOLERANCES ARE AS FOLLOWS:

X XX XXX XXXX  
 INCH ±.1 ±.02 ±.005 ±.0005  
 mm ±0.5 ±0.13 ±0.13

ANG. ±.50 DEG  
 REMOVE BURRS & BREAK SHARP EDGES:  
 INCH .003-.015 mm 0.1-0.4

CORNER FILLETS TO:  
 INCH .020 mm 0.5

MACHINE SURFACES:  
 INCH 125 mm 3.2

METRIC DIMS. SHOWN IN [BRACKETS]

DR BY: PLM	07/01/1987
APPD:	
THIRD ANGLE PROJECTION	EDS DATE FORMAT REV B
CONFIDENTIAL: THIS DRAWING AND ITS INFORMATION ARE THE EXCLUSIVE AND CONFIDENTIAL PROPERTY OF A.O. SMITH CORP. AND ARE NOT TO BE DISCLOSED, DUPLICATED, DISTRIBUTED OR OTHERWISE USED WITHOUT THE WRITTEN CONSENT OF A.O. SMITH CORP. -ALL RIGHTS RESERVED.	

<b>A.O. SMITH</b> ELECTRICAL PRODUCTS COMPANY TIPP CITY, OHIO		A DIVISION OF A. O. SMITH CORPORATION COPYRIGHT 1995	
DESCRIPTION 0056 DWG 0-LINE BB OP/EN CUSHION BASE			
SIZE C	DWG NO 174695		
SCALE .5=1			SHEET 1