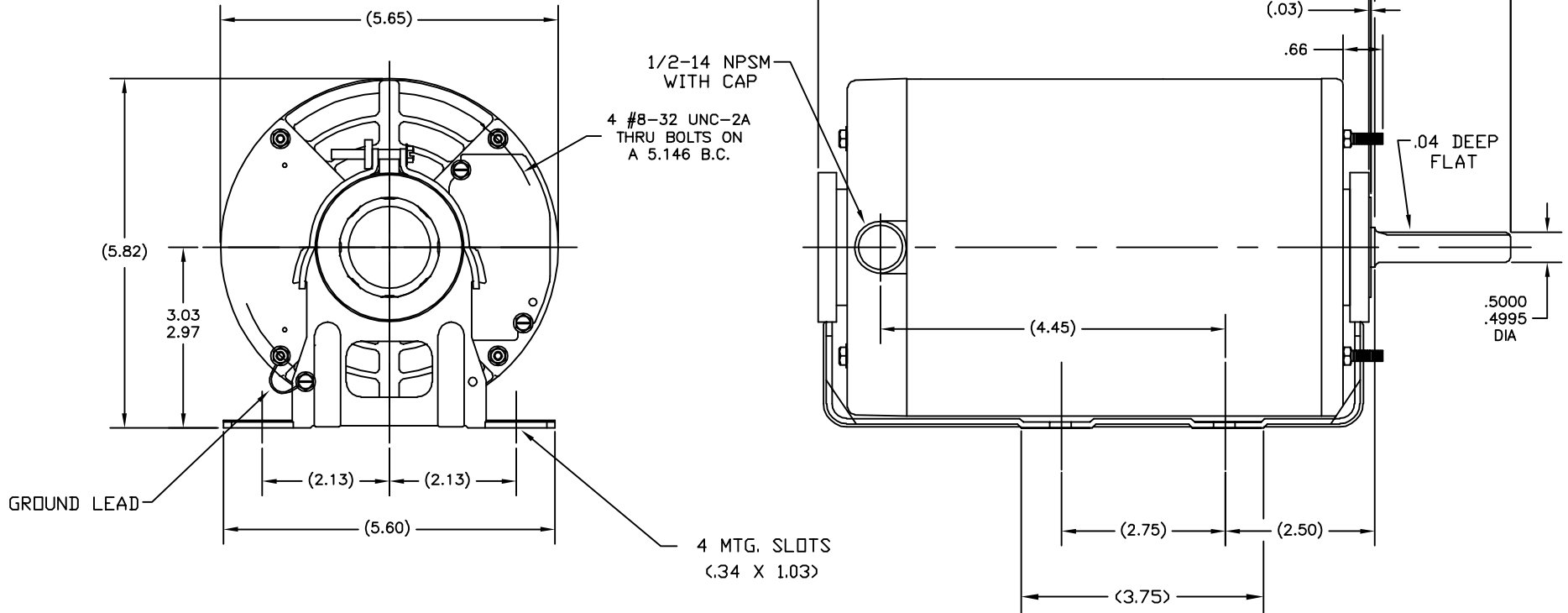


| REV | DATE | PROJECT | DESCRIPTION | REV BY | APPD |
|-----|------------|----------|-------------|--------|------|
| A | 11/19/2004 | 00498101 | NEW | jblank | |

ALL DIMENSIONS SHOWN IN PARENTHESIS ARE REFERENCE DIMENSIONS. ALL OTHER DIMENSIONS ARE TOLERANCED PER THE FOLLOWING CHART UNLESS OTHERWISE SPECIFIED.

"C" DIM. = +/- .055
 SHAFT EXT. = +/- .034
 LEAD LENGTHS = +/- 1.00
 EXTENDED THRU-BOLTS = +/- .050
 ANGULAR DIMS. = +/- 2 DEGS.



| MODEL | PERFORMANCE CURVE # |
|--------|---------------------|
| F344V1 | C26080 |

| | | | | | |
|----------------|----------------------------------------------------------------------------------------------------------------------------------------------------------------------------------------------------------------------------------------------------------------|------------------------|-----------|---------------------------------------------------------------------|---------------------------------------------------------|
| C-CODE: | UNLESS OTHERWISE SPECIFIED DIM ARE IN INCHES X = ± .1 XX = ± .02 XXX = ± .005 XXXX = ± .0005 ANG = ± .3 | DR BY: JBLANK | 9/13/2004 | A. O. SMITH ELECTRICAL PRODUCTS COMPANY TOP CITY, OHIO | A DIVISION OF A. O. SMITH CORPORATION COPYRIGHT 1995 |
| CLASS: | CONFIDENTIAL: THIS DRAWING AND ITS INFORMATION ARE THE EXCLUSIVE AND CONFIDENTIAL PROPERTY OF A. O. SMITH CORP. AND ARE NOT TO BE DISCLOSED, DUPLICATED, DISTRIBUTED OR OTHERWISE USED WITHOUT THE WRITTEN CONSENT OF A. O. SMITH CORP. - ALL RIGHTS RESERVED. | CK BY: | | TITLE: 0048 DWG D-LINE BB OP/EN | |
| AUTOCAD FORM 3 | | APPD: | | SIZE: C | DWG NO: 18884401-001 |
| | | ISS: | | SCALE: | REV: A |
| | | THIRD ANGLE PROJECTION | | SHEET 1 OF 1 | |