

4

3

2

1

REV	ECO	REV BY	DATE	APPD	DATE
C	ECO-0024331	MGU	02-22-2012	B.SHEN	02-22-2012

GENERAL INFORMATION:

SHAFT RUNOUT: .001[.03] T.I.R. PER INCH LENGTH OF EXTENSION.

END PLAY: .010[.25] TO .063[1.60]

BEARINGS: SLEEVE

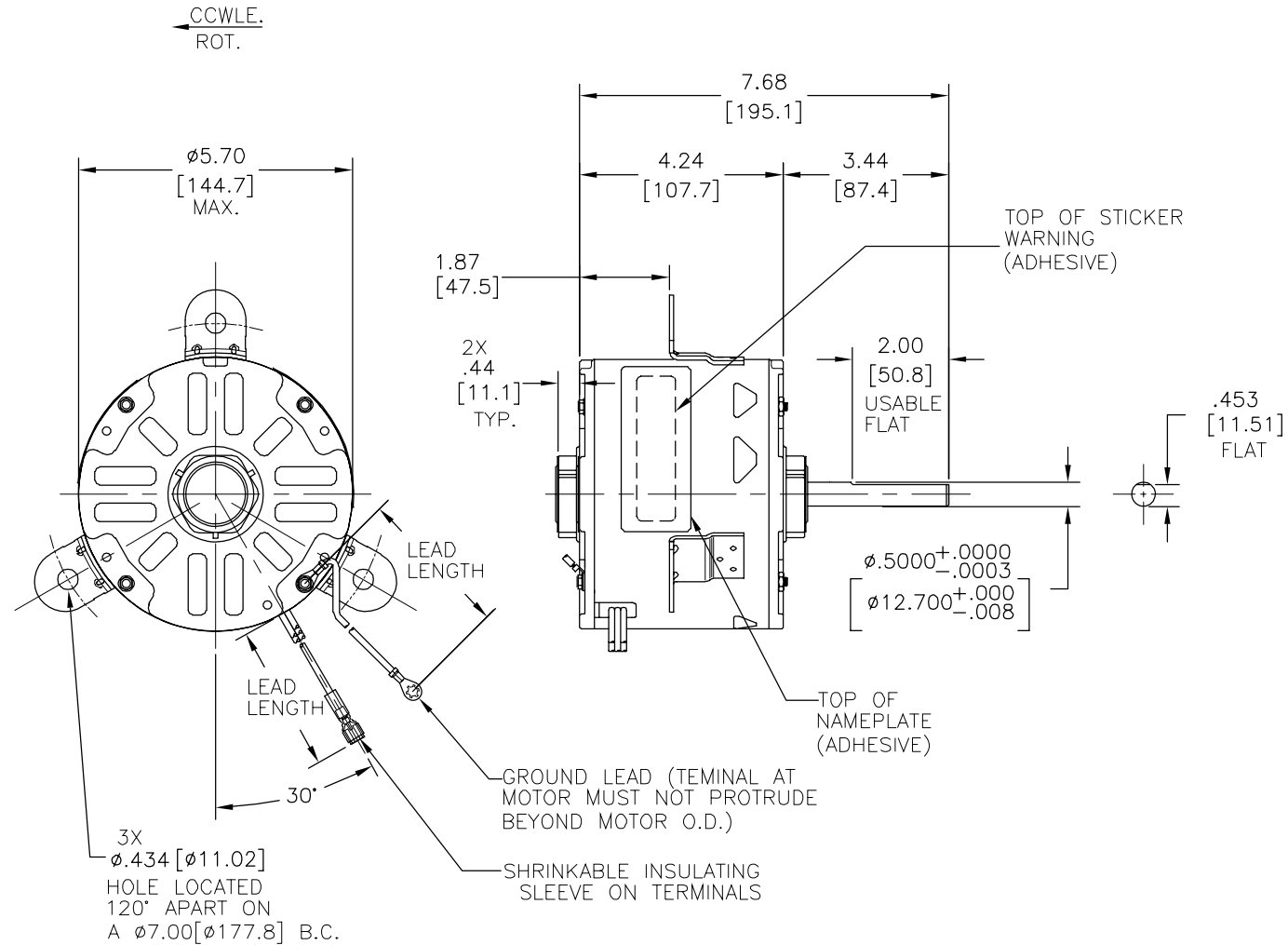
MOUNTING POSITION: HORIZONTAL

ELECTRICAL DATA:

OVERLOAD PROTECTOR: AUTOMATIC RESET (T.I. 7AM 036)

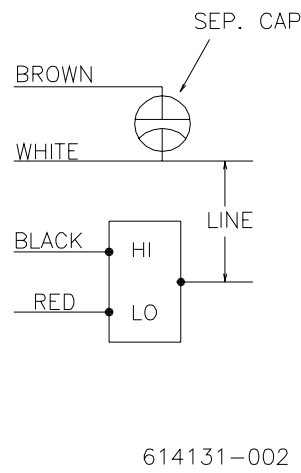
LEADS: NO. 16 GA., .06[1.5] THK., EPDM, 125°C INSUL.

GROUND LEAD: NO. 18 GA. .03[.8] THK., GREEN INSUL.



NAMEPLATE DATA: EXTERNAL CONNECTION DIAGRAM

MODEL NO.: F48U89A01
 CUST. P/N: OCF1036
 HP: 1/3
 ROT.: CCWLE
 RPM: 1075/2 SPD.
 TYPE: UF
 FRAME: 48Y
 VOLTS: 208-230
 PH: 1
 AMPS: 2.5
 HZ: 60
 INS.: B
 AMB.: 60° C
 DUTY: AIR OVER
 CODE: -
 CAP.: 5 MFD/370 V
 ENCL: SEMI-ENCL
 UL LOGO
 CSA LOGO
 THERMALLY PROTECTED



GREEN(GRD)	5.0/6.0 [127/152]	#10 EYELET
BROWN	48.0/50.0 [1219/1270]	.25[6.4] FEMALE SPADE
WHITE	48.0/50.0 [1219/1270]	.25[6.4] FEMALE SPADE
BLACK	48.0/50.0 [1219/1270]	.25[6.4] FEMALE SPADE
RED	48.0/50.0 [1219/1270]	.25[6.4] FEMALE SPADE
COLOR	LENGTH	TERMINAL OR STRIP LENGTH

MAIN FRAME - OLE	OPEN
END FRAME - OLE	OPEN
MAIN FRAME - LE	ENCLOSED
END FRAME - LE	OPEN

CUSTOMER	DISTRIBUTION SERVICES
----------	-----------------------

PERFORMANCE CURVE NO.	TORQUE @ 1075 RPM (25°C)	APPROVED SAMPLE	UL COMPONENT FILE #	CCN #	CSA FILE #	CLASS #
C21511	31.4 OZ. FT.	0040106	E46412	PRGY2	LR43341	4211-01

GEOMETRIC CHARACTERISTICS & SYMBOLS

- ▮ FLATNESS
- STRAIGHTNESS
- ∠ ANGULARITY
- ⊥ PERPENDICULARITY (SQUARENESS)
- // PARALLELISM
- ROUNDNESS (CIRCULARITY)
- ⊘ CYLINDRICITY
- △ PROFILE OF ANY SURFACE
- ∩ PROFILE OF ANY LINE
- ↗ RUNOUT
- ⊕ TRUE POSITION
- ◎ CONCENTRICITY
- = SYMMETRY

ASME Y14.5M 1994

REGAL-BELOIT CORPORATION (RBC) PROVIDES TECHNICAL ASSISTANCE TO OUR CUSTOMERS IN SEVERAL AREAS. SINCE RBC DOES NOT RECEIVE ALL DATA CONCERNING THE USE AND APPLICATION OF THE MOTOR, THE SUITABILITY OF THE MOTOR FOR THE APPLICATION MUST BE DETERMINED BY THE CUSTOMER.

DIMENSIONS WITHOUT TOLERANCES ARE FOR REFERENCE ONLY.

DR BY: M.GU 02-22-2012

APPD: B.SHEN 02-22-2012

THIRD ANGLE PROJECTION

EDS DATE 11-11-2011

FORMAT REV G

CONFIDENTIAL: THIS DRAWING AND ITS INFORMATION ARE THE EXCLUSIVE AND CONFIDENTIAL PROPERTY OF REGAL-BELOIT CORPORATION AND ARE NOT TO BE DISCLOSED, DUPLICATED, DISTRIBUTED OR OTHERWISE USED WITHOUT THE WRITTEN CONSENT OF REGAL-BELOIT CORPORATION. -ALL RIGHTS RESERVED.



DESCRIPTION: MODEL-RFHP-48FR OUTLINE

SIZE: C DWG NO: OCF1036

SCALE: NONE SHEET: 1

4

3

2

1

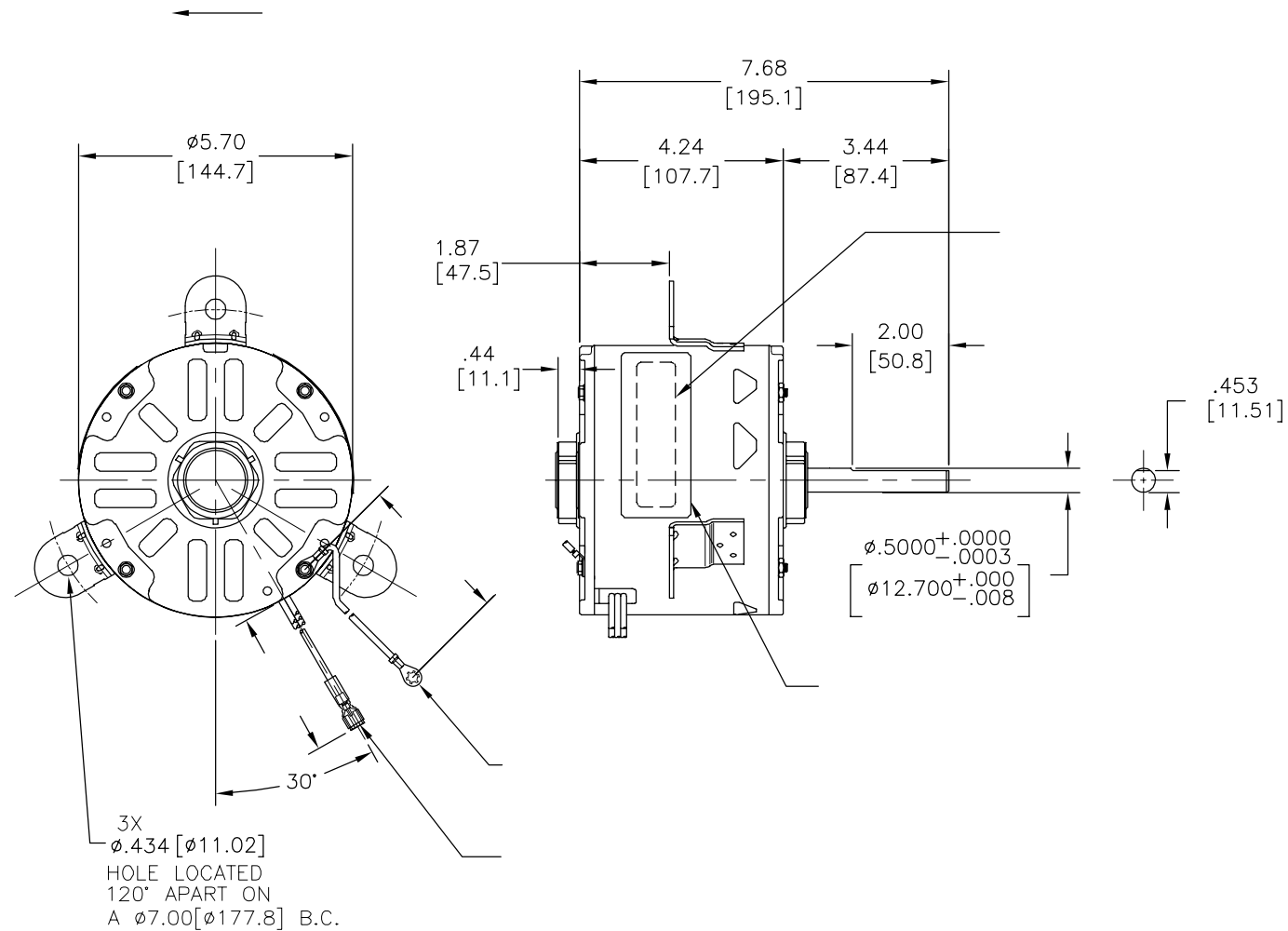
4

3

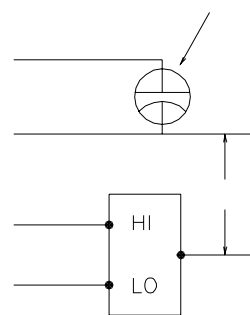
2

1

REVISION:	ECO	REVISADO POR:	FECHA:	APROBADO POR:	FECHA:
C	ECO-0024331	MGU	02-22-2012	B.SHEN	02-22-2012



MODEL NO.:
CUST. P/N:
HP:
ROT.:
RPM:
TYPE:
FRAME:
VOLTS:
PH:
AMPS:
HZ:
INS.:
AMB.: 60° C
DUTY:
CODE:
CAP.:
ENCL:
UL LOGO
CSA LOGO
THERMALLY PROTECTED



614131-002

	5.0/6.0 [127/152]	#10 EYELET
	48.0/50.0 [1219/1270]	.25[6.4] FEMALE SPADE
	48.0/50.0 [1219/1270]	.25[6.4] FEMALE SPADE
	48.0/50.0 [1219/1270]	.25[6.4] FEMALE SPADE
	48.0/50.0 [1219/1270]	.25[6.4] FEMALE SPADE

C21511 31.4 OZ. FT. 0040106 E46412 PRGY2 LR43341 4211-01

CARACTERISTICAS DE GEOMETRIA Y SIMBOLOS
 ▽ PLANICIDAD
 — RECTITUD
 < ANGULARIDAD
 ⊥ PERPENDICULARIDAD (A ESCUADRA)
 // PARALELISMO
 ○ REDONDEZ (CIRCULARIDAD)
 ∅ CILINDRICIDAD
 △ PERFIL DE CUALQUIER SUPERFICIE
 ∩ PERFIL DE CUALQUIER LINEA
 ↗ VARIACION
 ⊕ POSICION REAL
 ⊙ CONCENTRICIDAD
 = SIMETRIA
 ASME Y14.5M 1994

REGAL-BELOIT CORPORATION (RBC)
 PROVEE ASISTENCIA TECNICA A
 NUESTROS CLIENTES EN VARIAS AREAS.
 DESDE QUE RBC NO RECIBE TODOS
 LOS DATOS EN RELACION AL USO Y A
 LA APLICACION DEL MOTOR, LA
 APLICACION ADECUADA DEL MOTOR
 DEBE SER DETERMINADA POR EL
 CLIENTE.

DIMENSIONES SIN TOLERANCIA SON
 DE REFERENCIA SOLAMENTE

DIBUJADO POR:
M.GU
 APROBADO POR:
B.SHEN
 TERCER ANGULO
 DE PROYECCION

02-22-2012
 02-22-2012
 FECHA EDS: 11-11-2011
 REV. FORMATO: G

CONFIDENCIAL: ESTE DIBUJO Y SU INFORMACION
 SON PROPIEDAD DE USO EXCLUSIVO Y CONFIDENCIAL DE
 REGAL-BELOIT CORPORATION. Y NO DEBERAN SER REVELADOS,
 DUPLICADOS, DISTRIBUIDOS O USARSE DE OTRA MANERA
 SIN EL CONSENTIMIENTO ESCRITO DE REGAL-BELOIT
 CORPORATION. -TODOS LOS DERECHOS RESERVADOS.



DESCRIPCION:
 MODEL-RFHP-48FR
 OUTLINE

TAMAÑO: C NUMERO DE DIBUJO:
 OCF1036

ESCALA: NONE HOJA: 1

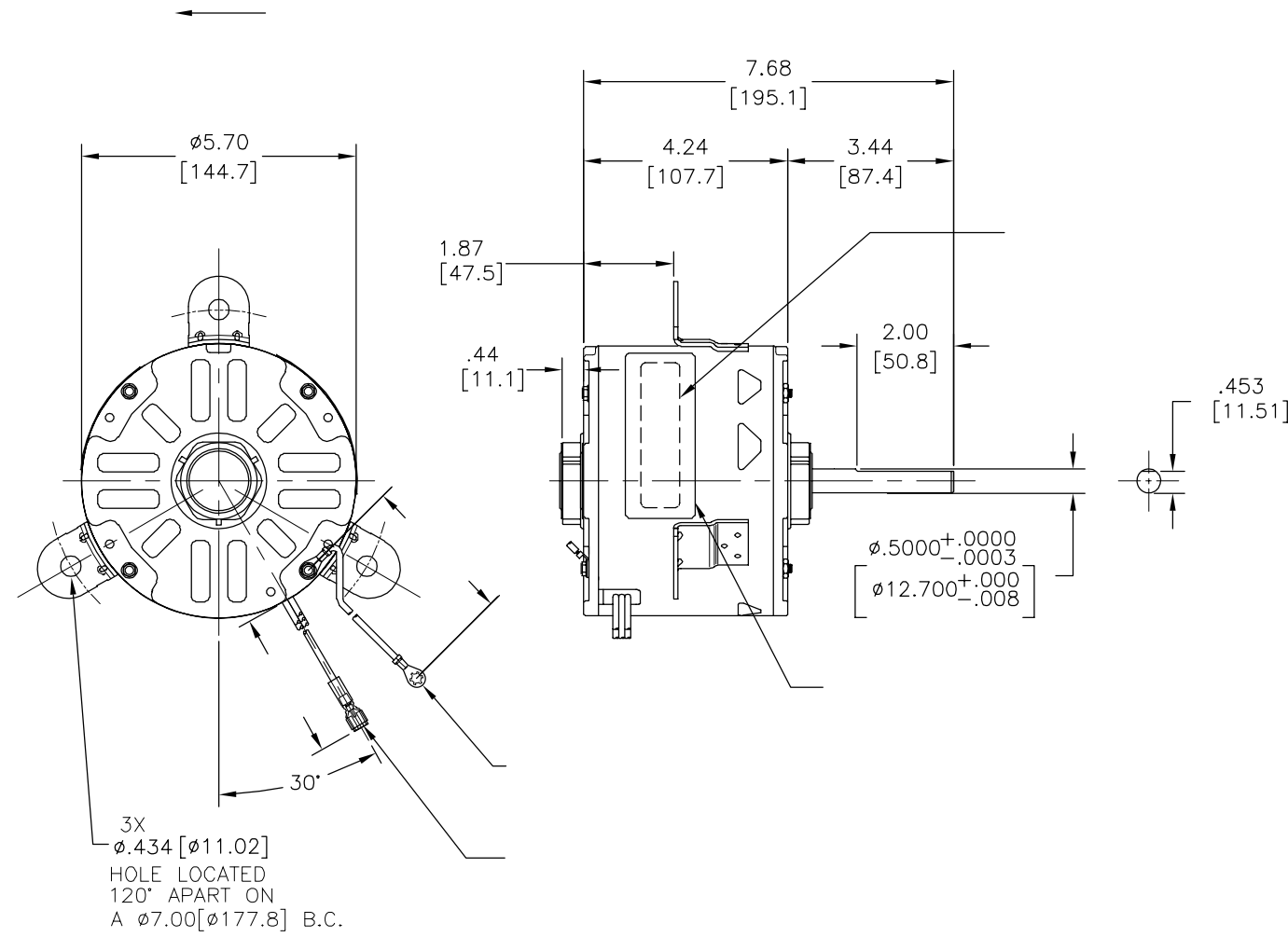
4

3

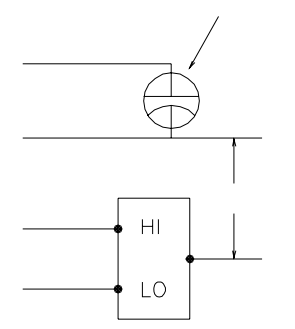
2

1

版本	ECO	编制	日期	批准	日期
C	ECO-0024331	MGU	02-22-2012	B.SHEN	02-22-2012



MODEL NO.:
CUST. P/N:
HP:
ROT.:
RPM:
TYPE:
FRAME:
VOLTS:
PH:
AMPS:
HZ:
INS.:
AMB.: 60° C
DUTY:
CODE:
CAP.:
ENCL:
UL LOGO
CSA LOGO
THERMALLY PROTECTED



614131-002

5.0/6.0 [127/152]	#10 EYELET
48.0/50.0 [1219/1270]	.25[6.4] FEMALE SPADE
48.0/50.0 [1219/1270]	.25[6.4] FEMALE SPADE
48.0/50.0 [1219/1270]	.25[6.4] FEMALE SPADE
48.0/50.0 [1219/1270]	.25[6.4] FEMALE SPADE

C21511	31.4 OZ. FT.	0040106	E46412	PRGY2	LR43341	4211-01
--------	--------------	---------	--------	-------	---------	---------

- 形位公差
- 平面度
- 直线度
- ∠ 倾斜度
- ⊥ 垂直度
- // 平行度
- 圆度
- ⊘ 圆柱度
- ⊙ 面轮廓度
- △ 线轮廓度
- ⌒ 圆跳动
- ⊕ 位置度
- ◎ 同轴度
- ≡ 对称度

ASME Y14.5M 1994

REGAL-BELOIT CORPORATION (RBC) 在个别领域为客户提供技术支持。鉴于RBC未收到任何涉及电机使用和应用环境的数据，电机的适用性由客户自己决定。

未注公差尺寸仅供参考。

绘图:	M.GU	02-22-2012
批准:	B.SHEN	02-22-2012
第三角投影		图纸格式发布日期 11-11-2011 图纸格式版本 G
机密: 本图纸及相关信息所有权归REGAL-BELOIT CORPORATION。未经REGAL-BELOIT CORPORATION书面授权, 不得泄露、复制或传播作其他用途。—版权所有		



名称	MODEL-RFHP-48FR OUTLINE	
图幅	C	图号 OCF1036
比例	NONE	页号 1