

4

3

2

1

GENERAL INFORMATION:

SHAFT RUNOUT: .001/1.00 [.03/25.4] T.I.R. PER LENGTH OF EXTENSION

BEARINGS: BALL

MOUNTING POSITION: ALL ANGLE

ELECTRICAL DATA:

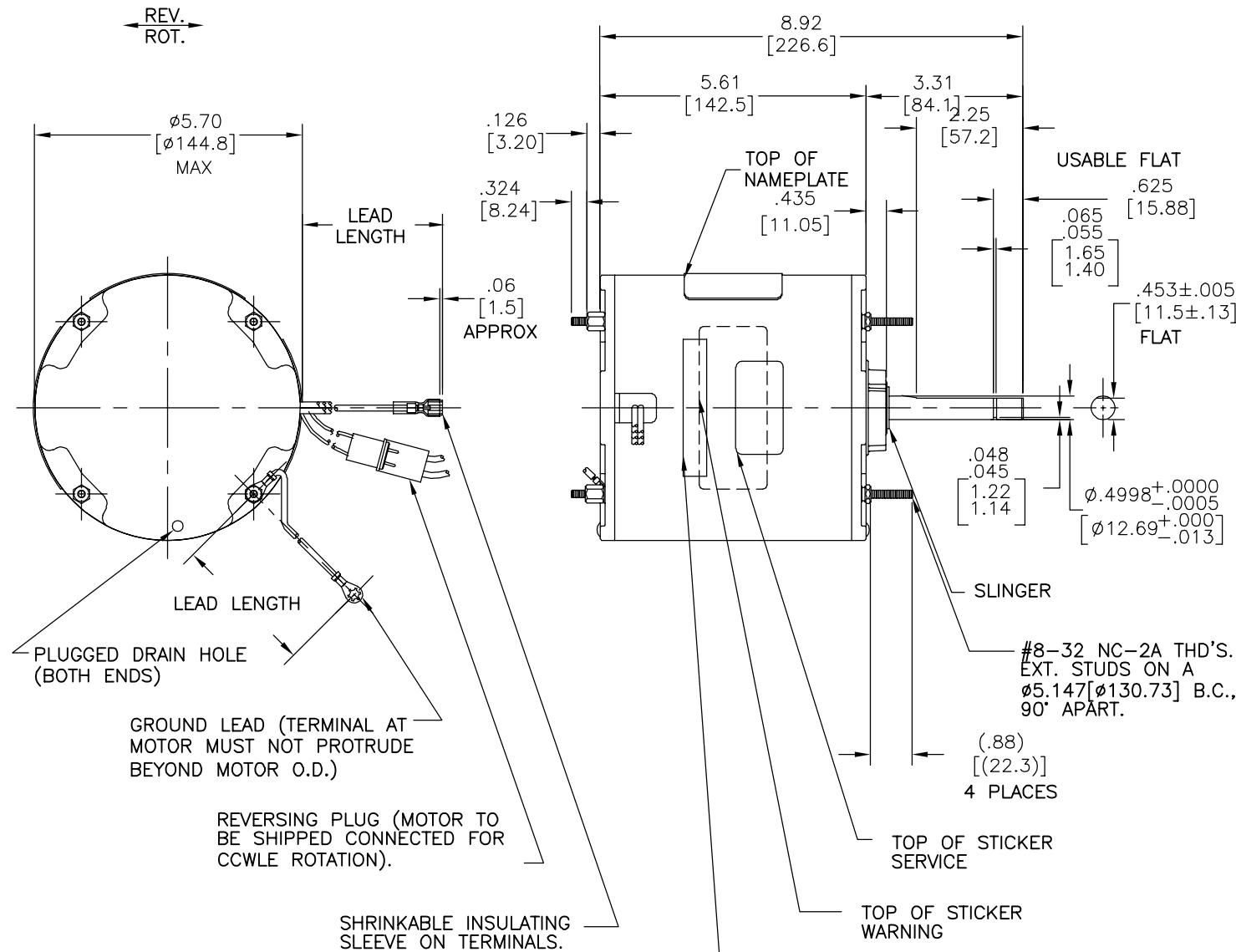
OVERLOAD PROTECTOR: AUTOMATIC RESET (T.I. 7AM 036)

LEADS:
 NO. 16 GA., .06[1.5] THK., PVC 105°C INSUL. (BLACK AND YELLOW LEADS)
 NO. 18 GA., .06[1.5] THK., PVC 105°C INSUL. (BROWN LEAD)

REVERSING LEADS:
 NO. 18 GA., .03[.8] THK., CROSS-LINKED POLYETHELENE, 125°C INSUL.

GROUND LEAD: NO. 16 GA., .03[.8] THK., (GREEN) INSUL.

| REV | ECO | REV BY | DATE | APPD | DATE |
|-----|---------|----------|------------|---------------|------------|
| B | 0025548 | I. ORTIZ | 04-27-2012 | D. BALDERRAMA | 04-27-2012 |



| NAMEPLATE DATA: | EXTERNAL CONNECTION DIAGRAM |
|--|--|
| MODEL: F48SQ6V64A1 CUST. P/N: FEH1056S HP: 1/2 ROT: REVERSIBLE RPM: 1050 TYPE: UF FRAME: 48Y VOLTS: 460 PH: 1 AMPS: .90 (1.15 MAX) HZ: 60 INS: B AMB: 60°C DUTY: AIR OVER CODE: - CAP.: 10 MFD/370V ENCL: ENCLOSED UL LOGO CSA LOGO THERMALLY PROTECTED | CONNECTION DIAGRAM SEP. CAP. BROWN YELLOW LINE BLACK ROTATION BLACK WHITE WHITE BLACK CCWLE BLACK WHITE WHITE BLACK CWLE |

| | | |
|-------------|---------------------|--------------------------|
| GREEN(GRD) | 12.0/13.0 [305/330] | #10 EYELET |
| BLACK/WHITE | 3.0/5.0 [76/127] | REVERSING PLUG |
| BROWN | 26.0/28.0 [660/711] | .25 FEMALE SPADE |
| YELLOW | 26.0/28.0 [660/711] | .25 FEMALE SPADE |
| BLACK | 26.0/28.0 [660/711] | .25 FEMALE SPADE |
| COLOR | LENGTH | TERMINAL OR STRIP LENGTH |

NOTE:
 - LEADS TO BE ON HORIZONTAL q ±5 AS SHOWN.

| | | | |
|------------------|--------------------------|-----------|-----------------------|
| MAIN FRAME - OLE | ENCLOSED | CUSTOMER | DISTRIBUTION SERVICES |
| END FRAME - OLE | ENCLOSED WITH DRAIN HOLE | | |
| MAIN FRAME - LE | ENCLOSED | ENCLOSURE | SHEET 1 |
| END FRAME - LE | ENCLOSED WITH DRAIN HOLE | | |

| PERFORMANCE CURVE NO. | TORQUE @1050 RPM (25°C) | APPROVED SAMPLE | UL COMPONENT FILE # | CCN # | CSA FILE # | CLASS # |
|-----------------------|-------------------------|-----------------|---------------------|-------|------------|---------|
| C23714 | 31.0 OZ. FT. | EX-11709 | E46412 | PRGY2 | LR43341 | 4211-01 |

GEOMETRIC CHARACTERISTICS & SYMBOLS
 □ FLATNESS
 — STRAIGHTNESS
 < ANGULARITY
 ⊥ PERPENDICULARITY (SQUARENESS)
 // PARALLELISM
 ○ ROUNDNESS (CIRCULARITY)
 ∅ CYLINDRICITY
 △ PROFILE OF ANY SURFACE
 ∩ PROFILE OF ANY LINE
 ↑ RUNOUT
 ⊕ TRUE POSITION
 ⊙ CONCENTRICITY
 = SYMMETRY
 ASME Y14.5M 1994

REGAL-BELOIT CORPORATION (RBC) PROVIDES TECHNICAL ASSISTANCE TO OUR CUSTOMERS IN SEVERAL AREAS. SINCE RBC DOES NOT RECEIVE ALL DATA CONCERNING THE USE AND APPLICATION OF THE MOTOR, THE SUITABILITY OF THE MOTOR FOR THE APPLICATION MUST BE DETERMINED BY THE CUSTOMER.
 DIMENSIONS WITHOUT TOLERANCES ARE FOR REFERENCE ONLY.

DR BY: TH 04-20-2011
 APPD: BS 04-20-2011
 THIRD ANGLE PROJECTION
 CONFIDENTIAL: THIS DRAWING AND ITS INFORMATION ARE THE EXCLUSIVE AND CONFIDENTIAL PROPERTY OF REGAL-BELOIT CORPORATION AND ARE NOT TO BE DISCLOSED, DUPLICATED, DISTRIBUTED OR OTHERWISE USED WITHOUT THE WRITTEN CONSENT OF REGAL-BELOIT CORPORATION. -ALL RIGHTS RESERVED.

REGAL-BELOIT CORPORATION
 DESCRIPTION: MODEL-RFHP-48FR OUTLINE
 SIZE: C DWG NO: F48SQ6V64A1
 SCALE: NONE

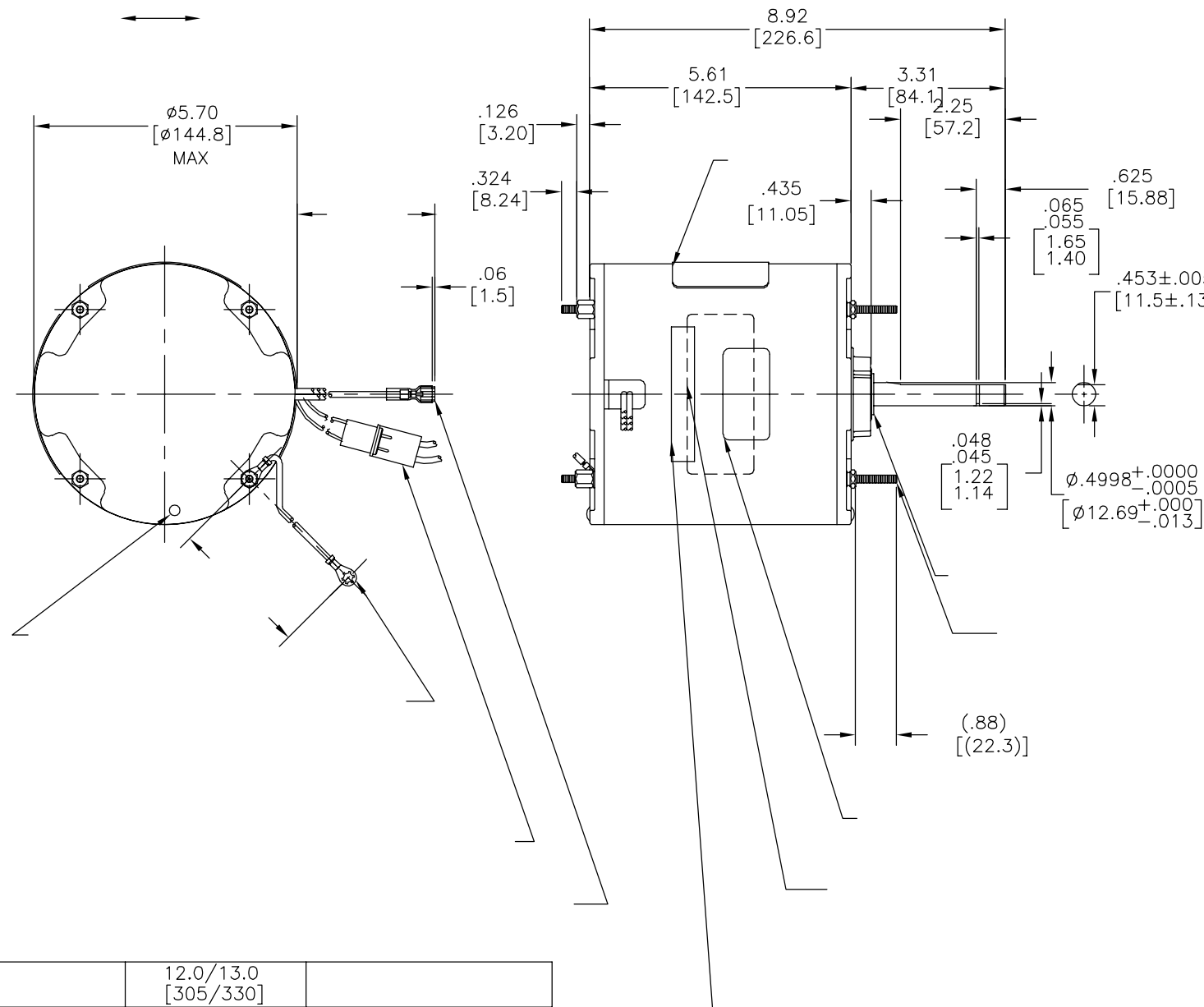
4

3

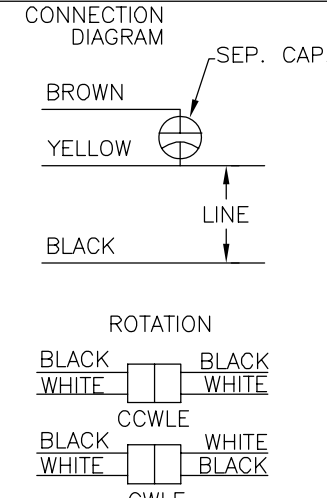
2

1

| | | | | | |
|-----------|---------|---------------|------------|---------------|------------|
| REVISION: | ECO | REVISADO POR: | FECHA: | APROBADO POR: | FECHA: |
| B | 0025548 | I. ORTIZ | 04-27-2012 | D. BALDERRAMA | 04-27-2012 |



MODEL: F48SQ6V64A1
 CUST. P/N: FEH1056S
 HP: 1/2
 ROT: REVERSIBLE
 RPM: 1050
 TYPE: UF
 FRAME: 48Y
 VOLTS: 460
 PH: 1
 AMPS: .90 (1.15 MAX)
 HZ: 60
 INS: B
 AMB: 60°C
 DUTY: AIR OVER
 CODE: -
 CAP.: 10 MFD/370V
 ENCL: ENCLOSED
 UL LOGO
 CSA LOGO
 THERMALLY PROTECTED



614131-150

| | | | | | |
|--------|--------------|----------|--------|-------|-----------------|
| | | | | | CSA |
| C23714 | 31.0 OZ. FT. | EX-11709 | E46412 | PRGY2 | LR43341 4211-01 |

| | | |
|--|-----------|--|
| | 12.0/13.0 | |
| | [305/330] | |
| | 3.0/5.0 | |
| | [76/127] | |
| | 26.0/28.0 | |
| | [660/711] | |
| | 26.0/28.0 | |
| | [660/711] | |
| | 26.0/28.0 | |
| | [660/711] | |

CARACTERISTICAS DE GEOMETRIA Y SIMBOLOS

- PLANICIDAD
- RECTITUD
- ∠ ANGULARIDAD
- ⊥ PERPENDICULARIDAD (A ESCUADRA)
- // PARALELISMO
- REDONDEZ (CIRCULARIDAD)
- ⊘ CILINDRICIDAD
- △ PERFIL DE CUALQUIER SUPERFICIE
- ∧ PERFIL DE CUALQUIER LINEA
- ∧ VARIACION
- ⊕ POSICION REAL
- ◎ CONCENTRICIDAD
- = SIMETRIA

ASME Y14.5M 1994

REGAL-BELOIT CORPORATION (RBC) PROVEE ASISTENCIA TECNICA A NUESTROS CLIENTES EN VARIAS AREAS. DESDE QUE RBC NO RECIBE TODOS LOS DATOS EN RELACION AL USO Y A LA APLICACION DEL MOTOR, LA APLICACION ADECUADA DEL MOTOR DEBE SER DETERMINADA POR EL CLIENTE.

DIMENSIONES SIN TOLERANCIA SON DE REFERENCIA SOLAMENTE

DIBUJADO POR: TH 04-20-2011

APROBADO POR: BS 04-20-2011

TERCER ANGULO DE PROYECCION

FECHA EDS: 11-11-2011

REV. FORMATO: G

CONFIDENCIAL: ESTE DIBUJO Y SU INFORMACION SON PROPIEDAD DE USO EXCLUSIVO Y CONFIDENCIAL DE REGAL-BELOIT CORPORATION. Y NO DEBERAN SER REVELADOS, DUPLICADOS, DISTRIBUIDOS O USARSE DE OTRA MANERA SIN EL CONSENTIMIENTO ESCRITO DE REGAL-BELOIT CORPORATION. -TODOS LOS DERECHOS RESERVADOS.

REGAL-BELOIT CORPORATION

DESCRIPCION: MODEL-RFHP-48FR OUTLINE

TAMAÑO: C NUMERO DE DIBUJO: F48SQ6V64A1

ESCALA: NONE HOJA: 1

4

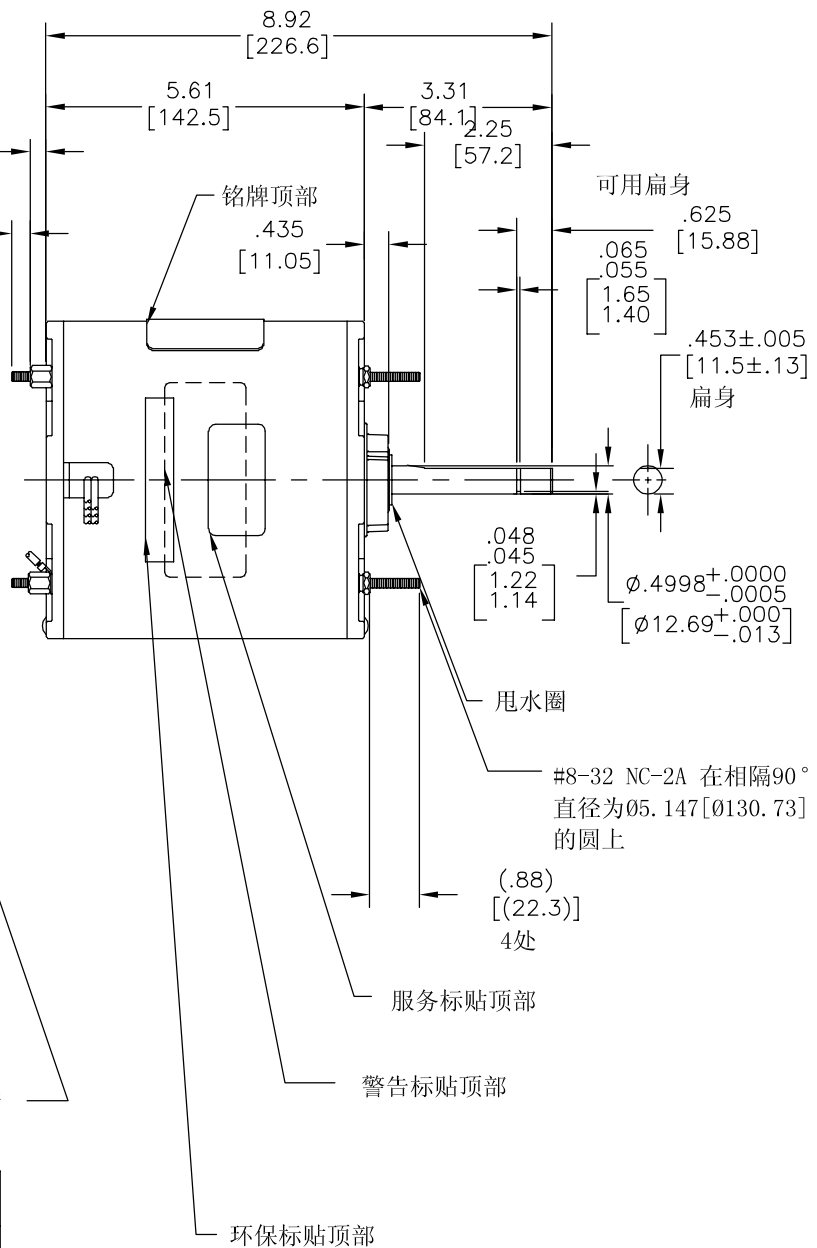
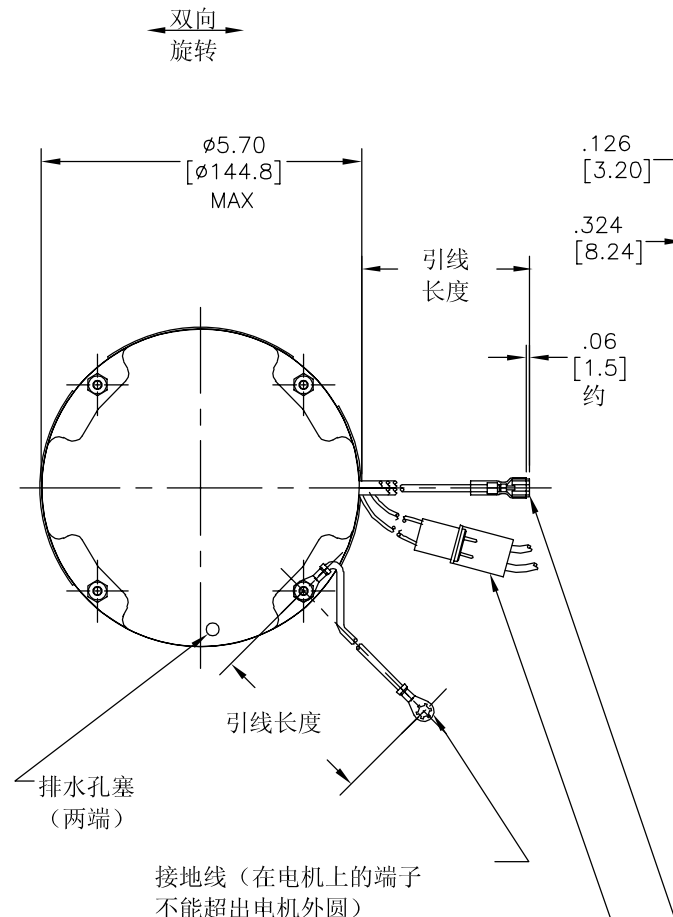
3

2

1

| | | | | | |
|----|---------|----------|------------|---------------|------------|
| 版本 | ECO | 编制 | 日期 | 批准 | 日期 |
| B | 0025548 | I. ORTIZ | 04-27-2012 | D. BALDERRAMA | 04-27-2012 |

- 总要求:
- 轴跳动: .001/1.00 [.03/25.4] (外伸轴)
- 轴承: 球轴承
- 安装位置: 全方位
- 电气数据:
- 过载保护: 自动复位 (7AM036)
- 引线: 16 GA., .06 [1.5] 厚. PVC 105° C 绝缘 (黑色和黄色引线)
18 GA., .06 [1.5] 厚. PVC 105° C 绝缘 (棕色引线)
- 换向引线: 18 GA., .03 [.8] 厚. 交叉连接 聚乙烯 125° C 绝缘
- 接地线: 16 GA., .03 [.8] 厚. (绿色) 绝缘



| 铭牌数据 | 外部连接详图 |
|--|--|
| MODEL: F48SQ6V64A1 CUST. P/N: FEH1056S HP: 1/2 ROT: REVERSIBLE RPM: 1050 TYPE: UF FRAME: 48Y VOLTS: 460 PH: 1 AMPS: .90 (1.15 MAX) HZ: 60 INS: B AMB: 60°C DUTY: AIR OVER CODE: - CAP.: 10 MFD/370V ENCL: ENCLOSED UL LOGO CSA LOGO THERMALLY PROTECTED | CONNECTION DIAGRAM SEP. CAP. BROWN YELLOW LINE BLACK ROTATION BLACK WHITE CCWLE BLACK WHITE CWLE |

| | | |
|---------|---------------------|----------------|
| 绿色 (接地) | 12.0/13.0 [305/330] | #10 垫圈 |
| 黑/白色 | 3.0/5.0 [76/127] | 换向插头 |
| 棕色 | 26.0/28.0 [660/711] | .25 [6.4] 母铲形插 |
| 黄色 | 26.0/28.0 [660/711] | .25 [6.4] 母铲形插 |
| 黑色 | 26.0/28.0 [660/711] | .25 [6.4] 母铲形插 |
| 颜色 | 长度 | 端子或剥线长度 |

技术要求:
- 引线在水平方向上±5° 如图所示

| | |
|--------|----------|
| 非引线端机壳 | 封闭 |
| 非引线端端盖 | 封闭(有排水孔) |
| 引线端机壳 | 封闭 |
| 引线端端盖 | 封闭(有排水孔) |

| | |
|----|----|
| 用户 | 分销 |
|----|----|

| | | | | |
|--------|--------------------|----------|--------------|-----------------|
| 性能曲线编号 | 转矩在1050RPM (25° C) | 批准样品 | UL部件 | CSA |
| C23714 | 31.0 OZ. FT. | EX-11709 | 文件号 指南 | 文件号 指南 |
| | | | E46412 PRGY2 | LR43341 4211-01 |

- 形位公差
- 平面度
 - 直线度
 - ∠ 倾斜度
 - ⊥ 垂直度
 - // 平行度
 - 圆度
 - ⊘ 圆柱度
 - ⊖ 面轮廓度
 - ⌒ 线轮廓度
 - ↗ 圆跳动
 - ⊕ 位置度
 - ⊙ 同轴度
 - ≡ 对称度

ASME Y14.5M 1994

REGAL-BELOIT CORPORATION (RBC) 在个别领域为客户 提供技术支持。鉴于RBC 未收到任何涉及电机使用和 应用环境的数据, 电机的适用性 由客户自己决定。

未注公差尺寸仅供参考。

| | | |
|-------|---|---------------------------------|
| 绘图: | TH | 04-20-2011 |
| 批准: | BS | 04-20-2011 |
| 第三角投影 | | 图纸格式发布日期 11-11-2011 图纸格式版本 G |
| 机密: | 本图纸及相关信息所有权归REGAL-BELOIT CORPORATION。 未经REGAL-BELOIT CORPORATION书面授权, 不得泄露、 复制、传播或作其他用途。一版权所有 | |

| | |
|----|----------------------------|
| | |
| 名称 | MODEL-RFHP-48FR OUTLINE |
| 图幅 | C |
| 图号 | F48SQ6V64A1 |
| 比例 | NONE |
| 页号 | 1 |

4

3

2

1