

GENERAL INFORMATION:

SHAFT RUNOUT: .001[.02] T.I.R. PER INCH LENGTH OF EXTENSION.

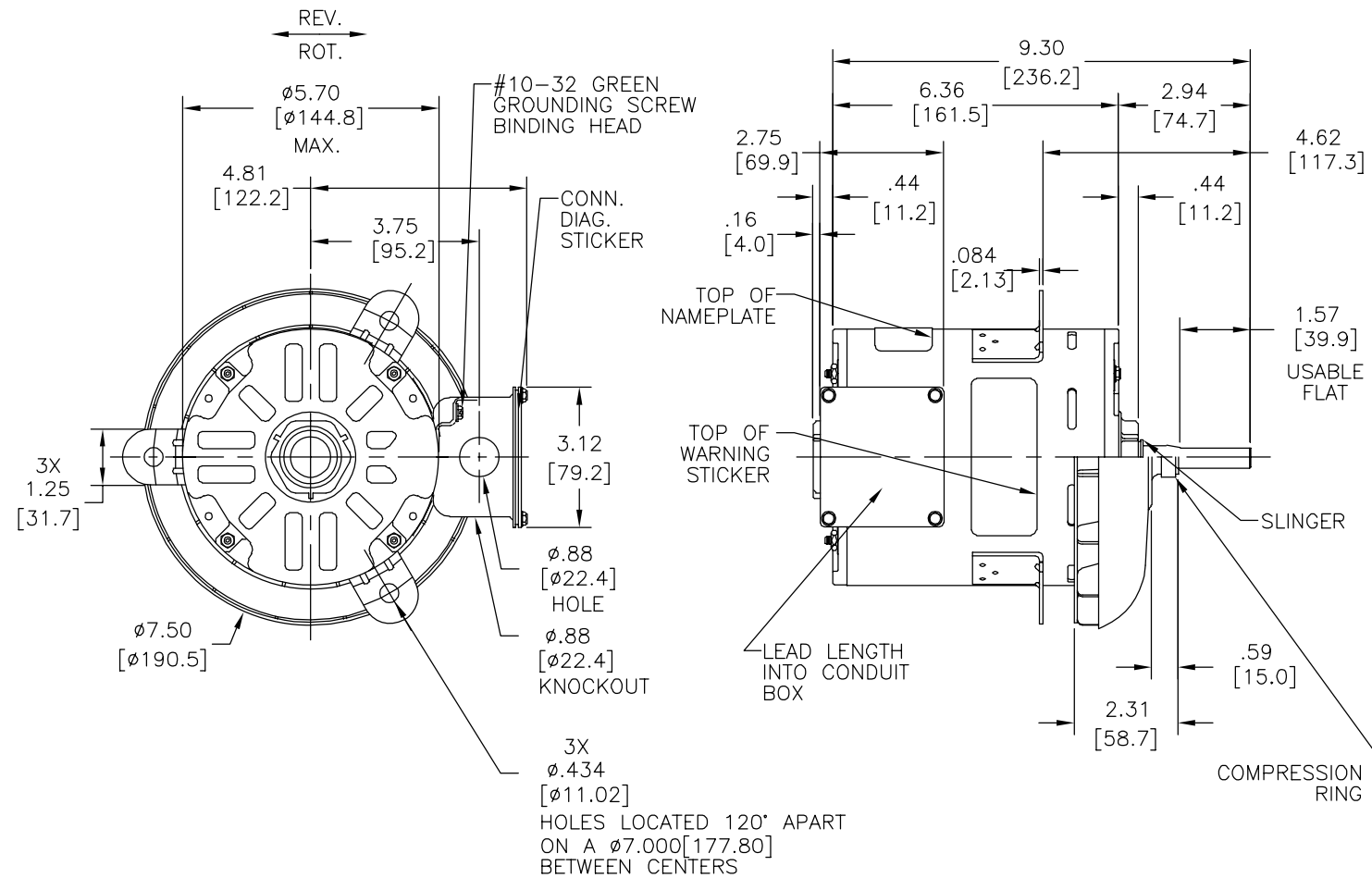
BEARINGS: BALL

MOUNTING POSITION: VERTICAL SHAFT UP

ELECTRICAL DATA:

OVERLOAD PROTECTOR: AUTOMATIC RESET (T.I. 7AM 036)

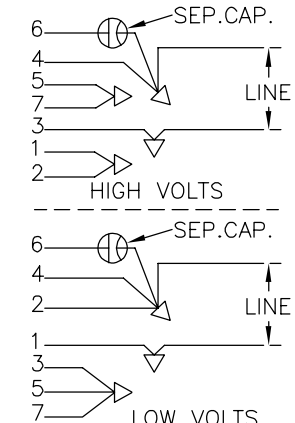
LINE LEADS: NO. 18 GA., .03[.8] THK., CROSS-LINKED POLYETHYLENE, 125° INSUL.



NAMEPLATE DATA:

EXTERNAL CONNECTION DIAGRAM

MODEL NO.: F48SR6V2A1  
 CUST. P/N: OCA1056  
 HP: 1/2  
 ROT.: REVERSIBLE  
 RPM: 1075  
 TYPE: UF  
 FRAME: 48Y  
 VOLTS: 200-230/460  
 PH: 1  
 AMPS: 4.6/2.3  
 HZ: 60  
 INS.: B  
 AMB.: 60° C  
 DUTY: AIR OVER  
 CAP.: 7.5 MFD/440 VAC  
 ENCL: SEMIENCLOSED  
 UL & CSA LOGO  
 THERMALLY PROTECTED



ABOVE CONN. FOR CCW ROT. TO REVERSE, INTERCHANGE #6 & #7

614131-194

RED (7)	5.0/6.0 [127/152]	.60[15.2] SKIN
YELLOW (6)	5.0/6.0 [127/152]	.60[15.2] SKIN
YELLOW (5)	5.0/6.0 [127/152]	.60[15.2] SKIN
YELLOW (4)	5.0/6.0 [127/152]	.60[15.2] SKIN
RED (3)	5.0/6.0 [127/152]	.60[15.2] SKIN
RED (2)	5.0/6.0 [127/152]	.60[15.2] SKIN
RED (1)	5.0/6.0 [127/152]	.60[15.2] SKIN

REGAL-BELOIT CORPORATION (RBC) PROVIDES TECHNICAL ASSISTANCE TO OUR CUSTOMERS IN SEVERAL AREAS. SINCE RBC DOES NOT RECEIVE ALL DATA CONCERNING THE USE AND APPLICATION OF THE MOTOR, THE SUITABILITY OF THE MOTOR FOR THE APPLICATION MUST BE DETERMINED BY THE CUSTOMER.

DIMENSIONS WITHOUT TOLERANCES ARE FOR REFERENCE ONLY.

MAIN FR. - OLE	OPEN
END FR. - OLE	OPEN
MAIN FR. - LE	ENCLOSED
END FR. - LE	OPEN

PERFORMANCE CURVE NO.	TORQUE @ 1075 RPM (25°C)	APPROVED SAMPLE	UL COMPONENT FILE #	CCN #	CSA FILE #	CLASS #
C13295	3.65 OZ.FT	EX 8027	E46412	PRGY2	LR43341	260-φ-0

LEAD DATA

ENCLOSURE

CUSTOMER

DISTRIBUTION SERVICES

DRAWING REVISION B	REVISION BY J.YAO	DATE 07-24-2014
ECO	APPROVED BY M.HE	DATE 07-24-2014
ECO-0053904		
ECO DESCRIPTION SEE ECO		

DRAWN BY: D.JONES	DATE: 12-04-1997
APPROVED BY: JAR	DATE: 04-01-1998
REFERENCE: -	
THIRD ANGLE PROJECTION	

Regal Beloit America, Inc.	
DESCRIPTION	MODEL-RFHP-48FR OUTLINE
MATERIAL	
PROCESS/FINISH	
SIZE DWG NO	OCA1056
SHEET	1

COPYRIGHT REGAL-BELOIT AMERICA, INC. ALL RIGHTS RESERVED. PROPRIETARY AND CONFIDENTIAL INFORMATION - THIS DOCUMENT IS THE PROPERTY OF REGAL-BELOIT AMERICA, INC. (OWNER) AND CONTAINS OWNER'S PROPRIETARY INFORMATION. ANY PERSON, CORPORATION OR OTHER FIRM RECEIVING IT IS DEEMED, BY RECEIVING IT, TO AGREE THAT IT, AND/OR ANY PART OF IT, SHALL NOT BE DISCLOSED TO ANY PERSON, CORPORATION OR OTHER ENTITY, DUPLICATED, AND/OR USED, EXCEPT AS EXPRESSLY APPROVED IN WRITING IN ADVANCE BY OWNER. THIS DOCUMENT SHALL BE RETURNED TO OWNER UPON REQUEST. IT MAY BE SUBJECT TO CERTAIN RESTRICTIONS UNDER APPLICABLE EXPORT CONTROL LAWS AND REGULATIONS.