

GENERAL INFORMATION:

SHAFT RUNOUT: .001 T.I.R. PER INCH LENGTH OF EXTENSION.

END PLAY: .010 TO .063

BEARINGS: SLEEVE

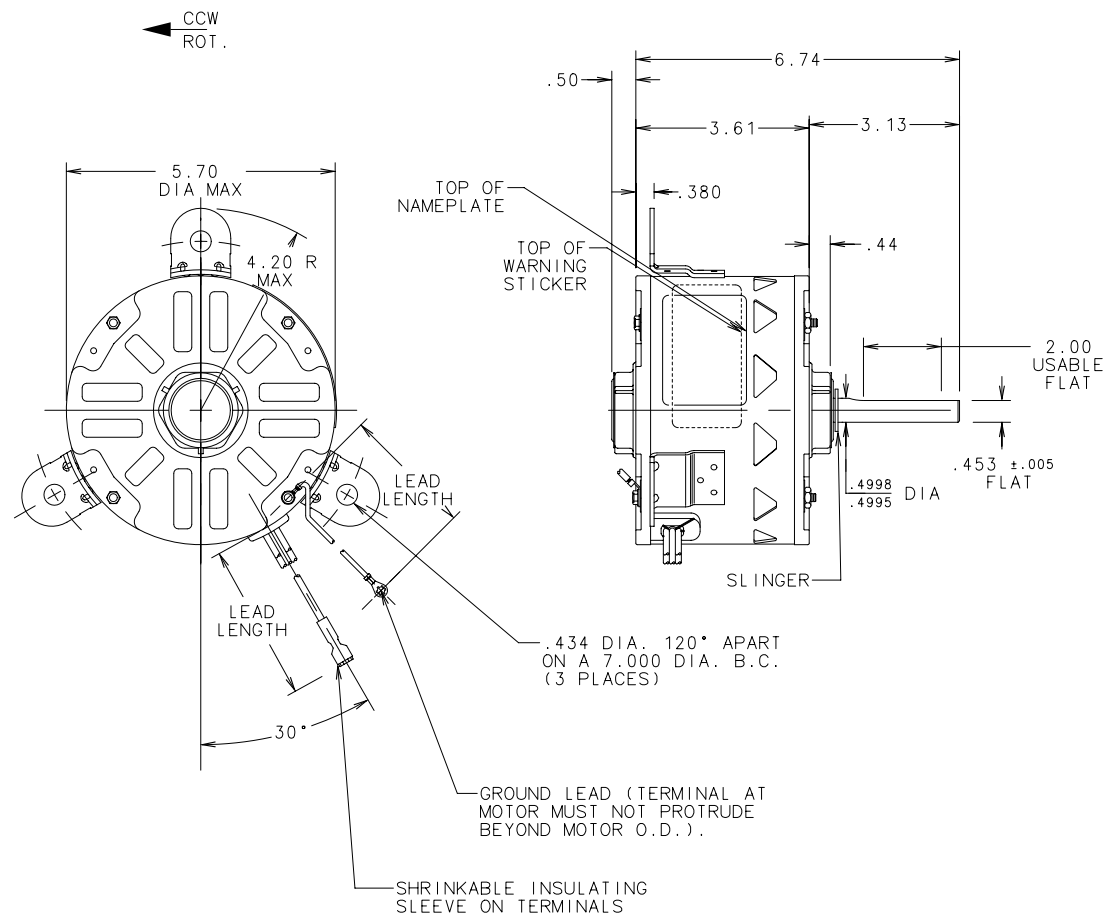
MOUNTING POSITION: VERTICAL SHAFT DOWN

ELECTRICAL DATA:

OVERLOAD PROTECTOR: AUTOMATIC RESET (T.I. 7AM 036)

LEADS: NO. 18 GA., .06 THK. PVC, 105°C INSUL.

GROUND LEAD: NO. 18 GA., .06 THK. GREEN INSUL.



NAMEPLATE DATA:	EXTERNAL CONNECTION DIAGRAM
MODEL NO.: F48U94A01 CUST P/N: 9650 HP: 1/6 ROT: CCWLE RPM: 1075/2 SPD TYPE: UF FRAME: 48Y VOLTS: 208-230 PH: 1 AMPS: 1.2-1.2 HZ: 60 INS: B AMB: 40°C DUTY: AIR OVER CODE: D CAP.: 4 MFD/370 V ENCL: SEMI-ENCL. UL LOGO CSA LOGO THERMALLY PROTECTED	CONNECTION DIAGRAM SEP. CAP. BROWN YELLOW BLACK HI RED LO LINE 614131-013

COLOR	LENGTH	TERMINAL OR STRIP LENGTH
GREEN (GROUND)	11/13	#10 EYELET
BROWN	48/50	.25 FEMALE SPADE
YELLOW	48/50	.25 FEMALE SPADE
BLACK	48/50	.25 FEMALE SPADE
RED	48/50	.25 FEMALE SPADE

ENCLOSURE	
MAIN FR.-OLE	OPEN
END FR.-OLE	OPEN
MAIN FR.-LE	ENCLOSED
END FR.-LE	OPEN

CUST.	DIST. SERVICES

PERFORMANCE CURVE NO.	TORQUE @1075 RPM (25°C)	APPROVED SAMPLE	UL COMPONENT		CSA	
FILE#	GUIDE#	FILE#	GUIDE#	FILE#	GUIDE#	
C32267	14.27 OZ. FT.	0442381	E46412	PRGY2	LR43341	260-0-0

DATE	CHANGED FROM	APPROVED ENG DRG	NOTICE	DATE	CHANGED FROM	APPROVED ENG DRG	NOTICE
H				A 08/28/04	"FLIPPED" LUGS IN SIDE VIEW	GP KAG	0444287
J				B 12/17/04	VOLTS FROM: 230 AMPS FROM: 1.2	KAGKAG	0446025
K				C			
L				D			
M				E			
N				F			
P				G			

A.O. SMITH PROVIDES TECHNICAL ASSISTANCE TO OUR CUSTOMERS IN SEVERAL AREAS. SINCE A.O. SMITH DOES NOT RECEIVE ALL DATA CONCERNING THE USE AND APPLICATION OF THE MOTOR, THE SUITABILITY OF THE MOTOR FOR THE APPLICATION MUST BE DETERMINED BY THE CUSTOMER.

DIMENSIONS WITHOUT TOLERANCES ARE FOR REF. ONLY

CONFIDENTIAL: THIS DRAWING AND ITS INFORMATION ARE THE EXCLUSIVE AND CONFIDENTIAL PROPERTY OF A.O. SMITH CORP. AND ARE NOT TO BE DISCLOSED, DUPLICATED, DISTRIBUTED OR OTHERWISE USED WITHOUT THE WRITTEN CONSENT OF A.O. SMITH CORP. - ALL RIGHTS RESERVED

MATERIAL	DRAWN S. RECKERS 07/29/04		
PROCESS	APPROVED G. PIATT 08/02/04		
REFERENCE		DESCRIPTION	
		MOTOR OUTLINE	
APPLICATION -		SIZE B	PART NUMBER 12040-011
USER/FILE PSCS/MOTOUT	SCALE NONE	NOTICE 0442381	SHEET 1