

4

3

2

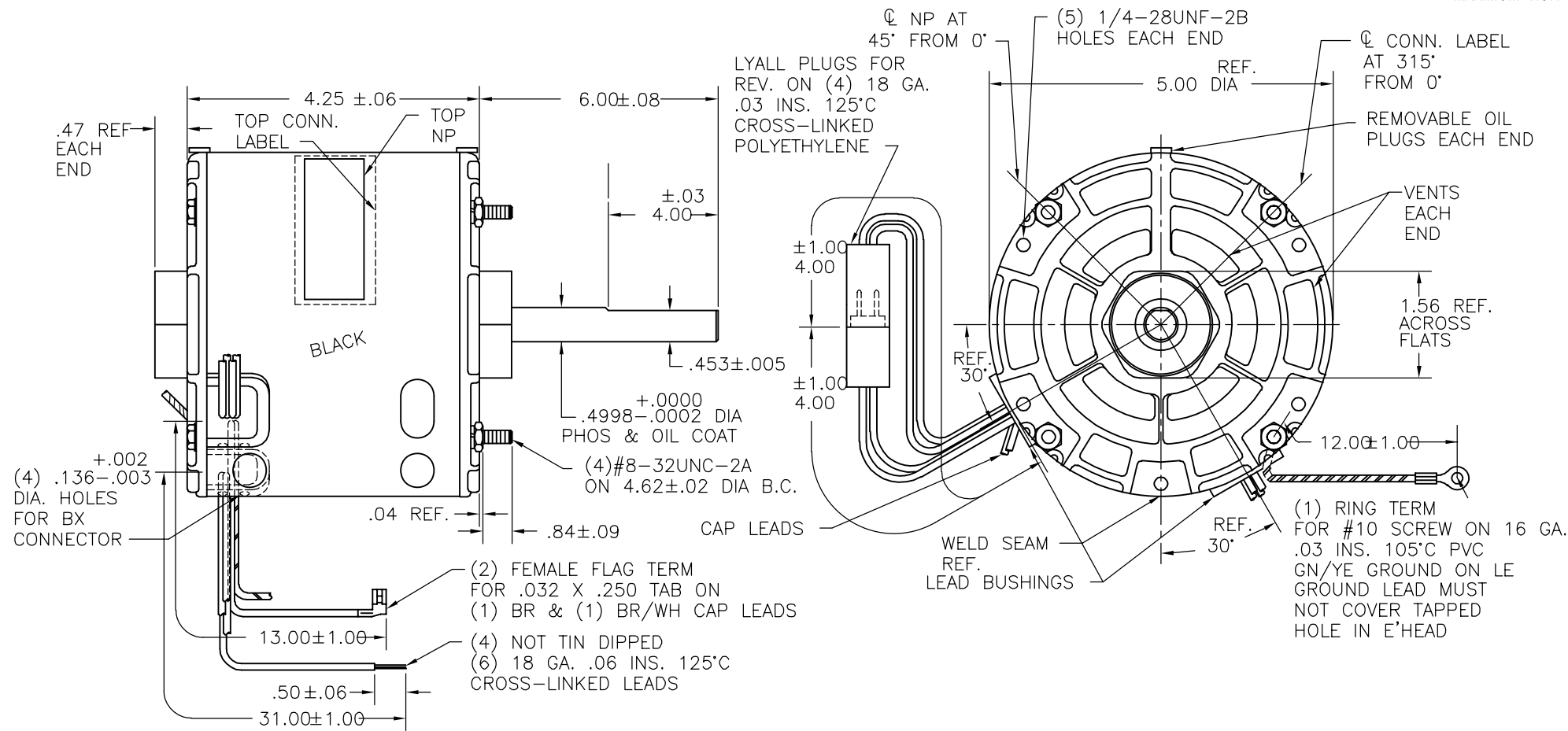
1

CUSTOMER IS SOLELY RESPONSIBLE FOR MOTOR PERFORMANCE AND SUITABILITY IN APPLICATIONS FOR CUSTOMER'S USES.

DE3H7018N

REV	ECO	REV BY	DATE	APPD	DATE
E	0028996	E.SINECIO	10-16-2012	G.ALVIDREZ	10-16-2012

ENDPLAY .005 MIN - .040 MAX
 MAXIMUM SHAFT RUNOUT .001 PER INCH
 MAXIMUM RUN OUT NOT TO EXCEED .010

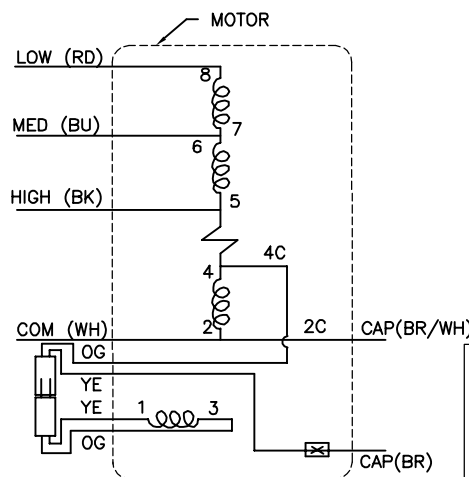


SHIP SEP:
 (1) BAG ASS'Y
 72T7176A-35

MOTOR CONNECTED FOR
 CWLE ROTATION

CCWLE	PLUG IN YELLOW LEAD TO ORANGE LEAD
CWLE	PLUG IN ORANGE LEAD TO ORANGE LEAD

ELECTRICALLY PER
 SAMPLE S-773E



SCHEMATIC-87

ROT.: - REVERSIBLE

NAMEPLATE DATA:



TIPP CITY, OHIO
 THERMALLY PROTECTED

SER. DATE & PO# PLT LTR MOD DE3H018N STOCK NO. 391
 VOLTS 208-230 HZ 60 AMPS 1.5
 RPM1050 SP PH1 CAP 7.5MFD 370VAC
 INS CLB AMB 40C HP 1/4 CONT AO ← ROT REV →
 BRG SLV
 BK-HIGH 1.5A 1/4HP ASSEMBLED IN MEXICO
 BU-MED 1.2A 1/5HP
 RD-LOW 1.0A 1/7HP
 WH-COM BR & BR/WH-CAP

CONN. LABEL
 63T7432-18

GEOMETRIC CHARACTERISTICS & SYMBOLS
 □ FLATNESS
 - STRAIGHTNESS
 ∠ ANGULARITY
 ⊥ PERPENDICULARITY (SQUARENESS)
 ∥ PARALLELISM
 ○ ROUNDNESS (CIRCULARITY)
 ⌀ CYLINDRICITY
 △ PROFILE OF ANY SURFACE
 ∩ PROFILE OF ANY LINE
 √ RUNOUT
 ⊕ TRUE POSITION
 ⊙ CONCENTRICITY
 = SYMMETRY
 ASME Y14.5M 1994

UNLESS OTHERWISE SPECIFIED
 DIM. TOLERANCES ARE AS FOLLOWS:
 INCH X XX XXX XXXX
 mm ±0.5 ±0.13 ±0.013
 ANG. ±.50 DEG
 REMOVE BURRS & BREAK SHARP EDGES:
 INCH .003-.015 mm 0.1-0.4
 CORNER FILLETS TO:
 INCH .020 mm 0.5
 MACHINE SURFACES:
 INCH 125 mm 3.2
 METRIC DIMS. SHOWN IN [BRACKETS]

DR BY: TLB 12-07-2000
 APPD: TDK 12-08-2000
 THIRD ANGLE PROJECTION
 EDS DATE 11-11-2011
 FORMAT REV H
 CONFIDENTIAL: THIS DRAWING AND ITS INFORMATION ARE THE EXCLUSIVE AND CONFIDENTIAL PROPERTY OF REGAL-BELOIT CORPORATION AND ARE NOT TO BE DISCLOSED, DUPLICATED, DISTRIBUTED OR OTHERWISE USED WITHOUT THE WRITTEN CONSENT OF REGAL-BELOIT CORPORATION. -ALL RIGHTS RESERVED.



REGAL-BELOIT CORPORATION
 DESCRIPTION: MODEL-RFHP-42FR OUTLINE
 SIZE: C DWG NO: DE3H7018
 SCALE: NONE SHEET: 1

4

3

2

1

4

3

2

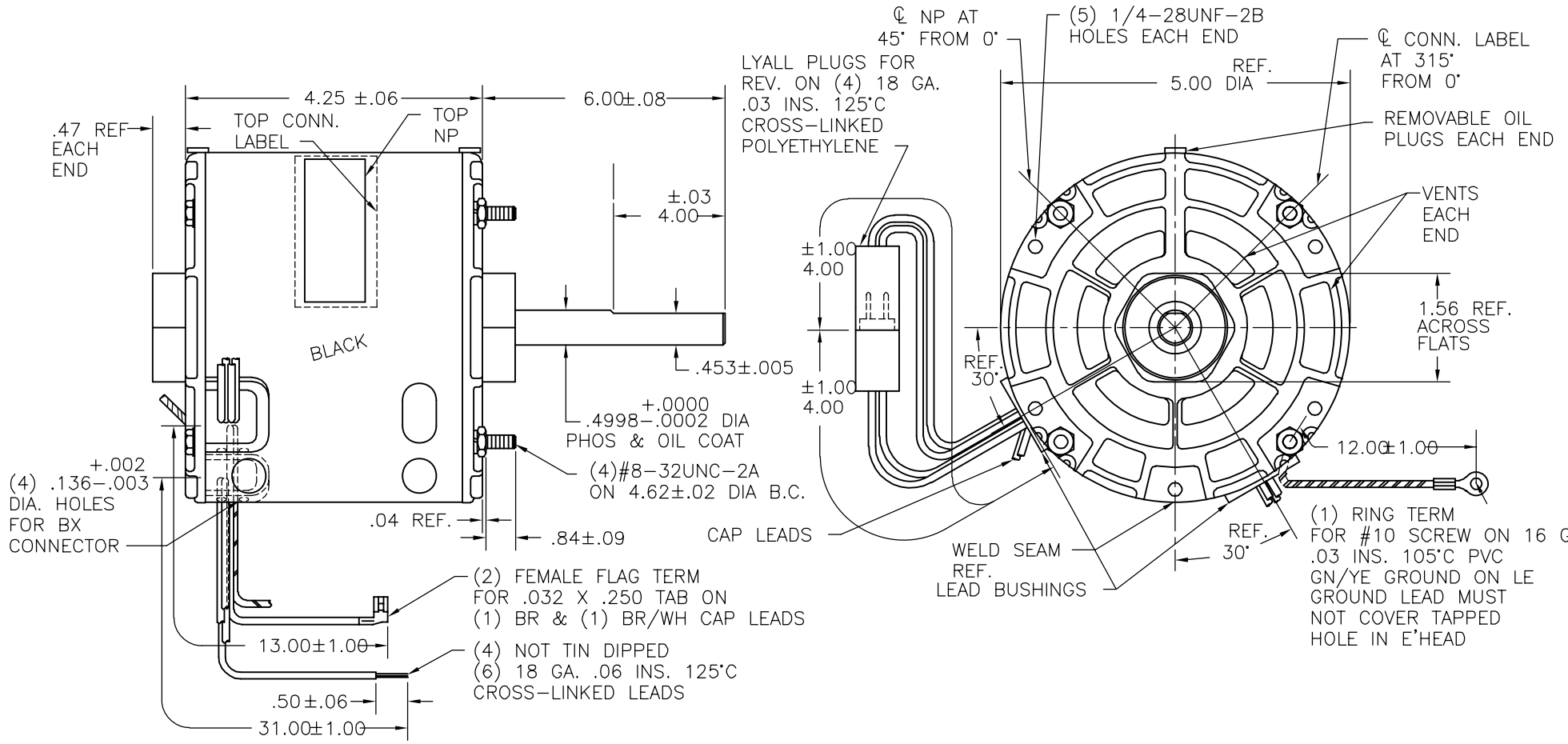
1

CUSTOMER IS SOLELY RESPONSIBLE FOR MOTOR PERFORMANCE AND SUITABILITY IN APPLICATIONS FOR CUSTOMER'S USES.

DE3H7018N

REVISION:	ECO	REVISADO POR:	FECHA:	APROBADO POR:	FECHA:
E	0028996	E.SINECIO	10-16-2012	G.ALVIDREZ	10-16-2012

ENDPLAY .005 MIN - .040 MAX
 MAXIMUM SHAFT RUNOUT .001 PER INCH
 MAXIMUM RUN OUT NOT TO EXCEED .010

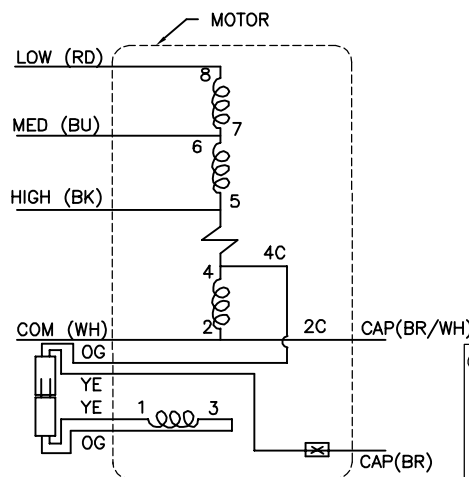


SHIP SEP:
 (1) BAG ASS'Y
 72T7176A-35

MOTOR CONNECTED FOR
 CWLE ROTATION

CCWLE	PLUG IN YELLOW LEAD TO ORANGE LEAD
CWLE	PLUG IN ORANGE LEAD TO ORANGE LEAD

ELECTRICALLY PER
 SAMPLE S-773E



SCHEMATIC-87

ROT.: - REVERSIBLE

NAMEPLATE DATA:



TIPP CITY, OHIO
 THERMALLY PROTECTED

SER. DATE & P0# PLT LTR MOD DE3H018N STOCK NO. 391
 VOLTS 208-230 HZ 60 AMPS 1.5
 RPM1050 SP PH1 CAP 7.5MFD 370VAC
 INS CLB AMB 40C HP 1/4 CONT AO ← ROT REV →
 BRG SLV
 BK-HIGH 1.5A 1/4HP
 BU-MED 1.2A 1/5HP
 RD-LOW 1.0A 1/7HP
 WH-COM BR & BR/WH-CAP
 ASSEMBLED IN MEXICO

CONN. LABEL
 63T7432-18

CARACTERISTICAS DE GEOMETRIA Y SIMBOLOS
 □ PLANICIDAD
 - RECTITUD
 ∠ ANGULARIDAD
 ⊥ PERPENDICULARIDAD (A ESCUADRA)
 // PARALELISMO
 ○ REDONDEZ (CIRCULARIDAD)
 ∅ CILINDRICIDAD
 △ PERFIL DE CUALQUIER SUPERFICIE
 ∇ PERFIL DE CUALQUIER LINEA
 / VARIACION
 ⊕ POSICION REAL
 ⊙ CONCENTRICIDAD
 = SIMETRIA
 ASME Y14.5M 1994

A MENOS QUE SE ESPECIFIQUE DE OTRA MANERA, LAS TOLERANCIAS DE LAS DIMS; SON LAS SIGUIENTES:
 PULG ±.1 ±.02 ±.005 ±.0005
 mm ±0.5 ±0.13 ±0.013
 ANG. ± 50 GRADOS
 ELIMINAR REBABAS Y ORILLAS FILOSAS DEL BORDE.
 PULG .003-.015 mm 0.1-0.4
 FILETEAR ESQUINA: PULG .020 mm 0.5
 MAQUINAR SUPERFICIES
 PULG 125 mm 3.2
 DIMS METRICAS MOSTRADAS [PARENTESIS]

DIBUJADO POR: TLB 12-07-2000
 APROBADO POR: TDK 12-08-2000
 TERCER ANGULO DE PROYECCION
 FECHA EDS: 11-11-2011
 REV. FORMATO: H
 CONFIDENCIAL: ESTE DIBUJO Y SU INFORMACION SON PROPIEDAD DE USO EXCLUSIVO Y CONFIDENCIAL DE REGAL-BELOIT CORPORATION. Y NO DEBERAN SER REVELADOS, DUPLICADOS, DISTRIBUIDOS O USARSE DE OTRA MANERA SIN EL CONSENTIMIENTO ESCRITO DE REGAL-BELOIT CORPORATION. -TODOS LOS DERECHOS RESERVADOS.

REGAL REGAL-BELOIT CORPORATION

DESCRIPCION: MODEL-RFHP-42FR OUTLINE

TAMAÑO: C NUMERO DE DIBUJO: DE3H7018

ESCALA: NONE HOJA: 1

4

3

2

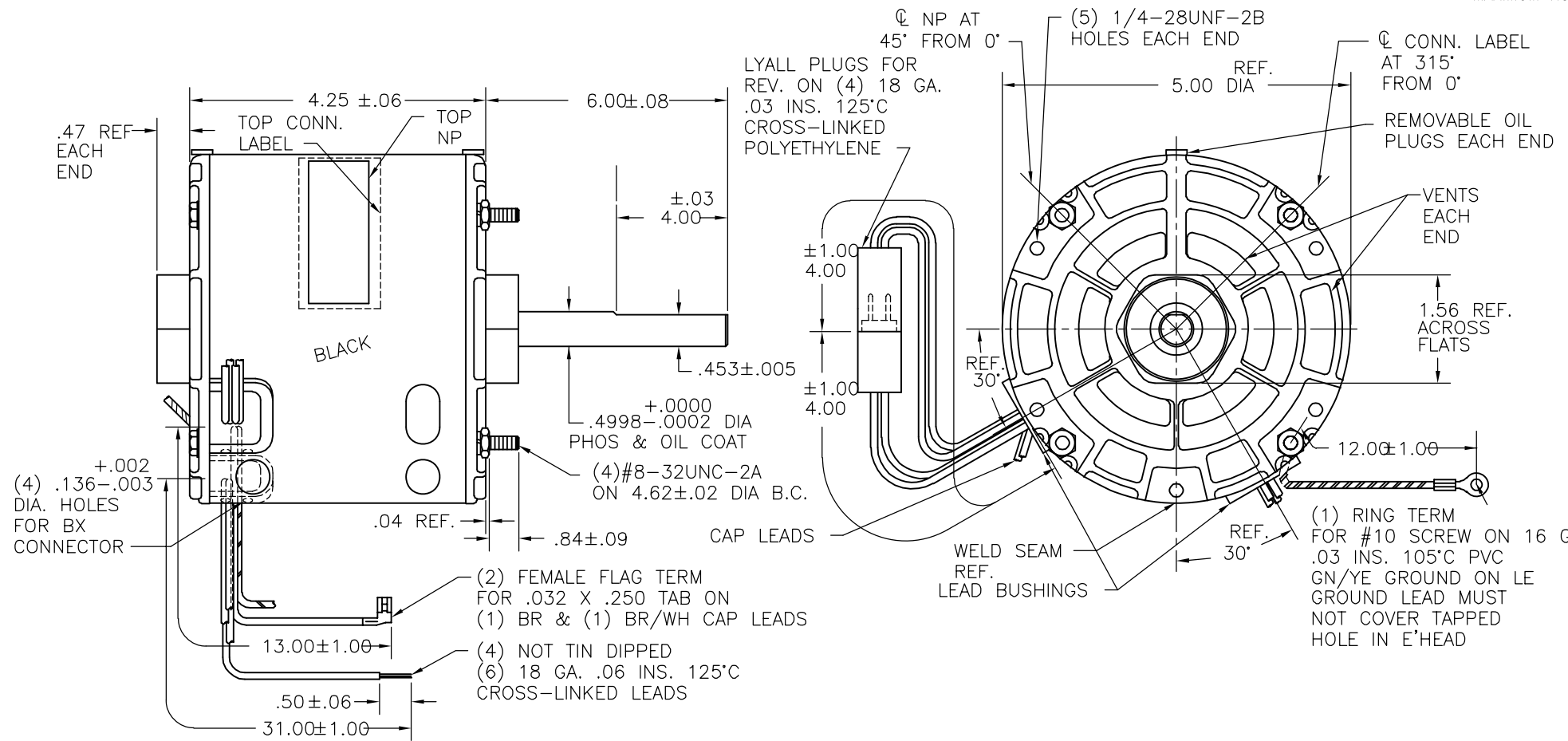
1

CUSTOMER IS SOLELY RESPONSIBLE FOR MOTOR PERFORMANCE AND SUITABILITY IN APPLICATIONS FOR CUSTOMER'S USES.

DE3H7018N

版本	ECO	编制	日期	批准	日期
E	0028996	E.SINECIO	10-16-2012	G.ALVIDREZ	10-16-2012

ENDPLAY .005 MIN - .040 MAX
MAXIMUM SHAFT RUNOUT .001 PER INCH
MAXIMUM RUN OUT NOT TO EXCEED .010

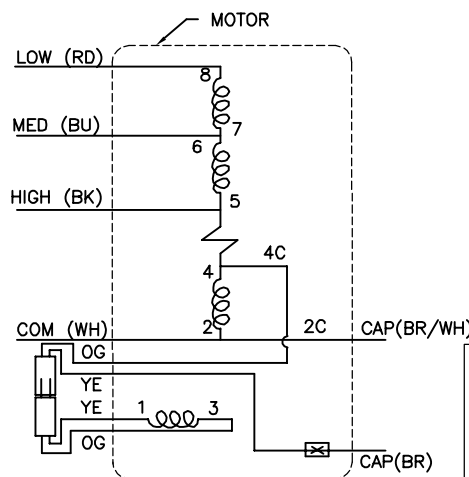


SHIP SEP:
(1) BAG ASS'Y
72T7176A-35

MOTOR CONNECTED FOR
CWLE ROTATION

CCWLE	PLUG IN YELLOW LEAD TO ORANGE LEAD
CWLE	PLUG IN ORANGE LEAD TO ORANGE LEAD

ELECTRICALLY PER
SAMPLE S-773E



SCHEMATIC-87

ROT.: - REVERSIBLE

NAMEPLATE DATA:



TIPP CITY, OHIO
THERMALLY PROTECTED

SER. DATE & P0# PLT LTR MOD DE3H018N STOCK NO. 391
 VOLTS 208-230 HZ 60 AMPS 1.5
 RPM1050 SP PH1 CAP 7.5MFD 370VAC
 INS CLB AMB 40C HP 1/4 CONT AO ← ROT REV →
 BRG SLV
 BK-HIGH 1.5A 1/4HP ASSEMBLED IN MEXICO
 BU-MED 1.2A 1/5HP
 RD-LOW 1.0A 1/7HP
 WH-COM BR & BR/WH-CAP

CONN. LABEL
63T7432-18

- 形位公差
- 平面度
- 直线度
- ∠ 倾斜度
- ⊥ 垂直度
- ∠ 平行度
- ⊙ 圆度
- ⊘ 圆柱度
- ⌒ 圆轮廓度
- △ 锥轮廓度
- ∩ 圆跳动
- ⊕ 位置度
- ⊙ 同轴度
- ≡ 对称度

ASME Y14.5M 1994

除另有注明
尺寸公差如下:
 英寸 X XX XXX XXXX
 ±.1 ±.02 ±.005 ±.0005
 毫米 ±0.5 ±0.13 ±0.013
 角度 ±.50 度
 清理毛刺和尖棱
 英寸 .003-.015 毫米 0.1-0.4
 内圆角
 英寸 .020 毫米 0.5
 表面粗糙度
 英制 125 米制 3.2
 米制尺寸显示在 []

绘图: TLB 12-07-2000
 批准: TDK 12-08-2000
 第三角投影
 图纸格式发布日期 11-11-2011
 图纸格式版本 H
 机密: 本图纸及相关信息所有权归REGAL-BELOIT CORPORATION
 未经REGAL-BELOIT CORPORATION书面授权, 不得泄露、
 复制、传播或作其他用途。—版权所有

REGAL REGAL-BELOIT CORPORATION

名称 MODEL-RFHP-42FR
OUTLINE
 图幅 C 图号 DE3H7018
 比例 NONE 页号 1