

4

3

2

1

GENERAL INFORMATION:

SHAFT RUNOUT: .001 [.03] T.I.R. PER INCH LENGTH OF EXTENSION

END PLAY: .010 [.25] TO .063 [1.60]

BEARINGS: SLEEVE

MOUNTING POSITION: HORIZONTAL

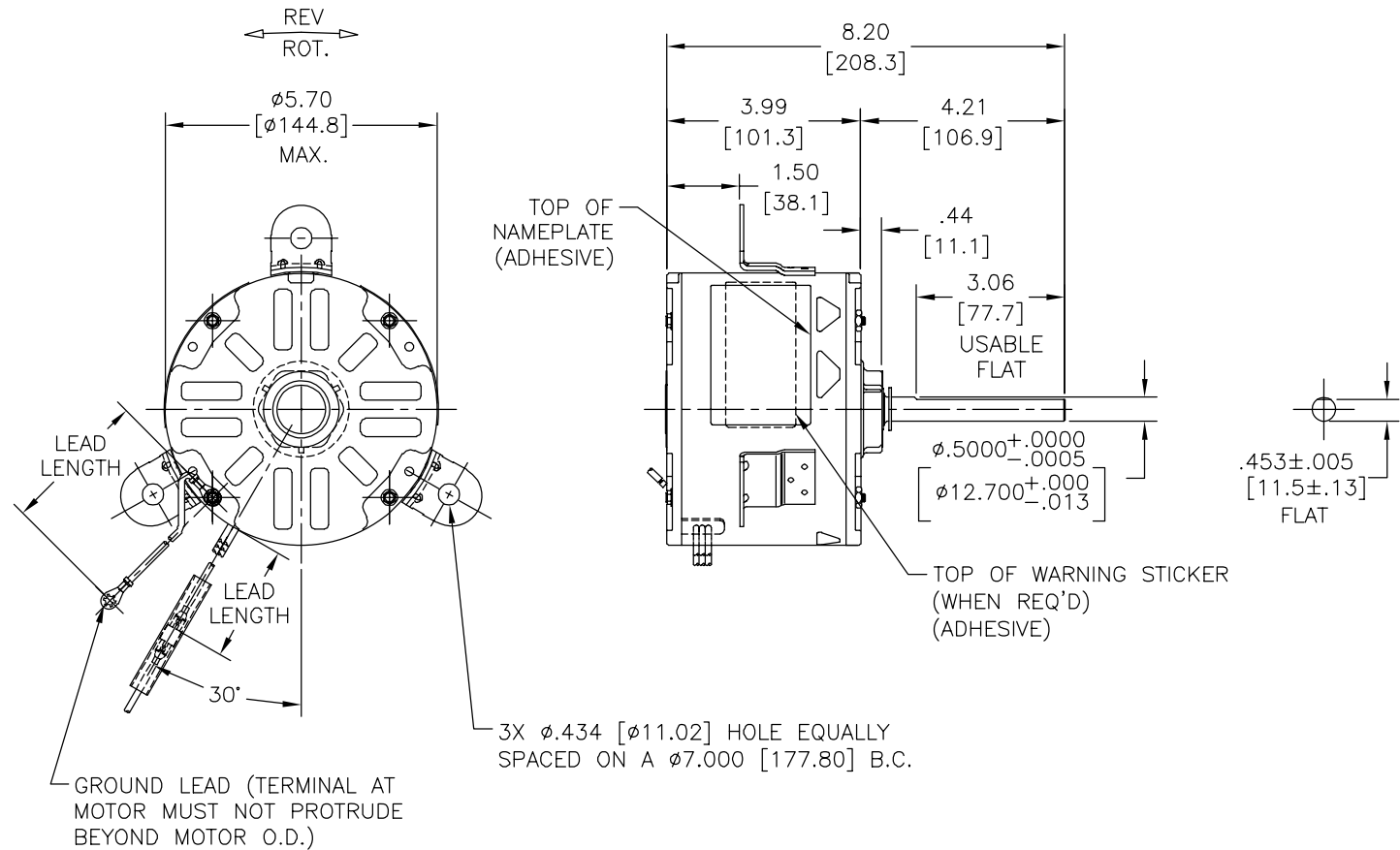
ELECTRICAL DATA:

OVERLOAD PROTECTOR: AUTOMATIC RESET (T.I. 7AM 036)

LEADS: NO. 18 GA., .06 [1.5] THK. EPDM 125°C INSUL.

GROUND LEAD: NO. 18 GA., .03 [.8] THK. GRN INSUL.

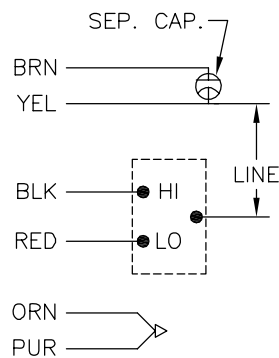
REV	ECO	REV BY	DATE	APPD	DATE
B	0025554	O. CARVAJAL	05-01-2012	M. AVILA	05-01-2012



NAMEPLATE DATA:

EXTERNAL CONNECTION DIAGRAM

MODEL NO.: F48Z06A01  
 CUST. P/N: OCB1026A  
 HP: 1/4  
 ROT.: REV  
 RPM: 1075/2 SPD  
 TYPE: UF  
 FRAME: 48Y  
 VOLTS: 208-230  
 PH: 1  
 AMPS: 2.2  
 HZ: 60  
 INS.: B  
 AMB.: 60°C  
 DUTY: AIR OVER  
 CAP.: 5.0 MFD/440 V  
 ENCL: SEMI-ENCL.  
 UL LOGO  
 CSA LOGO  
 THERMALLY PROTECTED



SHOWN FOR CCWLE  
 ROT. FOR CWLE ROT.  
 INTERCHANGE ORN  
 AND BRN LEADS

614131-052

COLOR	LENGTH	TERMINAL OR STRIP LENGTH
GREEN (GRD)	53.0/56.0 [1346/1422]	#10 EYELET
BROWN	53.0/56.0 [1346/1422]	.25 [6.4] FEMALE SPADE
YELLOW	53.0/56.0 [1346/1422]	.25 [6.4] FEMALE SPADE
BLACK	53.0/56.0 [1346/1422]	.25 [6.4] FEMALE SPADE
RED	53.0/56.0 [1346/1422]	.25 [6.4] FEMALE SPADE
ORANGE	53.0/56.0 [1346/1422]	.25 [6.4] FEMALE SPADE
PURPLE	53.0/56.0 [1346/1422]	.25 [6.4] FEMALE SPADE

MAIN FRAME - OLE	OPEN
END FRAME - OLE	OPEN
MAIN FRAME - LE	ENCLOSED
END FRAME - LE	OPEN

CUSTOMER	DIST SERVICES
----------	---------------

PREFORMANCE CURVE NO.	TORQUE @1075 RPM (25°C)	APPROVED SAMPLE	UL COMPONENT FILE #	CCN #	CSA FILE #	CLASS #
C19783	27.6 OZ. FT.	0040105	E46412	PRGY2	LR43341	4211-01

GEOMETRIC CHARACTERISTICS & SYMBOLS

- FLATNESS
- STRAIGHTNESS
- ∠ ANGULARITY
- ⊥ PERPENDICULARITY (SQUARENESS)
- ∥ PARALLELISM
- ROUNDNESS (CIRCULARITY)
- ⊘ CYLINDRICITY
- △ PROFILE OF ANY SURFACE
- ∧ PROFILE OF ANY LINE
- ↗ RUNOUT
- ⊕ TRUE POSITION
- ◎ CONCENTRICITY
- ≡ SYMMETRY

ASME Y14.5M 1994

REGAL-BELOIT CORPORATION (RBC) PROVIDES TECHNICAL ASSISTANCE TO OUR CUSTOMERS IN SEVERAL AREAS. SINCE RBC DOES NOT RECEIVE ALL DATA CONCERNING THE USE AND APPLICATION OF THE MOTOR, THE SUITABILITY OF THE MOTOR FOR THE APPLICATION MUST BE DETERMINED BY THE CUSTOMER.

DIMENSIONS WITHOUT TOLERANCES ARE FOR REFERENCE ONLY.

DR BY: YL 04-15-2011

APPD: HZ 04-15-2011

THIRD ANGLE PROJECTION

EDS DATE 11-11-2011

FORMAT REV G

CONFIDENTIAL: THIS DRAWING AND ITS INFORMATION ARE THE EXCLUSIVE AND CONFIDENTIAL PROPERTY OF REGAL-BELOIT CORPORATION AND ARE NOT TO BE DISCLOSED, DUPLICATED, DISTRIBUTED OR OTHERWISE USED WITHOUT THE WRITTEN CONSENT OF REGAL-BELOIT CORPORATION. -ALL RIGHTS RESERVED.



DESCRIPTION: MODEL-RFHP-48FR OUTLINE

SIZE: C DWG NO: OCB1026A

SCALE: NONE SHEET: 1

4

3

2

1

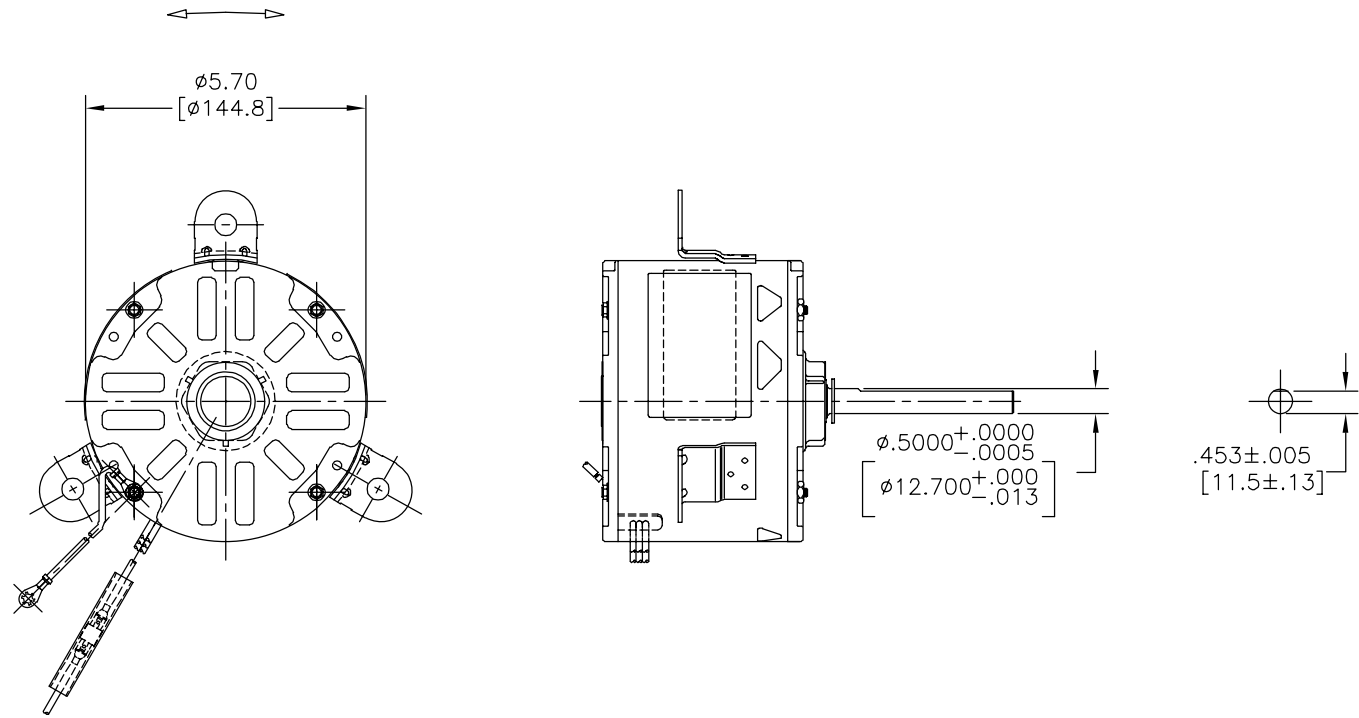
4

3

2

1

REVISION:	ECO	REVISADO POR:	FECHA:	APROBADO POR:	FECHA:
B	0025554	O. CARVAJAL	05-01-2012	M. AVILA	05-01-2012



F48Z06A01  
OCB1026A

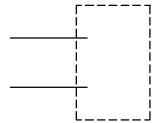
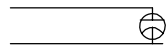
1/4

1075/2 SPD  
UF  
48Y  
208-230

1

2.2  
60  
B  
60°C

5.0 MFD/440 V



614131-052

	53.0/56.0	
	[1346/1422]	
	53.0/56.0	
	[1346/1422]	
	53.0/56.0	
	[1346/1422]	
	53.0/56.0	
	[1346/1422]	
	53.0/56.0	
	[1346/1422]	
	53.0/56.0	
	[1346/1422]	

C19783	27.6 OZ. FT.	0040105	E46412	PRGY2	LR43341	4211-01
--------	--------------	---------	--------	-------	---------	---------

CARACTERISTICAS DE GEOMETRIA Y SIMBOLOS  
 □ PLANICIDAD  
 — RECTITUD  
 < ANGULARIDAD  
 ⊥ PERPENDICULARIDAD (A ESCUADRA)  
 // PARALELISMO  
 ○ REDONDEZ (CIRCULARIDAD)  
 ⌀ CILINDRICIDAD  
 △ PERFIL DE CUALQUIER SUPERFICIE  
 ⤴ PERFIL DE CUALQUIER LINEA  
 ↗ VARIACION  
 ⊕ POSICION REAL  
 ⊙ CONCENTRICIDAD  
 = SIMETRIA  
 ASME Y14.5M 1994

REGAL-BELOIT CORPORATION (RBC)  
 PROVEE ASISTENCIA TECNICA A  
 NUESTROS CLIENTES EN VARIAS AREAS.  
 DESDE QUE RBC NO RECIBE TODOS  
 LOS DATOS EN RELACION AL USO Y A  
 LA APLICACION DEL MOTOR, LA  
 APLICACION ADECUADA DEL MOTOR  
 DEBE SER DETERMINADA POR EL  
 CLIENTE.

DIMENSIONES SIN TOLERANCIA SON  
 DE REFERENCIA SOLAMENTE

DIBUJADO POR:	YL	04-15-2011
APROBADO POR:	HZ	04-15-2011
TERCER ANGULO DE PROYECCION		FECHA EDS: 11-11-2011 REV. FORMATO: G

CONFIDENCIAL: ESTE DIBUJO Y SU INFORMACION  
 SON PROPIEDAD DE USO EXCLUSIVO Y CONFIDENCIAL DE  
 REGAL-BELOIT CORPORATION. Y NO DEBERAN SER REVELADOS,  
 DUPLICADOS, DISTRIBUIDOS O USARSE DE OTRA MANERA  
 SIN EL CONSENTIMIENTO ESCRITO DE REGAL-BELOIT  
 CORPORATION. -TODOS LOS DERECHOS RESERVADOS.



DESCRIPCION:  
 MODEL-RFHP-48FR  
 OUTLINE

TAMAÑO: C NUMERO DE DIBUJO:  
 OCB1026A

ESCALA: NONE HOJA: 1

4

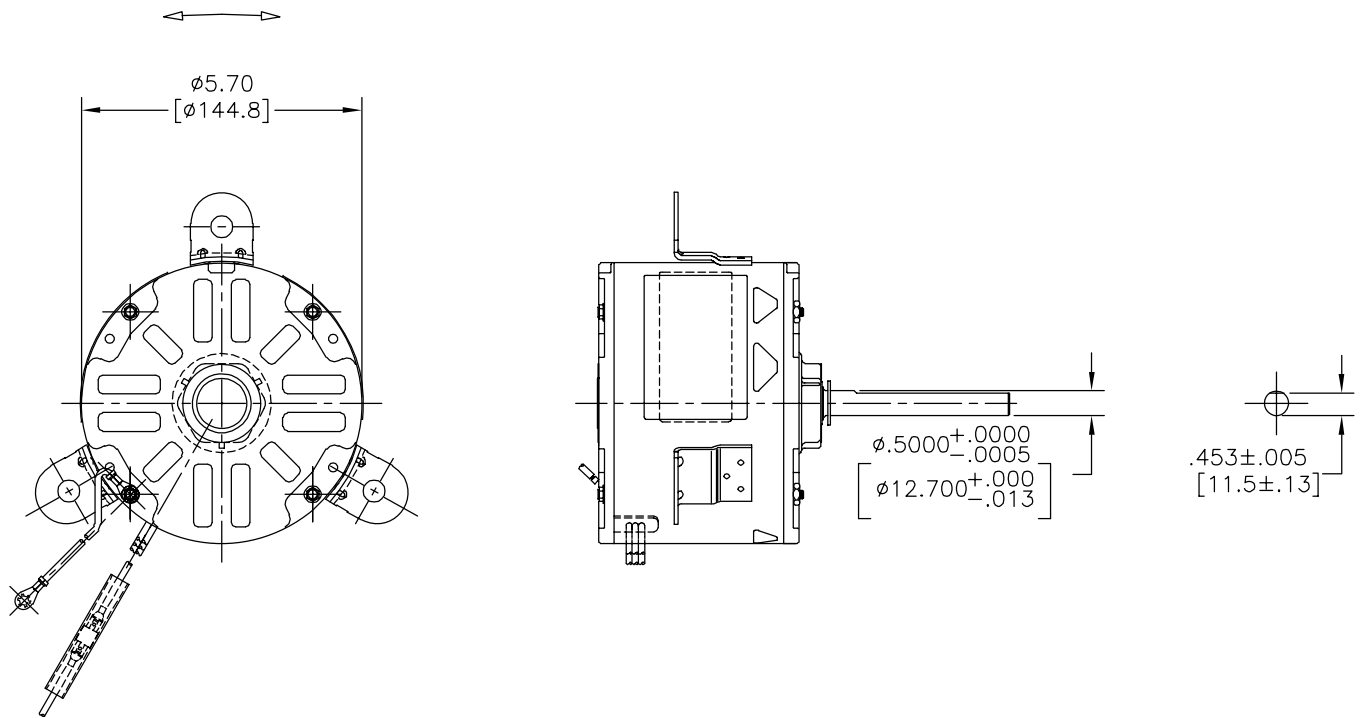
3

2

1

4 3 2 1

版本	ECO	编制	日期	批准	日期
B	0025554	O. CARVAJAL	05-01-2012	M. AVILA	05-01-2012



F48Z06A01  
OCB1026A

1/4

1075/2 SPD  
UF  
48Y  
208-230

1  
2.2  
60  
B  
60°C

5.0 MFD/440 V

614131-052

	53.0/56.0	
	[1346/1422]	
	53.0/56.0	
	[1346/1422]	
	53.0/56.0	
	[1346/1422]	
	53.0/56.0	
	[1346/1422]	
	53.0/56.0	
	[1346/1422]	
	53.0/56.0	
	[1346/1422]	

C19783	27.6 OZ. FT.	0040105	E46412	PRGY2	LR43341	4211-01
--------	--------------	---------	--------	-------	---------	---------

形位公差	REGAL-BELOIT CORPORATION
□ 平面度	(RBC) 在个别领域为客户
— 直线度	提供技术支持。鉴于RBC
∠ 倾斜度	未收到任何涉及电机使用和
⊥ 垂直度	应用环境的数据，电机的适用性
// 平行度	由客户自己决定。
○ 圆度	未注公差尺寸仅供参考。
⊘ 圆柱度	
△ 面轮廓度	
∩ 线轮廓度	
↗ 圆跳动	
⊕ 位置度	
⊙ 同轴度	
≡ 对称度	

ASME Y14.5M 1994

绘图:	YL	04-15-2011
批准:	HZ	04-15-2011
第三角投影		图纸格式发布日期 11-11-2011 图纸格式版本 G
机密：本图纸及相关信息所有权归REGAL-BELOIT CORPORATION。未经REGAL-BELOIT CORPORATION书面授权，不得泄露、复制或传播作其他用途。—版权所有		

名称	MODEL-RFHP-48FR OUTLINE
图幅	C
图号	OCB1026A
比例	NONE
页号	1

4 3 2 1