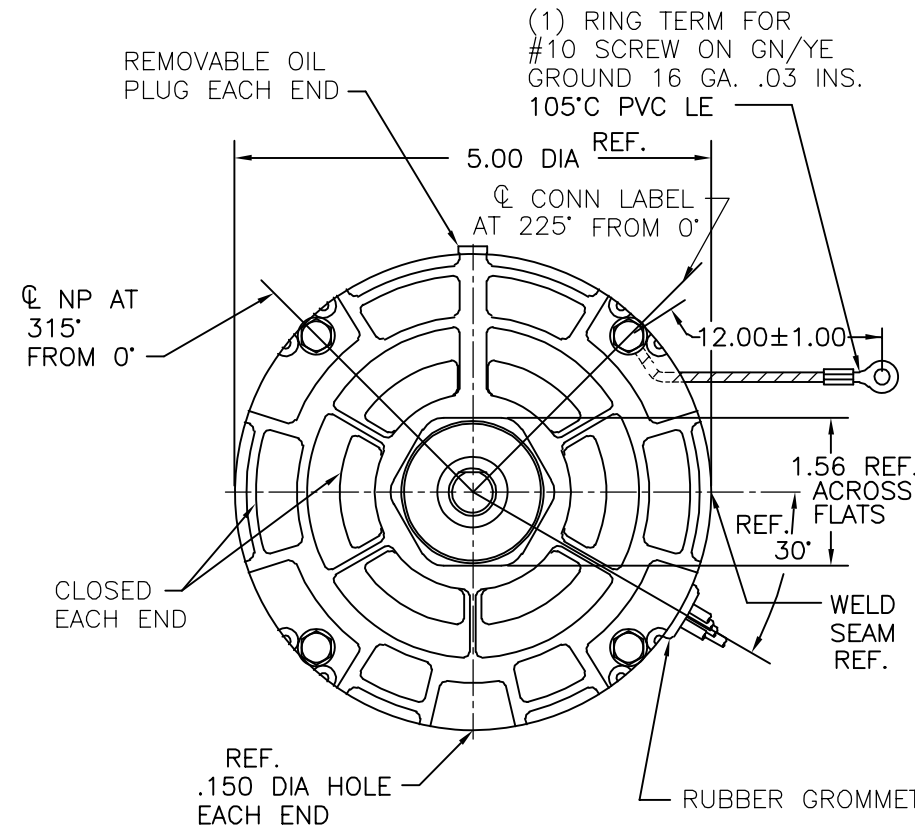
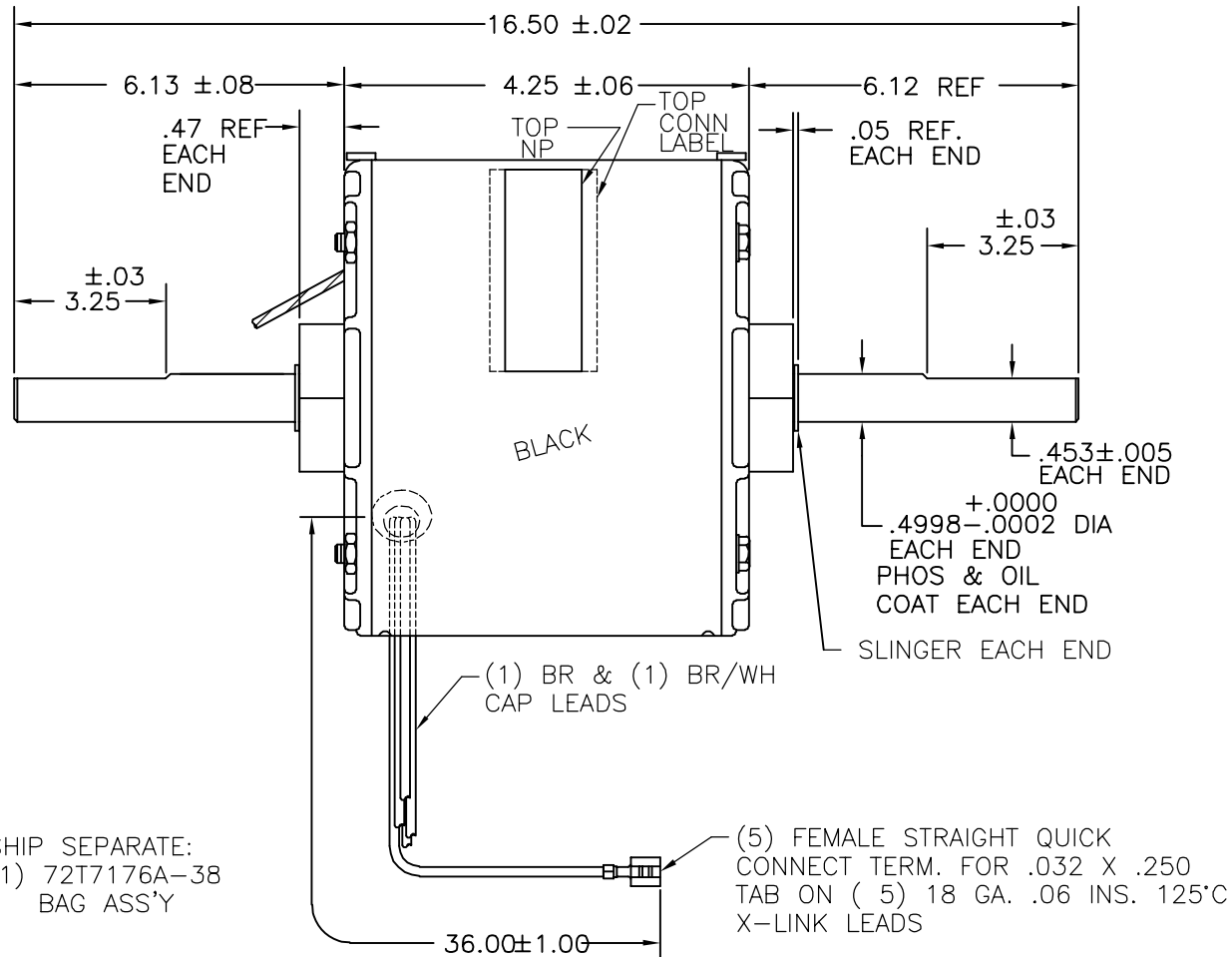


CUSTOMER IS SOLELY RESPONSIBLE FOR MOTOR PERFORMANCE AND SUITABILITY IN APPLICATIONS FOR CUSTOMER'S USES.

DE3G7109N'

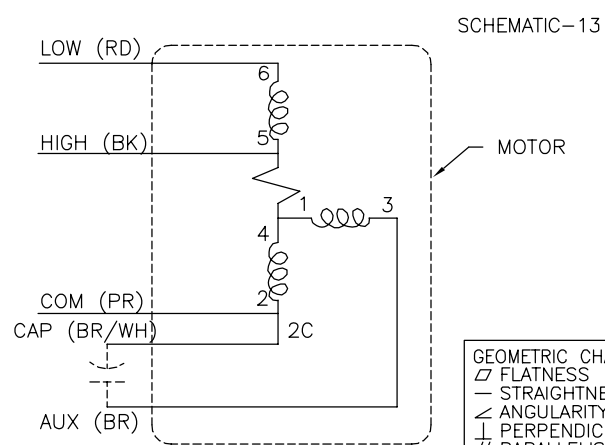
REV	ECO	REV BY	DATE	APPD	DATE
B	0028996	E.SINECIO	10-16-2012	G.ALVIDREZ	10-16-2012



END PLAY .005 MIN - .040 MAX  
 MAX. SHAFT RUN OUT .001 PER INCH  
 MAX. RUN OUT NOT TO EXCEED .010

ELECTRICALLY PER SAMPLE S-9825D

SHIP SEPARATE:  
 (1) 72T7176A-38 BAG ASS'Y



ROT.: - CWLE

NAMEPLATE DATA:

**Century** TIPP CITY, OHIO THERMALLY PROTECTED

SER. DATE & P0# PLT LTR MOD DE3G109N' STOCK NO. 466

VOLTS 208-230 HZ 50/60 AMPS 1.4/1.2

RPM 1075 SP PH 1 CAP 5MFD 370VAC

INS CLB AMB60°C HP 1/4-1/8 CONT AO ROTATION →

BRG SLV ASSEMBLED IN MEXICO

BK- HI 1.4A 1/4HP

RD- LOW 1.2A 1/8HP

BR & BR/WH- CAP

PR- COMMON

CONN. LABEL  
 63T7432-195

<p>GEOMETRIC CHARACTERISTICS &amp; SYMBOLS</p> <ul style="list-style-type: none"> <li>□ FLATNESS</li> <li>- STRAIGHTNESS</li> <li>∠ ANGULARITY</li> <li>⊥ PERPENDICULARITY (SQUARENESS)</li> <li>// PARALLELISM</li> <li>○ ROUNDNESS (CIRCULARITY)</li> <li>∅ CYLINDRICITY</li> <li>△ PROFILE OF ANY SURFACE</li> <li>∩ PROFILE OF ANY LINE</li> <li>↗ RUNOUT</li> <li>⊕ TRUE POSITION</li> <li>◎ CONCENTRICITY</li> <li>≡ SYMMETRY</li> </ul> <p>ASME Y14.5M 1994</p>	<p>UNLESS OTHERWISE SPECIFIED DIM. TOLERANCES ARE AS FOLLOWS:</p> <p>INCH X XX XXX XXXX</p> <p>mm ±0.5 ±0.13 ±0.013</p> <p>ANG. ±.50 DEG</p> <p>REMOVE BURRS &amp; BREAK SHARP EDGES:</p> <p>INCH .003-.015 mm 0.1-0.4</p> <p>CORNER FILLETS TO:</p> <p>INCH .020 mm 0.5</p> <p>MACHINE SURFACES:</p> <p>INCH 125 mm 3.2</p> <p>METRIC DIMS. SHOWN IN [BRACKETS]</p>
--	--

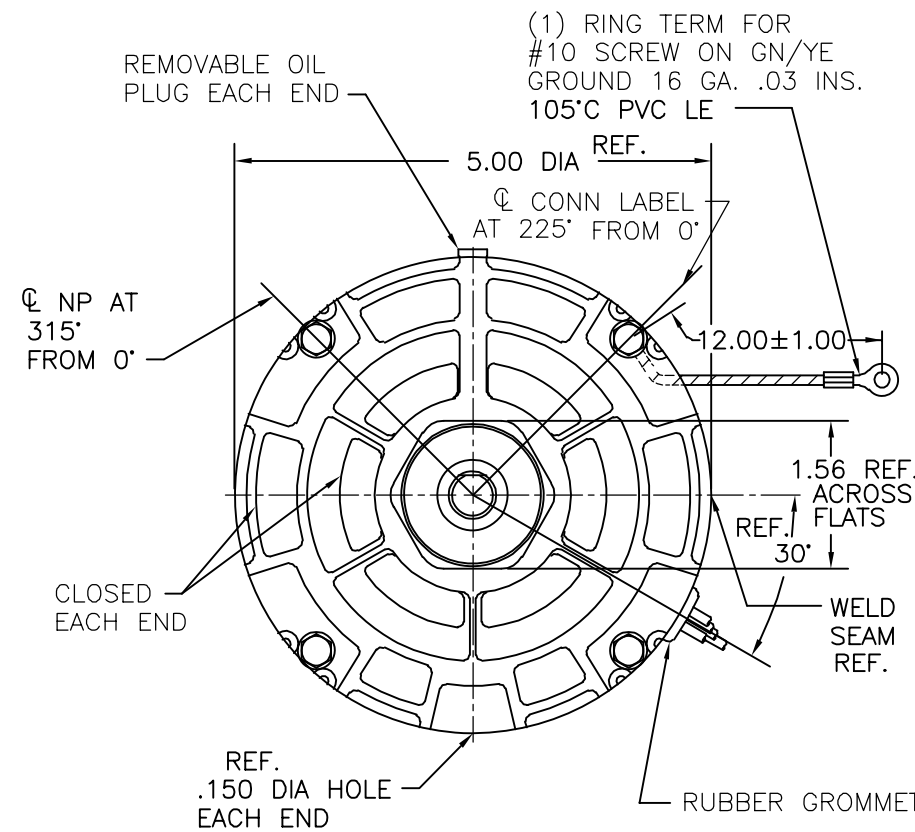
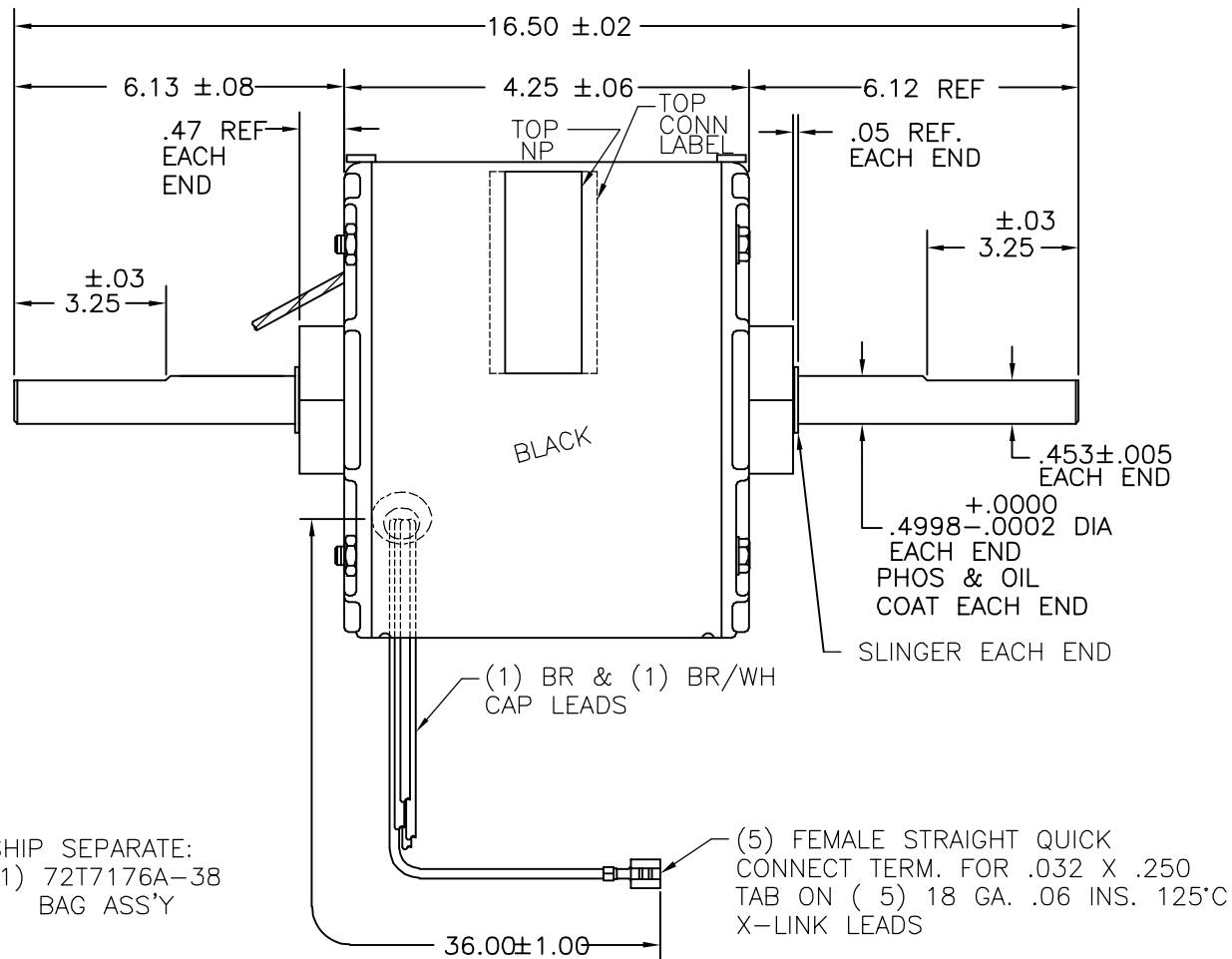
DR BY:	DTS	02-05-2001
APPD:	TLB	
THIRD ANGLE PROJECTION	EDS DATE 11-11-2011	FORMAT REV H
<p>CONFIDENTIAL: THIS DRAWING AND ITS INFORMATION ARE THE EXCLUSIVE AND CONFIDENTIAL PROPERTY OF REGAL-BELOIT CORPORATION AND ARE NOT TO BE DISCLOSED, DUPLICATED, DISTRIBUTED OR OTHERWISE USED WITHOUT THE WRITTEN CONSENT OF REGAL-BELOIT CORPORATION. -ALL RIGHTS RESERVED.</p>		

<p><b>REGAL</b> REGAL-BELOIT CORPORATION</p>	
<p>DESCRIPTION</p> <p>MODEL-RFHP-42FR                  OUTLINE</p>	
SIZE	DWG NO
C	DE3G7109
SCALE	SHEET
NONE	1

CUSTOMER IS SOLELY RESPONSIBLE FOR MOTOR PERFORMANCE AND SUITABILITY IN APPLICATIONS FOR CUSTOMER'S USES.

DE3G7109N'

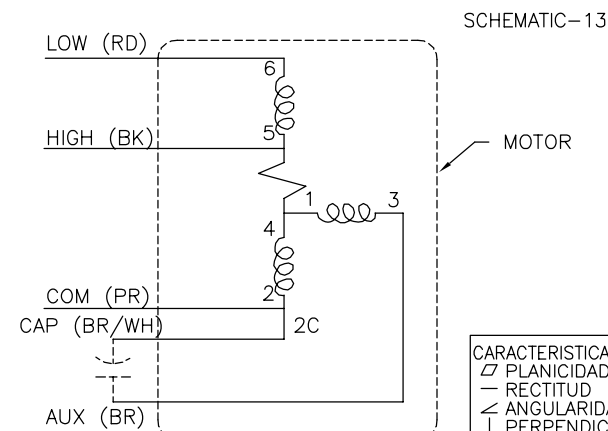
REVISION:	ECO	REVISADO POR:	FECHA:	APROBADO POR:	FECHA:
B	0028996	E.SINECIO	10-16-2012	G.ALVIDREZ	10-16-2012



END PLAY .005 MIN - .040 MAX  
MAX. SHAFT RUN OUT .001 PER INCH  
MAX. RUN OUT NOT TO EXCEED .010

ELECTRICALLY PER SAMPLE S-9825D

SHIP SEPARATE:  
(1) 72T7176A-38 BAG ASS'Y



ROT.: - CWLE

NAMEPLATE DATA:



TIPP CITY, OHIO  
THERMALLY PROTECTED



SER. DATE & P0# PLT LTR MOD DE3G109N' STOCK NO. 466  
VOLTS 208-230 HZ 50/60 AMPS 1.4/1.2  
RPM 1075 SP PH 1 CAP 5MFD 370VAC  
INS CLB AMB60°C HP 1/4-1/8 CONT AO ROTATION →  
BRG SLV ASSEMBLED IN MEXICO  
BK- HI 1.4A 1/4HP  
RD- LOW 1.2A 1/8HP  
BR & BR/WH- CAP  
PR- COMMON

CONN. LABEL  
63T7432-195

CARACTERISTICAS DE GEOMETRIA Y SIMBOLOS

- PLANICIDAD
- RECTITUD
- ∠ ANGULARIDAD
- ⊥ PERPENDICULARIDAD (A ESQUADRA)
- // PARALELISMO
- REDONDEZ (CIRCULARIDAD)
- ∅ CILINDRICIDAD
- △ PERFIL DE CUALQUIER SUPERFICIE
- ∩ PERFIL DE CUALQUIER LINEA
- ∧ VARIACION
- ⊕ POSICION REAL
- ◎ CONCENTRICIDAD
- = SIMETRIA

A MENOS QUE SE ESPECIFIQUE DE OTRA MANERA, LAS TOLERANCIAS DE LAS DIMS; SON LAS SIGUIENTES:

PULG ±.1 ±.02 ±.005 ±.0005  
mm ±0.5 ±0.13 ±0.013

ANG. ± 50 GRADOS

ELIMINAR REBABAS Y ORILLAS FILOSAS DEL BORDE.

PULG .003-.015 mm 0.1-0.4

FILETEAR ESQUINA: PULG .020 mm 0.5

MAQUINAR SUPERFICIES

PULG 125 mm 3.2

DIMS METRICAS MOSTRADAS [PARENTESIS]

DIBUJADO POR:	DTS	02-05-2001
APROBADO POR:	TLB	
TERCER ANGULO DE PROYECCION	⊕	FECHA EDS: 11-11-2011 REV. FORMATO: H
CONFIDENCIAL: ESTE DIBUJO Y SU INFORMACION SON PROPIEDAD DE USO EXCLUSIVO Y CONFIDENCIAL DE REGAL-BELOIT CORPORATION. Y NO DEBERAN SER REVELADOS, DUPLICADOS, DISTRIBUIDOS O USARSE DE OTRA MANERA SIN EL CONSENTIMIENTO ESCRITO DE REGAL-BELOIT CORPORATION. -TODOS LOS DERECHOS RESERVADOS.		

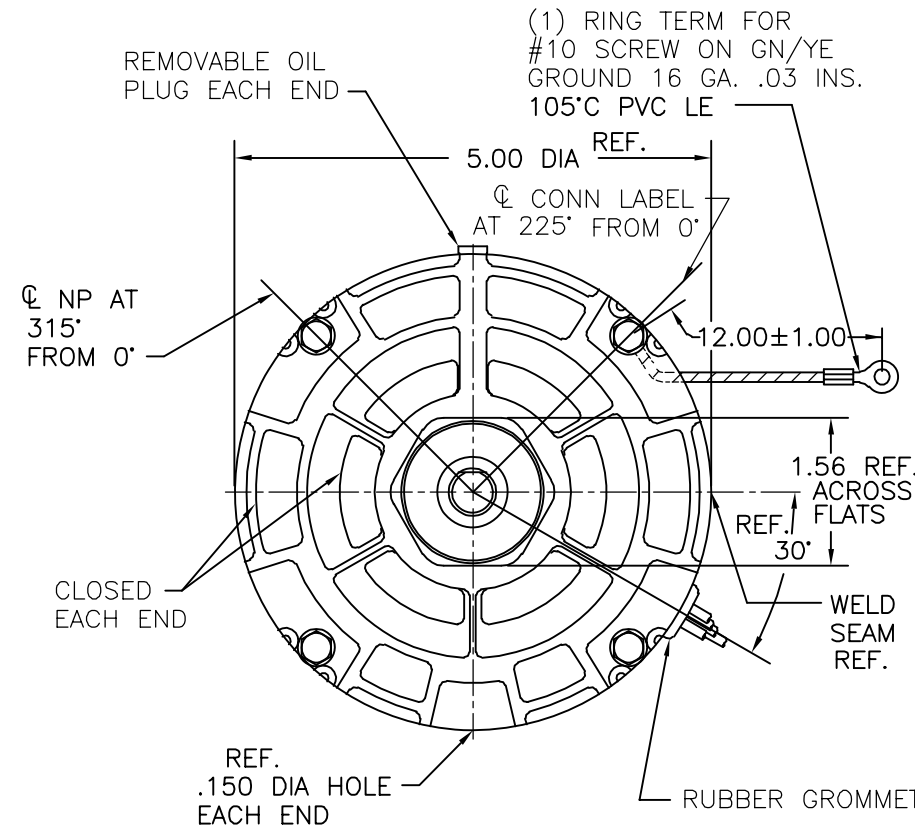
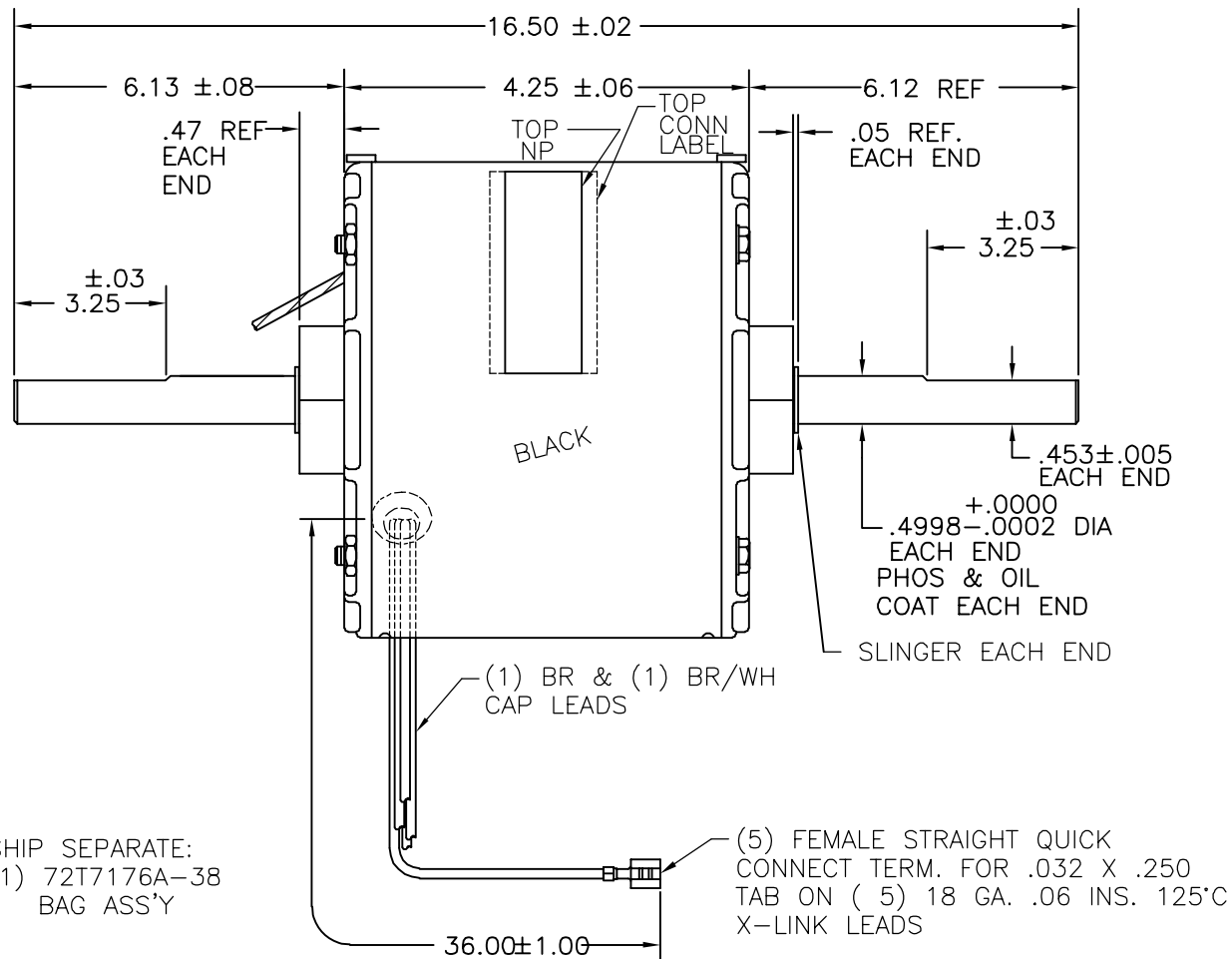


DESCRIPCION:	
MODEL-RFHP-42FR OUTLINE	
TAMAÑO: C	NUMERO DE DIBUJO: DE3G7109
ESCALA: NONE	HOJA: 1

CUSTOMER IS SOLELY RESPONSIBLE FOR MOTOR PERFORMANCE AND SUITABILITY IN APPLICATIONS FOR CUSTOMER'S USES.

DE3G7109N'

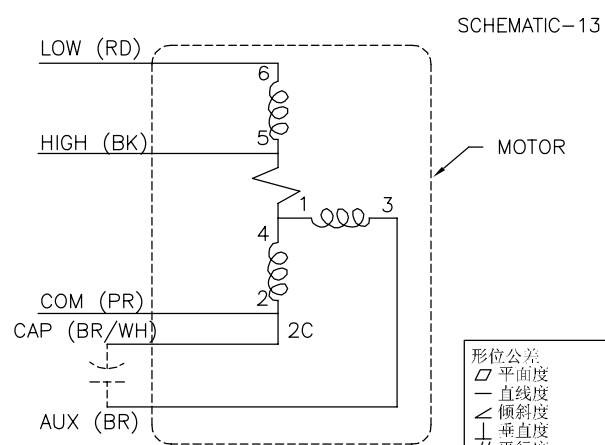
版本	ECO	编制	日期	批准	日期
B	0028996	E.SINECIO	10-16-2012	G.ALVIDREZ	10-16-2012



ELECTRICALLY PER SAMPLE S-9825D

END PLAY .005 MIN - .040 MAX  
MAX. SHAFT RUN OUT .001 PER INCH  
MAX. RUN OUT NOT TO EXCEED .010

SHIP SEPARATE:  
(1) 72T7176A-38 BAG ASS'Y



ROT.: - CWLE

NAMEPLATE DATA:

**Century** TIPP CITY, OHIO THERMALLY PROTECTED **UL**

SER. DATE & P0# PLT LTR MOD DE3G109N' STOCK NO. 466  
VOLTS 208-230 HZ 50/60 AMPS 1.4/1.2  
RPM 1075 SP PH 1 CAP 5MFD 370VAC  
INS CLB AMB60°C HP 1/4-1/8 CONT AO → ROTATION →  
BRG SLV ASSEMBLED IN MEXICO

BK- HI 1.4A 1/4HP  
RD- LOW 1.2A 1/8HP  
BR & BR/WH- CAP  
PR- COMMON

CONN. LABEL 63T7432-195

形位公差	除另有注明
□ 平面度	尺寸公差如下:
— 直线度	英寸 X XX XXX XXXX
∠ 倾斜度	英寸 ±.1 ±.02 ±.005 ±.0005
⊥ 垂直度	毫米 ±0.5 ±0.13 ±0.013
// 平行度	角度 ±.50 度
○ 圆度	清理毛刺和尖棱
⊙ 圆柱度	英寸 .003-.015 毫米 0.1-0.4
⊖ 面轮廓度	内圆角
△ 线轮廓度	英寸 .020 毫米 0.5
⌒ 圆跳动	表面粗糙度
⊕ 位置度	英制 125 米制 3.2
⊙ 同轴度	米制尺寸显示在 [ ]

绘图:	DTS	02-05-2001
批准:	TLB	
第三角投影		图纸格式发布日期 11-11-2011 图纸格式版本 H
机密: 本图纸及相关信息所有权归REGAL-BELOIT CORPORATION. 未经REGAL-BELOIT CORPORATION书面授权, 不得泄露、复制、传播或作其他用途。—版权所有		

<b>REGAL</b> REGAL-BELOIT CORPORATION	
名称	MODEL-RFHP-42FR OUTLINE
图幅	C
图号	DE3G7109
比例	NONE
页号	1

ASME Y14.5M 1994