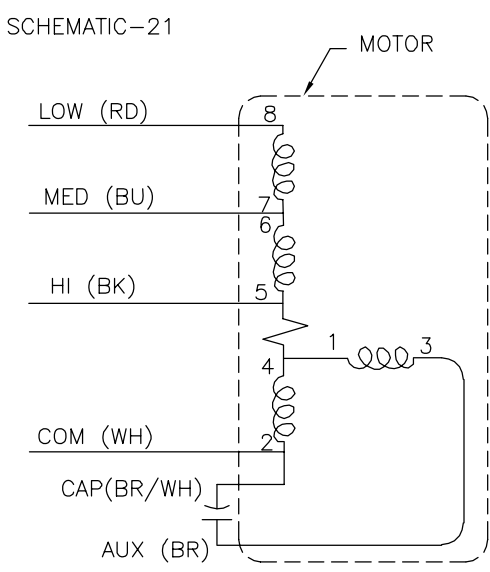
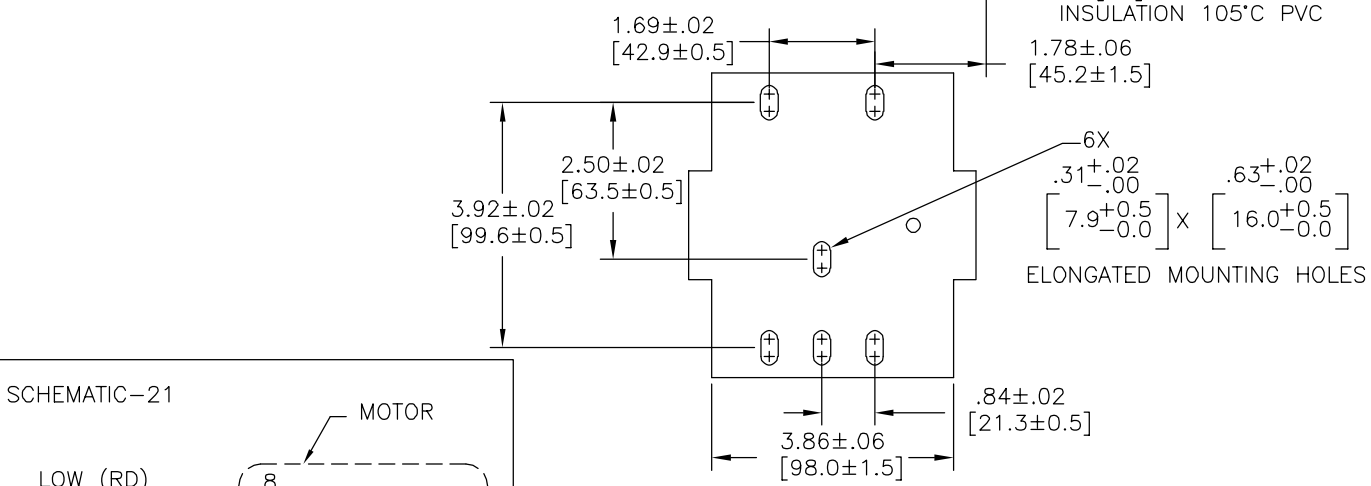
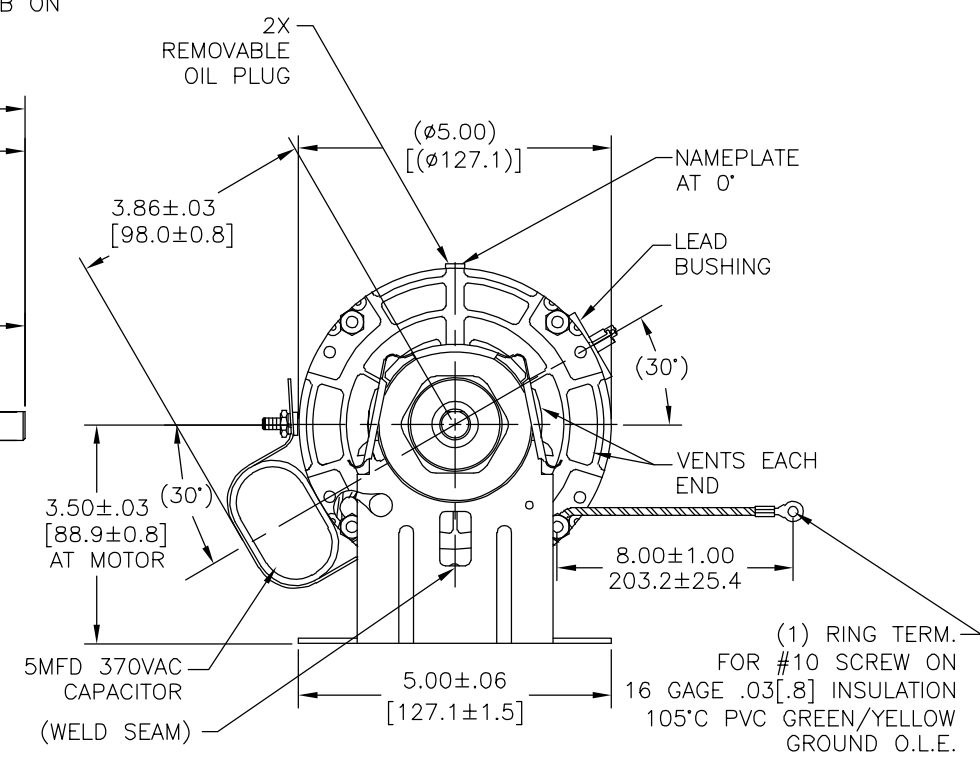
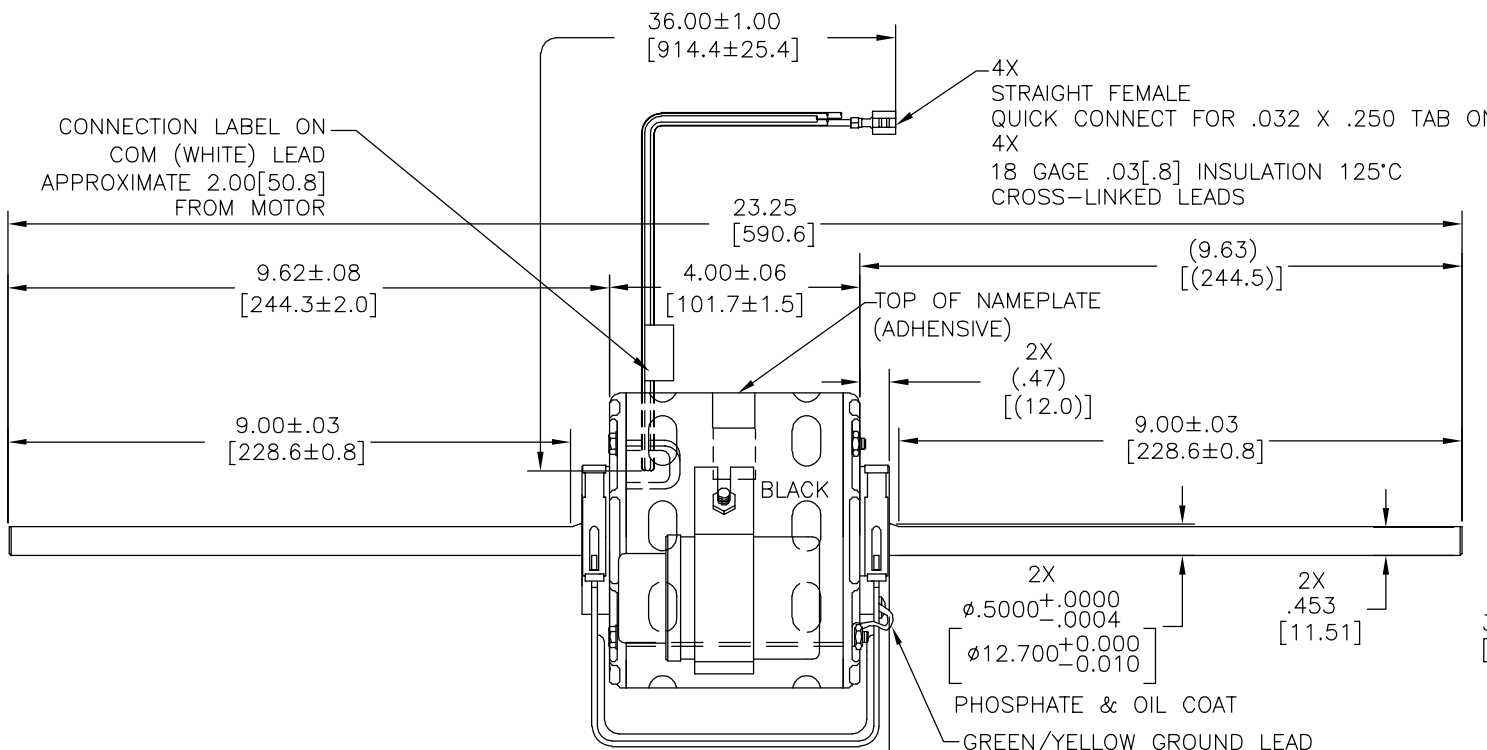


4 3 2 1

CUSTOMER IS SOLELY RESPONSIBLE FOR MOTOR PERFORMANCE AND SUITABILITY IN APPLICATIONS FOR CUSTOMER'S USES

END PLAY .005[.13] MINIMUM-.040 [1.02] MAXIMUM
 MAXIMUM SHAFT RUN OUT .001[.03] PER INCHES
 MAXIMUM RUN OUT NOT EXCEED .0075[.191]



NOTE:
 1. DISTRIBUTION PART NUMBER: 467A
 GRAINGER PART NUMBER: 4UU24

CONNECTION LABEL
 63T7433-14

SEE NOTE

ROT: CCWLE

NAMEPLATE DATA:

Century Tipp City, OH THERMALLY PROTECTED

SER. DATE & PO# PLT LTR MOD DE2G129N []

VOLTS 208-230 HZ 60 AMPS 1.0

RPM 1625 SP PH1 CAP 5MFD 370VAC

INS CL AMB40°C HP AO ← ROTATION →

BRG SLV ASSEMBLED IN MEXICO

BK-HI 1.0A 1/5HP

BU-MED .76A 1/8HP

RD-LOW .61A 1/10HP

WH-COM BR & BR/WH-CAP

ELECTRICALLY PER SAMPLE
 9334D CURVE #32334

DRAWING REVISION	REVISION BY	DATE	TOLERANCES UNLESS OTHERWISE SPECIFIED
D	D.DUARTE	02-18-2014	DEC. INCH mm ANGLE
ECO	APPROVED BY	DATE	.X ±0.1 [±2.5] ±0.5°
ECO-0045696	D.VALENCIANO	02-18-2014	.XX ±0.02 [±0.51]
ECO DESCRIPTION			.XXX ±0.005 [±0.127]
CHANGE ROTATION TO OUTLINE			.XXXX ±0.0005 [±0.0127]
COPYRIGHT REGAL BELOIT AMERICA, INC. ALL RIGHTS RESERVED. PROPRIETARY AND CONFIDENTIAL INFORMATION - THIS DOCUMENT IS THE PROPERTY OF REGAL BELOIT AMERICA, INC. (OWNER) AND CONTAINS OWNER'S PROPRIETARY INFORMATION. ANY PERSON, CORPORATION OR OTHER FIRM RECEIVING IT IS DEEMED, BY RECEIVING IT, TO AGREE THAT IT, AND/OR ANY PART OF IT, SHALL NOT BE DISCLOSED TO ANY PERSON, CORPORATION OR OTHER ENTITY, DUPLICATED, AND/OR USED, EXCEPT AS EXPRESSLY APPROVED IN WRITING IN ADVANCE BY OWNER. THIS DOCUMENT SHALL BE RETURNED TO OWNER UPON REQUEST. IT MAY BE SUBJECT TO CERTAIN RESTRICTIONS UNDER APPLICABLE EXPORT CONTROL LAWS AND REGULATIONS.			REMOVE BURRS & BREAK SHARP EDGES .003/.015 [0.076/.381] CORNER FILLETS .02 [1.51] MACHINED SURFACES .125 INCH/mm 32/ mm SHOWN IN [BRACKETS]

DRAWN BY:	AS	DATE:	06-20-2011
APPROVED BY:	BS	DATE:	06-20-2011
PROCESS/FINISH		MATERIAL	
THIRD ANGLE PROJECTION		SIZE DWG NO	467A
		SHEET	1

REGAL Regal Beloit America, Inc.

MODEL-RFHP-42FR OUTLINE