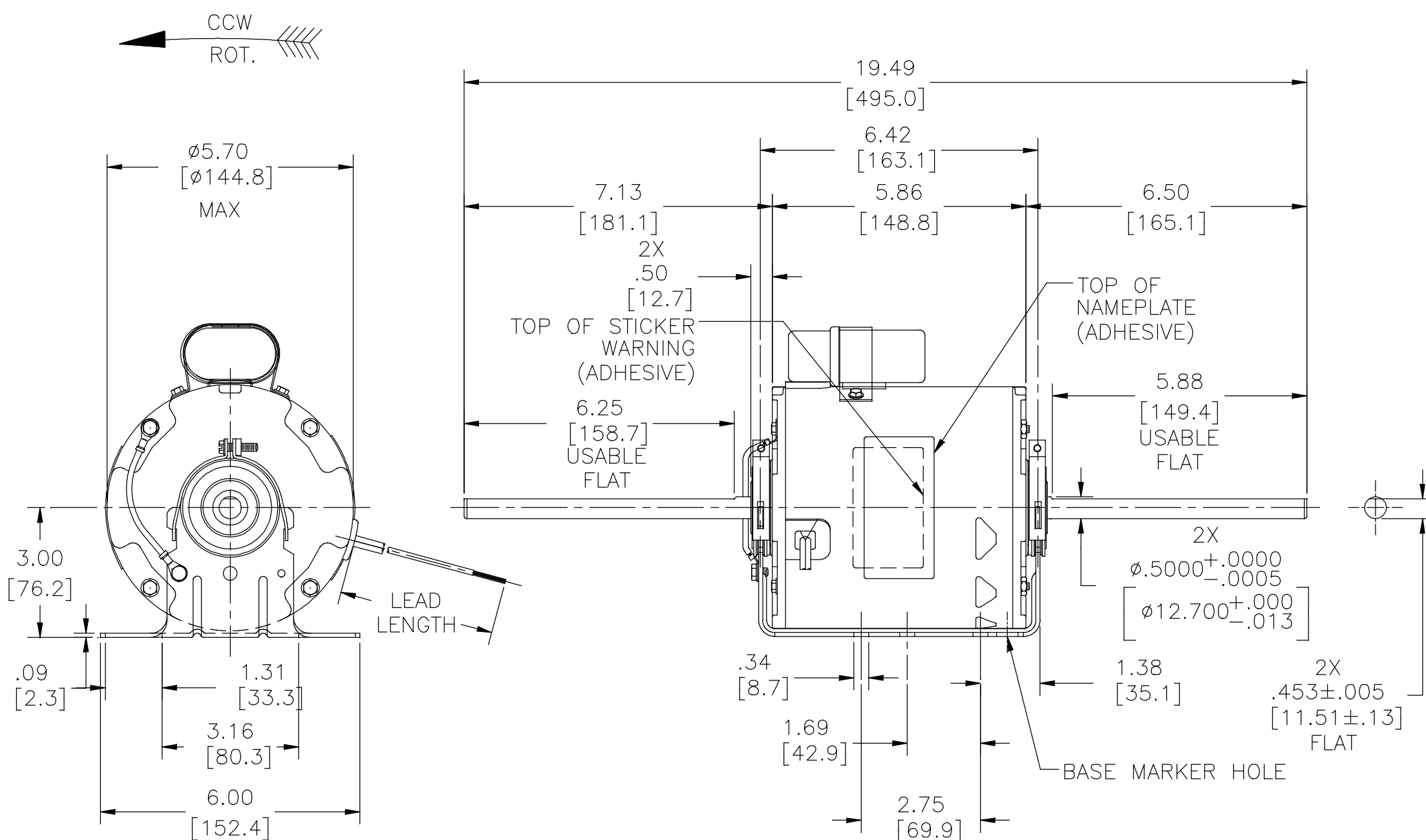


GENERAL INFORMATION:

SHAFT RUNOUT: .001 [.03] T.I.R. PER INCH LENGTH OF EXTENSION
 END PLAY: .010 [.25] TO .063 [1.60]
 BEARINGS: SLEEVE
 MOUNTING POSITION: HORIZONTAL

ELECTRICAL DATA:

OVERLOAD PROTECTOR: AUTOMATIC RESET (SENSATA 7AM 036)
 LEADS: NO. 18 GA., .06 [1.5] THK., EPDM 125°C INSUL.
 GROUND LEAD: NO. 18 GA., .03 [.8] THK. (GREEN) INSUL.



NAMEPLATE DATA:	EXTERNAL CONNECTION DIAGRAM
MODEL NO.: F48U88A01 CUST. P/N: RAB1034S HP: 1/3 ROT.: CCWLE RPM: 1625/1350 TYPE: UF FRAME: 48Y VOLTS: 208-240/220 PH: 1 AMPS: 2.4 HZ: 60/50 INS.: B AMB.: 40°C DUTY: AIR OVER CAP: 5 MFD/370V ENCL: SEMI-ENCL UL LOGO CSA LOGO THERMALLY PROTECTED	<p>614131-230</p>

COLOR	LENGTH	TERMINAL OR STRIP LENGTH
GREEN (GRD)	CONNECTED TO BASE	#10 EYELET
BROWN	CONNECTED TO CAPACITOR	.25 [6.4] SKIN
BROWN/WHITE	CONNECTED TO CAPACITOR	.25 [6.4] SKIN
BLACK	11.0/13.0 [279/330]	.50 [12.7] SKIN
BLACK	11.0/13.0 [279/330]	.50 [12.7] SKIN

REGAL-BELOIT CORPORATION (RBC) PROVIDES TECHNICAL ASSISTANCE TO OUR CUSTOMERS IN SEVERAL AREAS. SINCE RBC DOES NOT RECEIVE ALL DATA CONCERNING THE USE AND APPLICATION OF THE MOTOR, THE SUITABILITY OF THE MOTOR FOR THE APPLICATION MUST BE DETERMINED BY THE CUSTOMER.

DIMENSIONS WITHOUT TOLERANCES ARE FOR REFERENCE ONLY.

MAIN FRAME - OLE	SEMI-ENCL
END FRAME - OLE	ENCLOSED
MAIN FRAME - LE	ENCLOSED
END FRAME - LE	ENCLOSED

CUSTOMER	DISTRIBUTION SERVICE

PERFORMANCE CURVE NO.	TORQUE @ 1625 RPM (25°C)	APPROVED SAMPLE	UL COMPONENT FILE #	CCN #	CSA FILE #	CLASS #
C32247	21 OZ. FT.	0442579B	E46412	PRGY2	LR43341	4211-01

DRAWING REVISION	REVISION BY	DATE
B	J. RUPERT	10-05-2018
ECO	APPROVED BY J. RUPERT	DATE 10-05-2018
ECO-0154155		
CORRECTED LEAD MATERIAL FROM PVC		

DRAWN BY: G. ZHAO	Regal Beloit America, Inc.
DATE: 10-29-2013	
APPROVED BY: B. SHEN	DESCRIPTION: MODEL-RFHP-48FR OUTLINE
DATE: 10-29-2013	MATERIAL: _____
REFERENCE: _____	PROCESS/FINISH: _____
THIRD ANGLE PROJECTION	SIZE DWG NO: C RAB1034S
	SHEET 1

COPYRIGHT REGAL-BELOIT AMERICA, INC. ALL RIGHTS RESERVED. PROPRIETARY AND CONFIDENTIAL INFORMATION - THIS DOCUMENT IS THE PROPERTY OF REGAL-BELOIT AMERICA, INC. (OWNER) AND CONTAINS OWNER'S PROPRIETARY INFORMATION. ANY PERSON, CORPORATION OR OTHER FIRM RECEIVING IT IS DEEMED, BY RECEIVING IT, TO AGREE THAT IT, AND/OR ANY PART OF IT, SHALL NOT BE DISCLOSED TO ANY PERSON, CORPORATION OR OTHER ENTITY, DUPLICATED, AND/OR USED, EXCEPT AS EXPRESSLY APPROVED IN WRITING IN ADVANCE BY OWNER. THIS DOCUMENT SHALL BE RETURNED TO OWNER UPON REQUEST. IT MAY BE SUBJECT TO CERTAIN RESTRICTIONS UNDER APPLICABLE EXPORT CONTROL LAWS AND REGULATIONS.