

4

3

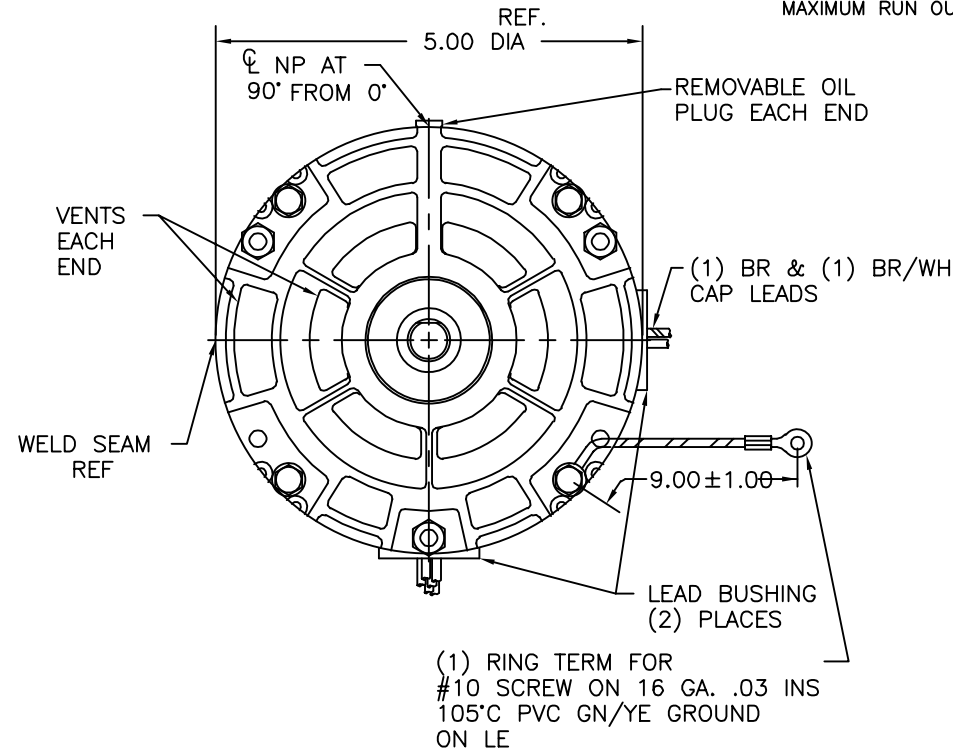
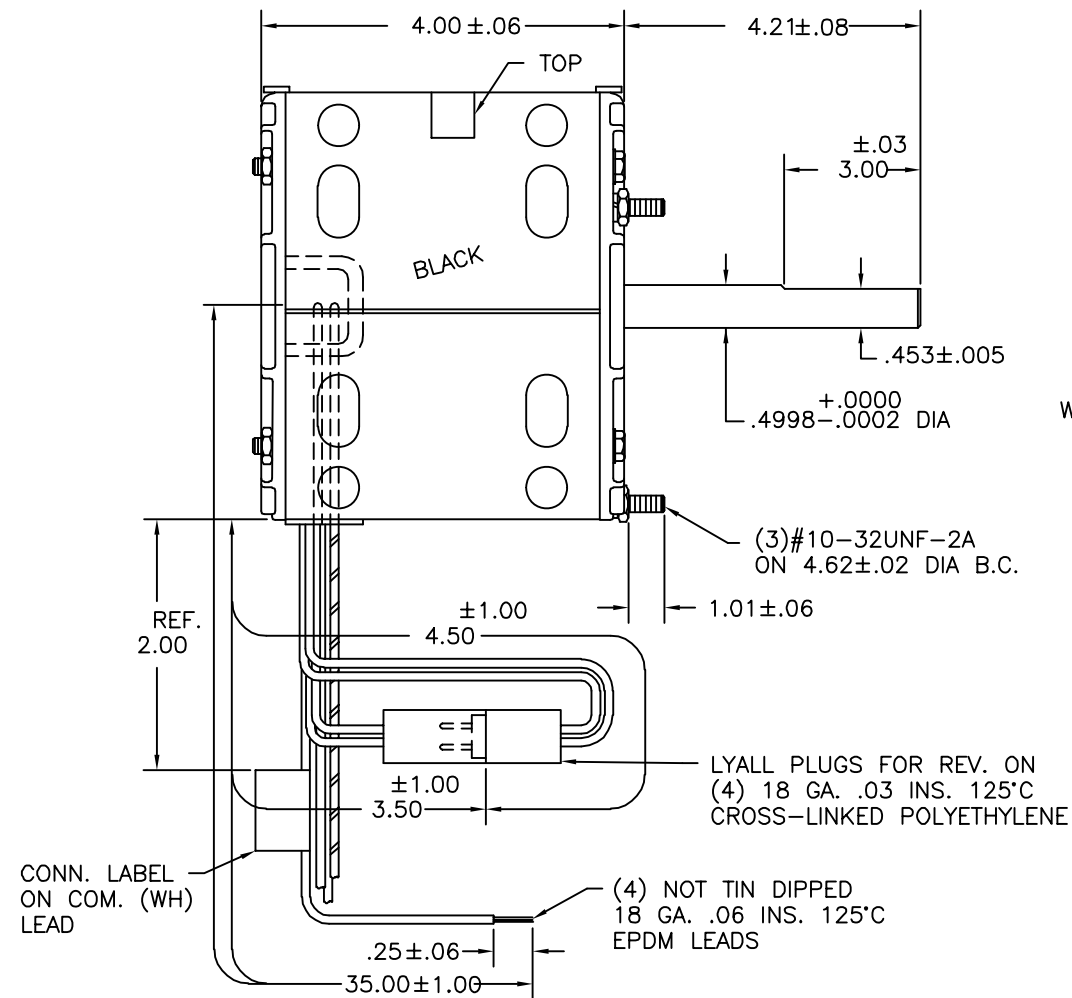
2

1

CUSTOMER IS SOLELY RESPONSIBLE FOR MOTOR PERFORMANCE AND SUITABILITY IN APPLICATIONS FOR CUSTOMER'S USES.

REV	ECO	REV BY	DATE	APPD	DATE
B	0029000	I.ORTIZ	10-17-2012	M.AVILA	10-17-2012

ENDPLAY .005 MIN - .040 MAX
 MAXIMUM SHAFT RUNOUT .001 PER INCH
 MAXIMUM RUN OUT NOT TO EXCEED .010

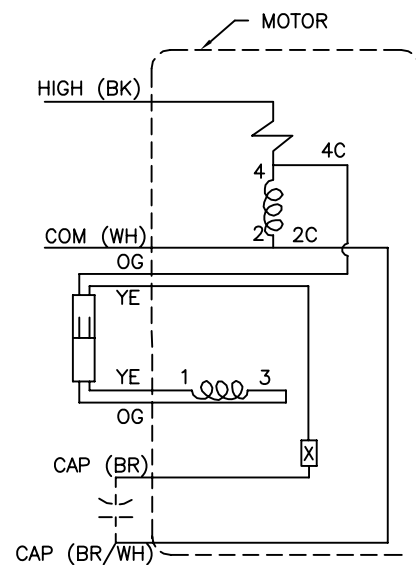


ELECTRICALLY PER SAMPLE S-578E

CWLE	PLUG IN ORANGE LEAD TO ORANGE LEAD
CCWLE	PLUG IN YELLOW LEAD TO ORANGE LEAD

MOTOR CONNECTED FOR CWLE ROTATION

SCHMATIC-48 ROT.:— REVERSIBLE



NAMEPLATE DATA:



TIPP CITY, OHIO



THERMALLY PROTECTED

SER. DATE & P0# PLT LTR MOD DE3P7002N' STK. NO. 667
 VOLTS 208-230 HZ 60 AMPS 1.5
 RPM 1075 SP PH1 CAP 7.5MFD 370VAC
 INS CLB AMB 60C HP 1/5 CONT AO ← REV →
 BRG SLV ASSEMBLED IN MEXICO

CONN. LABEL
 63T7433-17

GEOMETRIC CHARACTERISTICS & SYMBOLS
 □ FLATNESS
 — STRAIGHTNESS
 ∠ ANGULARITY
 ⊥ PERPENDICULARITY (SQUARENESS)
 ∥ PARALLELISM
 ○ ROUNDNESS (CIRCULARITY)
 ⌀ CYLINDRICITY
 △ PROFILE OF ANY SURFACE
 ∩ PROFILE OF ANY LINE
 ⤴ RUNOUT
 ⊕ TRUE POSITION
 ⊙ CONCENTRICITY
 = SYMMETRY
 ASME Y14.5M 1994

UNLESS OTHERWISE SPECIFIED DIM. TOLERANCES ARE AS FOLLOWS:
 INCH X XX XXX XXXX
 mm ±0.5 ±0.13 ±0.013
 ANG. ±.50 DEG
 REMOVE BURRS & BREAK SHARP EDGES:
 INCH .003-.015 mm 0.1-0.4
 CORNER FILLETS TO:
 INCH .020 mm 0.5
 MACHINE SURFACES:
 INCH 125 mm 3.2
 METRIC DIMS. SHOWN IN [BRACKETS]

DR BY:	TLB	02-12-2001
APPD:	DRB	
THIRD ANGLE PROJECTION	EDS DATE 11-11-2011	FORMAT REV H
CONFIDENTIAL: THIS DRAWING AND ITS INFORMATION ARE THE EXCLUSIVE AND CONFIDENTIAL PROPERTY OF REGAL-BELOIT CORPORATION AND ARE NOT TO BE DISCLOSED, DUPLICATED, DISTRIBUTED OR OTHERWISE USED WITHOUT THE WRITTEN CONSENT OF REGAL-BELOIT CORPORATION. -ALL RIGHTS RESERVED.		

REGAL REGAL-BELOIT CORPORATION

DESCRIPTION	
MODEL-RFHP-42FR OUTLINE	
SIZE	DWG NO
C	DE3P7002
SCALE	SHEET
NONE	1

4

3

2

1

4

3

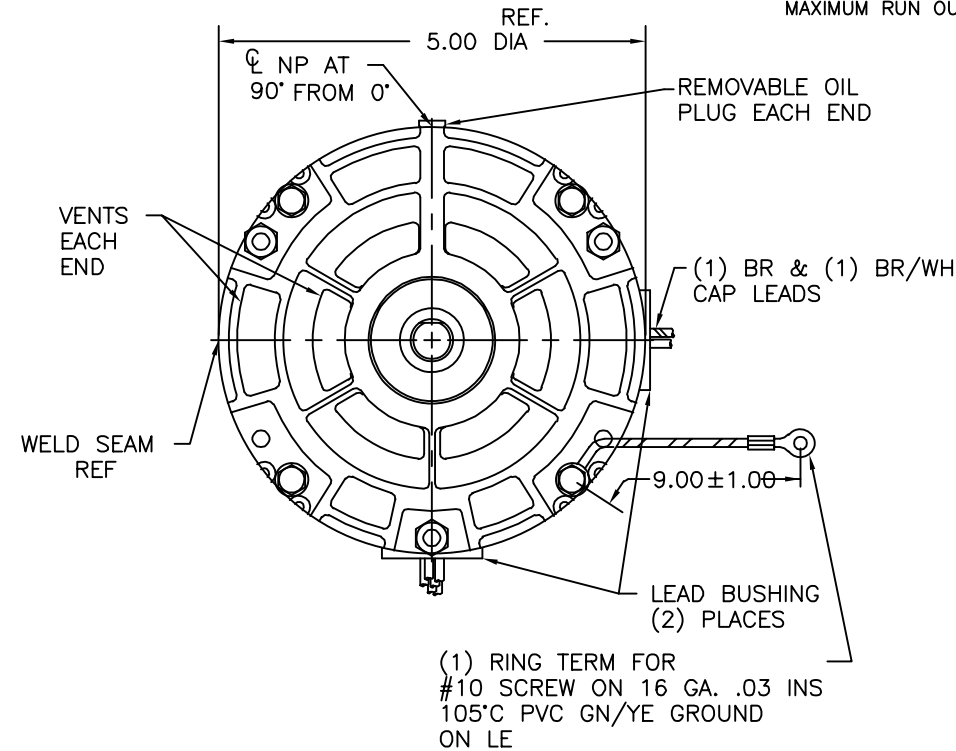
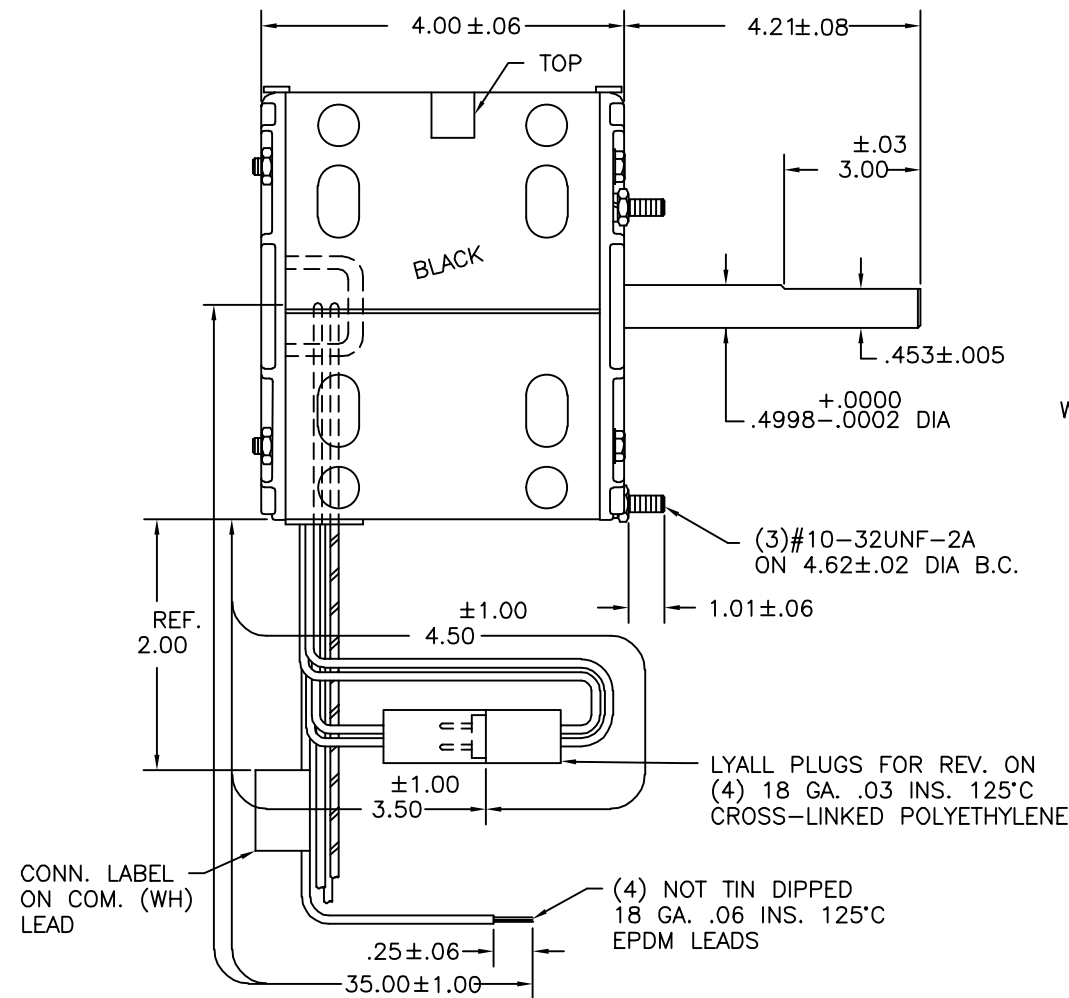
2

1

CUSTOMER IS SOLELY RESPONSIBLE FOR MOTOR PERFORMANCE AND SUITABILITY IN APPLICATIONS FOR CUSTOMER'S USES.

REVISION:	ECO	REVISADO POR:	FECHA:	APROBADO POR:	FECHA:
B	0029000	I.ORTIZ	10-17-2012	M.AVILA	10-17-2012

ENDPLAY .005 MIN - .040 MAX
 MAXIMUM SHAFT RUNOUT .001 PER INCH
 MAXIMUM RUN OUT NOT TO EXCEED .010

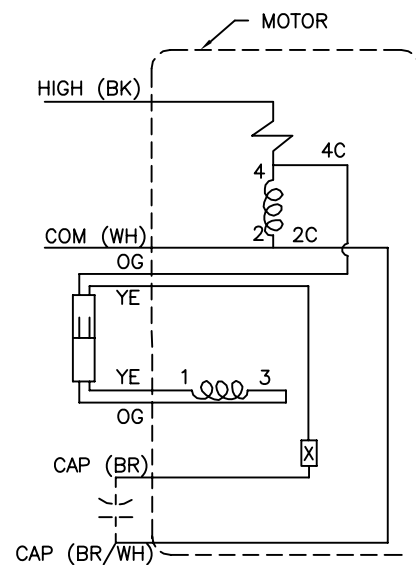


ELECTRICALLY PER SAMPLE S-578E

CWLE	PLUG IN ORANGE LEAD TO ORANGE LEAD
CCWLE	PLUG IN YELLOW LEAD TO ORANGE LEAD

MOTOR CONNECTED FOR CWLE ROTATION

SCHMATIC-48 ROT.:— REVERSIBLE



NAMEPLATE DATA:



TIPP CITY, OHIO



THERMALLY PROTECTED

SER. DATE & P0# PLT LTR MOD DE3P7002N' STK. NO. 667
 VOLTS 208-230 HZ 60 AMPS 1.5
 RPM 1075 SP PH1 CAP 7.5MFD 370VAC
 INS CLB AMB 60C HP 1/5 CONT AO ← REV →
 BRG SLV ASSEMBLED IN MEXICO

CONN. LABEL
 63T7433-17

CARACTERISTICAS DE GEOMETRIA Y SIMBOLOS
 ▽ PLANICIDAD
 — RECTITUD
 < ANGULARIDAD
 ⊥ PERPENDICULARIDAD (A ESCUADRA)
 // PARALELISMO
 ○ REDONDEZ (CIRCULARIDAD)
 ∅ CILINDRICIDAD
 △ PERFIL DE CUALQUIER SUPERFICIE
 ∇ PERFIL DE CUALQUIER LINEA
 ∠ VARIACION
 ⊕ POSICION REAL
 ⊙ CONCENTRICIDAD
 = SIMETRIA

A MENOS QUE SE ESPECIFIQUE DE OTRA MANERA, LAS TOLERANCIAS DE LAS DIMS; SON LAS SIGUIENTES:
 PULG ±.1 ±.02 ±.005 ±.0005
 mm ±0.5 ±0.13 ±0.013
 ANG. ±50 GRADOS
 ELIMINAR REBABAS Y ORILLAS FILOSAS DEL BORDE.
 PULG .003-.015 mm 0.1-0.4
 FILETEAR ESQUINA: PULG .020 mm 0.5
 MAQUINAR SUPERFICIES
 PULG 125 mm 3.2

DIBUJADO POR:
 TLB

02-12-2001

APROBADO POR:
 DRB

TERCER ANGULO DE PROYECCION



FECHA EDS: 11-11-2011
 REV. FORMATO: H

CONFIDENCIAL: ESTE DIBUJO Y SU INFORMACION SON PROPIEDAD DE USO EXCLUSIVO Y CONFIDENCIAL DE REGAL-BELOIT CORPORATION. Y NO DEBERAN SER REVELADOS, DUPLICADOS, DISTRIBUIDOS O USARSE DE OTRA MANERA SIN EL CONSENTIMIENTO ESCRITO DE REGAL-BELOIT CORPORATION. -TODOS LOS DERECHOS RESERVADOS.



REGAL-BELOIT CORPORATION

DESCRIPCION:

MODEL-RFHP-42FR
 OUTLINE

TAMAÑO: C

NUMERO DE DIBUJO:
 DE3P7002

ESCALA: NONE

HOJA: 1

4

3

2

1

4

3

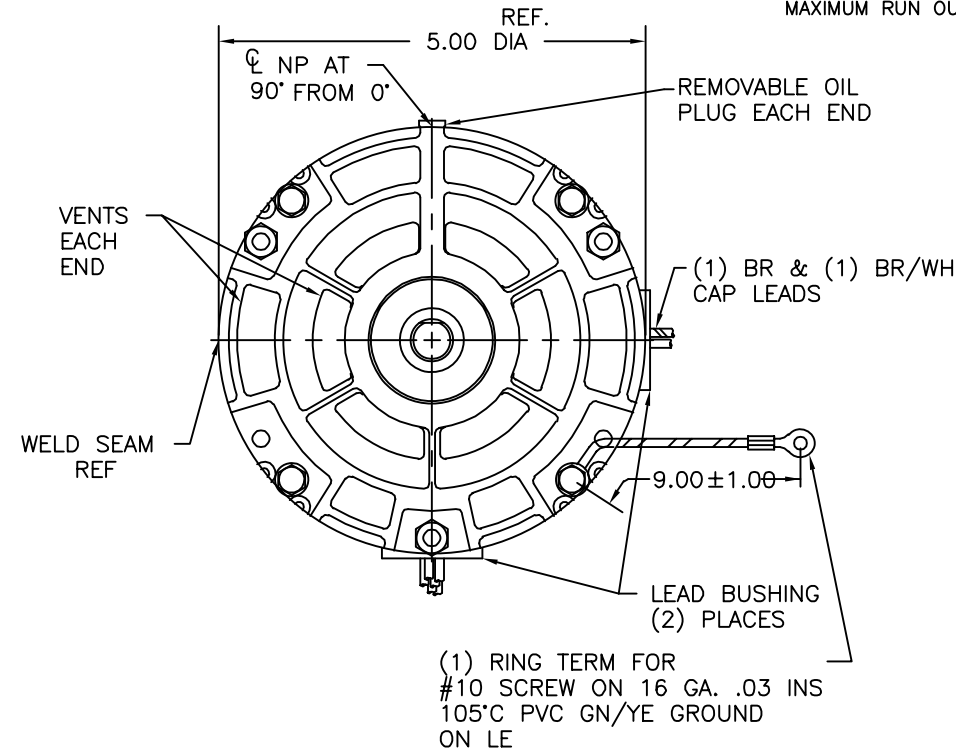
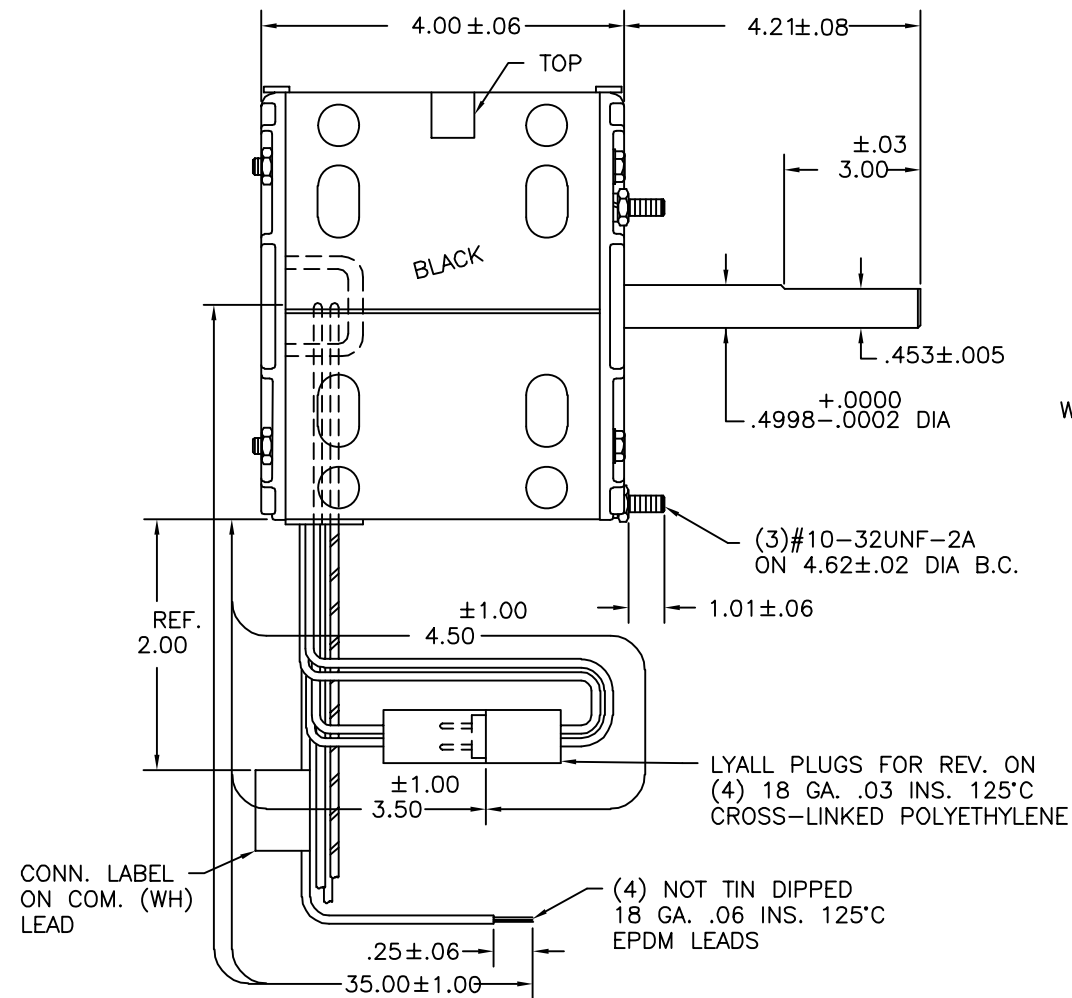
2

1

CUSTOMER IS SOLELY RESPONSIBLE FOR MOTOR PERFORMANCE AND SUITABILITY IN APPLICATIONS FOR CUSTOMER'S USES.

版本	ECO	编制	日期	批准	日期
B	0029000	I.ORTIZ	10-17-2012	M.AVILA	10-17-2012

ENDPLAY .005 MIN - .040 MAX
 MAXIMUM SHAFT RUNOUT .001 PER INCH
 MAXIMUM RUN OUT NOT TO EXCEED .010

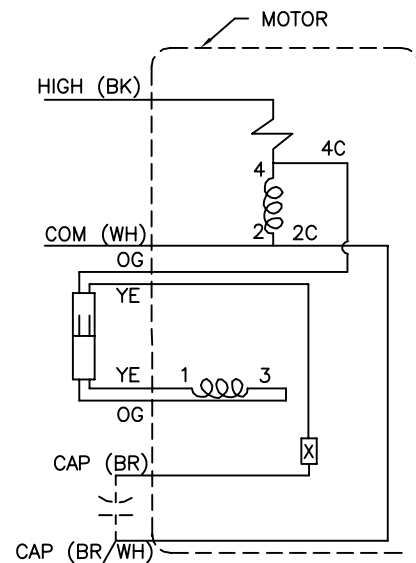


ELECTRICALLY PER SAMPLE S-578E

CWLE	PLUG IN ORANGE LEAD TO ORANGE LEAD
CCWLE	PLUG IN YELLOW LEAD TO ORANGE LEAD

MOTOR CONNECTED FOR CWLE ROTATION

SCHMATIC-48 ROT.:— REVERSIBLE



NAMEPLATE DATA:



TIPP CITY, OHIO



THERMALLY PROTECTED

SER. DATE & P0# PLT LTR MOD DE3P7002N' STK. NO. 667
 VOLTS 208-230 HZ 60 AMPS 1.5
 RPM 1075 SP PH1 CAP 7.5MFD 370VAC
 INS CLB AMB 60C HP 1/5 CONT AO ← REV →
 BRG SLV ASSEMBLED IN MEXICO

CONN. LABEL
 63T7433-17

形位公差

- 平面度
- 直线度
- ∠ 倾斜度
- ⊥ 垂直度
- // 平行度
- 圆度
- ⊘ 圆柱度
- ⌒ 面轮廓度
- ⌓ 线轮廓度
- ↻ 圆跳动
- ⊕ 位置度
- ⊙ 同轴度
- ≡ 对称度

除另有注明尺寸公差如下:

	X	XX	XXX	XXXX
英寸	±.1	±.02	±.005	±.0005
毫米	±0.5	±0.13	±0.013	
角度	±.50			
清理毛刺和尖棱				
英寸	.003-.015			
毫米	0.1-0.4			
内圆角				
英寸	.020			
毫米	0.5			
表面粗糙度				
英制	125			
米制	3.2			

米制尺寸显示在L

绘图:	TLB	02-12-2001
批准:	DRB	
第三角投影		图纸格式发布日期 11-11-2011 图纸格式版本 H
机密: 本图纸及相关信息所有权归REGAL-BELOIT CORPORATION. 未经REGAL-BELOIT CORPORATION书面授权, 不得泄露、复制、传播或作其他用途。—版权所有		

REGAL REGAL-BELOIT CORPORATION	
名称	MODEL-RFHP-42FR OUTLINE
图幅	C
图号	DE3P7002
比例	NONE
页号	1

4

3

2

1