

GENERAL INFORMATION:

SHAFT RUNOUT: .001 [.03] T.I.R. PER INCH LENGTH OF EXTENSION

BEARINGS: BALL

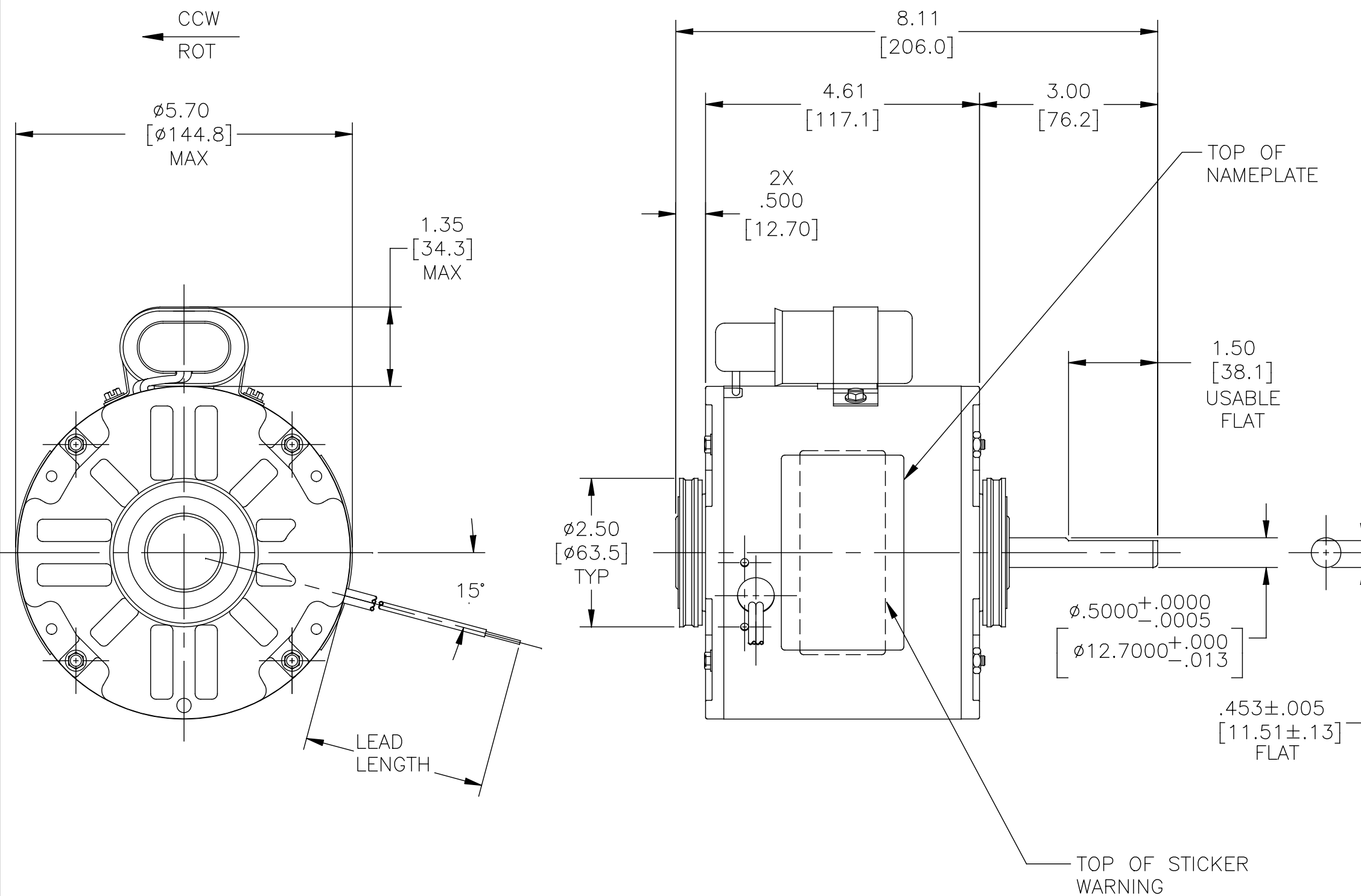
MOUNTING POSITION: HORIZONTAL

ELECTRICAL DATA:

OVERLOAD PROTECTOR: AUTOMATIC RESET (T.I. 7AM 036)

LINE LEAD: NO. 18 GA., .06 [.15] THK. EPDM 125°C INSUL.

CAPACITOR LEADS: NO. 18 GA., .03 [.8] THK. CROSS-LINKED POLYETHELENE, 125°C INSUL.



- NOTE:
 (1) CONDUIT CONNECTOR 614715
 (2) SCREWS 21P91-37
 (1) STOP PLATE 46P111-1
 PUT IN A POLYBAG & BE PACKED WITH EACH MOTOR.

COLOR	LENGTH	TERMINAL OR STRIP LENGTH
BROWN	CONNECTED TO CAPACITOR	.25 [6.4] FLAG
BROWN	CONNECTED TO CAPACITOR	.25 [6.4] FLAG
WHITE	39/42 [991/1067]	.60 [15.2] STRIP
BLACK	39/42 [991/1067]	.60 [15.2] STRIP

REGAL-BELOIT CORPORATION (RBC) PROVIDES TECHNICAL ASSISTANCE TO OUR CUSTOMERS IN SEVERAL AREAS. SINCE RBC DOES NOT RECEIVE ALL DATA CONCERNING THE USE AND APPLICATION OF THE MOTOR, THE SUITABILITY OF THE MOTOR FOR THE APPLICATION MUST BE DETERMINED BY THE CUSTOMER.

DIMENSIONS WITHOUT TOLERANCES ARE FOR REFERENCE ONLY.

MAIN FRAME - OLE	ENCLOSED
END FRAME - OLE	OPEN
MAIN FRAME - LE	ENCLOSED
END FRAME - LE	OPEN

CUSTOMER AMMO

NAMEPLATE DATA:	EXTERNAL CONNECTION DIAGRAM
MODEL NO.: F48E85A01 CUST. P/N: OTY1024 HP: 1/4 ROT.: CCWLE RPM: 1625 TYPE: UF FRAME: 48Y VOLTS: 230 PH: 1 AMPS: 1.9 HZ: 60 INS.: B AMB.: 40°C DUTY: AIR OVER CAP.: 5 MFD/370V ENCL: SEMI-ENCL. UL LOGO CSA LOGO THERMALLY PROTECTED	CONNECTION DIAGRAM <p>SEP. CAP.</p> <p>BROWN</p> <p>BROWN</p> <p>WHITE</p> <p>LINE</p> <p>BLACK</p> <p>614131-020</p>

PREFORMANCE CURVE NO.	TORQUE @ 1625 RPM (25°C)	APPROVED SAMPLE	UL COMPONENT FILE #	CCN #	CSA FILE #	CLASS #
C31083	18.9 OZ. FT.	94AC048A	E46412	PRGY2	LR43341	4211-01

DRAWING REVISION	REVISION BY	DATE
F	A.SUN	11-29-2016
ECO	APPROVED BY C.ZHOU	DATE 11-29-2016
ECO-0113729		
ECO DESCRIPTION		
SEE ECO		

COPYRIGHT REGAL-BELOIT AMERICA, INC. ALL RIGHTS RESERVED. PROPRIETARY AND CONFIDENTIAL INFORMATION - THIS DOCUMENT IS THE PROPERTY OF REGAL-BELOIT AMERICA, INC. (OWNER) AND CONTAINS OWNER'S PROPRIETARY INFORMATION. ANY PERSON, CORPORATION OR OTHER FIRM RECEIVING IT IS DEEMED, BY RECEIVING IT, TO AGREE THAT IT, AND/OR ANY PART OF IT, SHALL NOT BE DISCLOSED TO ANY PERSON, CORPORATION OR OTHER ENTITY, DUPLICATED, AND/OR USED, EXCEPT AS EXPRESSLY APPROVED IN WRITING IN ADVANCE BY OWNER. THIS DOCUMENT SHALL BE RETURNED TO OWNER UPON REQUEST. IT MAY BE SUBJECT TO CERTAIN RESTRICTIONS UNDER APPLICABLE EXPORT CONTROL LAWS AND REGULATIONS.

DRAWN BY:	DESCRIPTION
DATE:	MODEL-RFHP-48FR OUTLINE
APPROVED BY:	MATERIAL
DATE:	PROCESS/FINISH
REFERENCE	SIZE DWG NO
THIRD ANGLE PROJECTION	C

REGAL Regal Beloit America, Inc.

MODEL-RFHP-48FR OUTLINE

OTY1024 SHEET 1