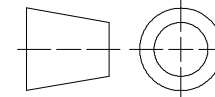




PROPRIETARY INFORMATION NOTICE:  
 THIS DOCUMENT IS AND CONTAINS CONFIDENTIAL TRADE SECRET INFORMATION OF THE COMPANY AND  
 REMAINS THE PROPERTY OF THE COMPANY AND IS TO BE RETURNED UPON REQUEST. NEITHER IT NOR  
 THE INFORMATION IT CONTAINS MAY BE REPRODUCED OR DISCLOSED TO PERSONS NOT HAVING A  
 NEED-TO-KNOW CONSISTENT WITH THE PURPOSE OF THE LOAN OF THE DOCUMENT.

THIRD ANGLE PROJECTION



## CA3J104N#

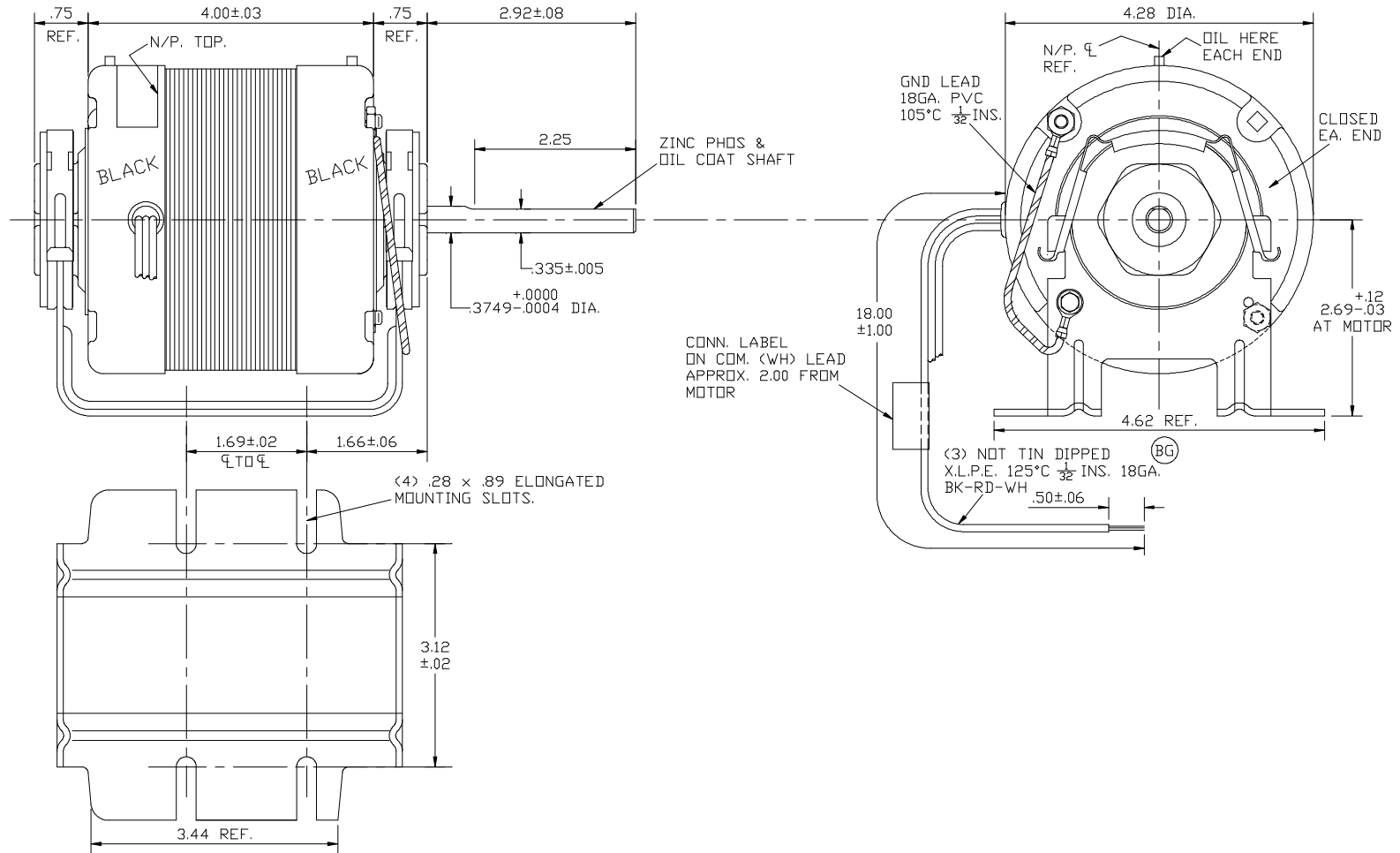
STOCK NO.: 332

Gainsborough, Lincs DN21 1XU. UK  
 Tel.: +44(0)1427 614141 Fax.: +44(0)1427 617513

CUSTOMER IS SOLELY RESPONSIBLE FOR MOTOR PERFORMANCE AND SUITABILITY IN APPLICATIONS FOR CUSTOMER'S USES.

ENDPLAY .005-.040

TOL. ±.015



ALL DIMENSIONS IN INCHES UNLESS STATED.

ELEC. AS SAMPLE P03175

**ROTATION CCWLE-CWSE**

**ISSUE 'BL' 16 JUL 12**

**REGAL - LAVERGNE**

NAMEPLATE DATA:

SER DDDYYGB-sonum-J104 MOD CA3J104N# STOCK No 332  
 115V 60HZ 2.2A 1000RPM 1PH CONT A.O.  
 WH.COM. BK-HIGH 2.2A 1/20HP. RD-LOW 1.1A 1/30HP.  
 THERMALLY PROTECTED. MADE IN UK. WARRANTY VOID IF REMOVED

(BL)