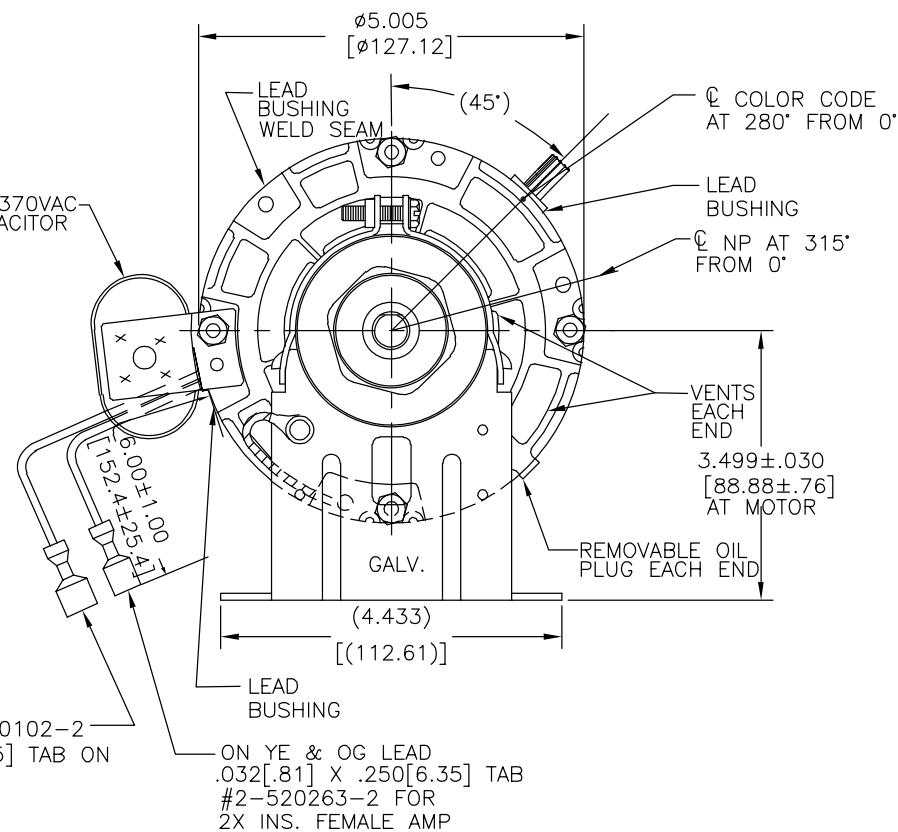
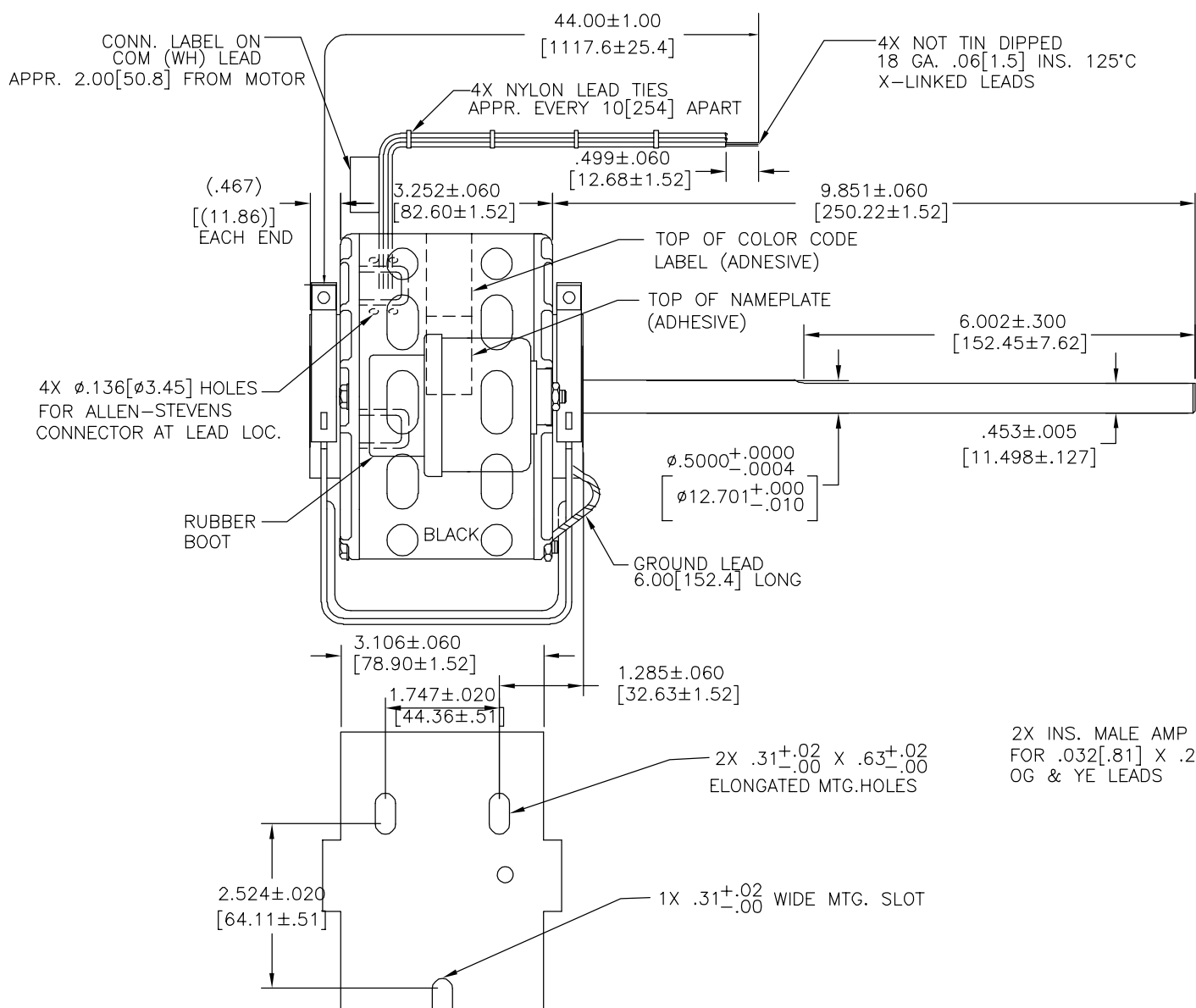


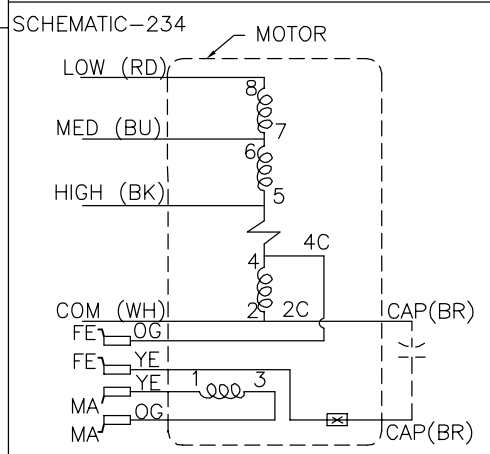
CUSTOMER IS SOLELY RESPONSIBLE FOR MOTOR PERFORMANCE AND SUITABILITY IN APPLICATIONS FOR CUSTOMER'S USES.

ENDPLAY .005[.13] MIN - .040[1.02] MAX
 MAXIMUM SHAFT RUNOUT .001[.03] PER INCH
 MAXIMUM RUN OUT NOT TO EXCEED .010[2.54]



CCWLE	PLUG IN YELLOW LEAD TO ORANGE LEAD
CWLE	PLUG IN ORANGE LEAD TO ORANGE LEAD

ELECTRICALLY PER SAMPLE S-2869F



ROT.:--REVERSIBLE

Century Tipp City, OH
 THERMALLY PROTECTED
 SER. DATE & PO# PLT LTR MOD DE3D462N' STK NO. 9608
 VOLTS 115 HZ 60 AMPS
 RPM 1100 SP 3 PH 1 CAP 5MFD 370VAC
 INS CLB AMB 40°C HP CONT AO ← REV →
 BRG SLV ASSEMBLED IN MEXICO

63T7452-18
 COLOR CODE LABEL
 BK-HI .60A 1/20HP
 BU-MED .30A 1/75HP
 RD-LO .23A 1/120HP
 WH-COM BR & BR CAP

CONN LABEL
 63T7433-206

REGAL-BELOIT CORPORATION (RBC) PROVIDES TECHNICAL ASSISTANCE TO OUR CUSTOMERS IN SEVERAL AREAS. SINCE RBC DOES NOT RECEIVE ALL DATA CONCERNING THE USE AND APPLICATION OF THE MOTOR, THE SUITABILITY OF THE MOTOR FOR THE APPLICATION MUST BE DETERMINED BY THE CUSTOMER.
 DIMENSIONS WITHOUT TOLERANCES ARE FOR REFERENCE ONLY.

DRAWING REVISION	REVISION BY	DATE
C	G.ZHAO	12-16-2014
ECD	APPROVED BY	DATE
0067414	C.ZHANG	12-16-2014

ECD DESCRIPTION
 CORRECTED FROM 48 FRAME TO 42 FRAME
COPYRIGHT REGAL-BELOIT AMERICA, INC. ALL RIGHTS RESERVED. PROPRIETARY AND CONFIDENTIAL INFORMATION - THIS DOCUMENT IS THE PROPERTY OF REGAL-BELOIT AMERICA, INC. (OWNER) AND CONTAINS OWNER'S PROPRIETARY INFORMATION. ANY PERSON, CORPORATION OR OTHER FIRM RECEIVING IT IS DEEMED TO HAVE AGREED THAT IT, AND/OR ANY PART OF IT, SHALL NOT BE DISCLOSED TO ANY PERSON, CORPORATION OR OTHER ENTITY, DUPLICATED, AND/OR USED, EXCEPT AS EXPRESSLY APPROVED IN WRITING IN ADVANCE BY OWNER. THIS DOCUMENT SHALL BE RETURNED TO OWNER UPON REQUEST. IT MAY BE SUBJECT TO CERTAIN RESTRICTIONS UNDER APPLICABLE EXPORT CONTROL LAWS AND REGULATIONS.

DRAWN BY:
 AS
 DATE:
 06-22-2011
 APPROVED BY:
 BS
 DATE:
 06-22-2011
 REFERENCE

REGAL Regal Beloit America, Inc.	
DESCRIPTION	MODEL-RFHP-42FR OUTLINE
MATERIAL	PROCESS/FINISH
SIZE DWG NO	9608
SHEET	1