

GENERAL INFORMATION:

SHAFT RUNOUT: .001[.03] T.I.R. PER INCH LENGTH OF EXTENSION

BEARINGS: BALL

MOUNTING POSITION: HORIZONTAL

ELECTRICAL DATA:

OVERLOAD PROTECTOR: AUTOMATIC RESET (SENSATA 7AM 036)

LEADS: NO. 18 GA., .06 [1.5] EPDM. 125°C INSUL.

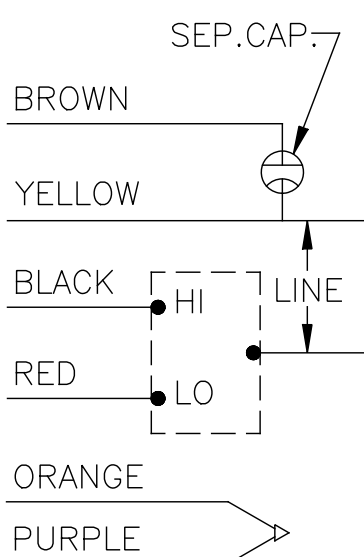
GROUND LEAD: NO. 18 GA., .03 [.8] THK. (GREEN) INSUL.

NAMEPLATE DATA:

MODEL NO.: F48SJ6V12  
 CUST. P/N: [ ]  
 HP: 1/3  
 ROT: REVERSIBLE  
 RPM: 1075/2 SPD  
 TYPE: UF  
 FRAME: 48Y  
 VOLTS: 208-230  
 PH: 1  
 AMPS: 2.5  
 HZ: 60  
 INS: B  
 AMB: 60°C  
 DUTY: AIR OVER  
 CODE: A  
 CAP.: 5 MFD/370 V  
 ENCL: SEMI-ENCL.  
 UL LOGO  
 CSA LOGO  
 THERMALLY PROTECTED

SEE NOTE 1

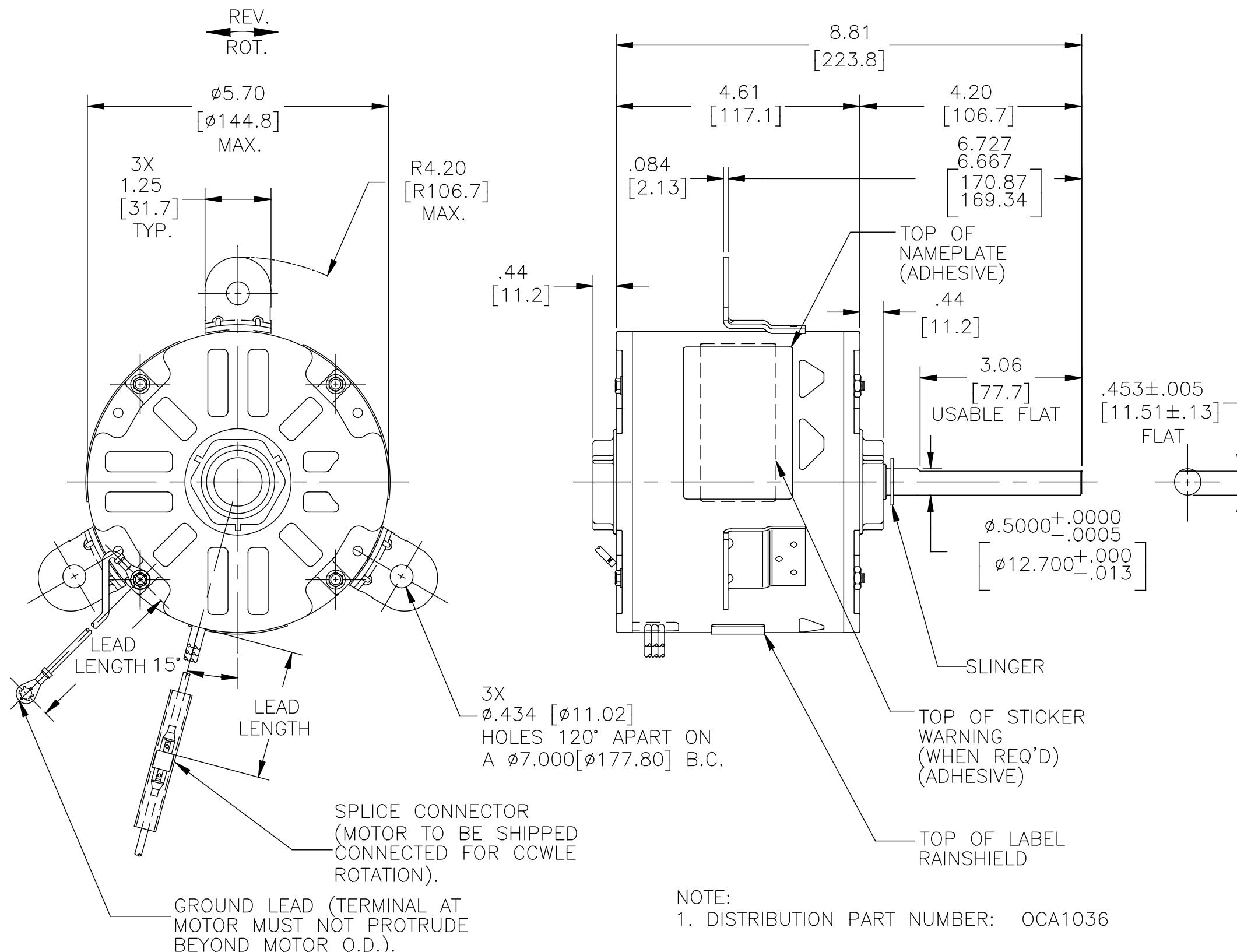
EXTERNAL CONNECTION DIAGRAM



SHOWN FOR CCWLE ROT. FOR CWLE ROT. INTERCHANGE ORANGE AND BROWN LEADS

614131-052

PERFORMANCE CURVE NO.	TORQUE @1075 RPM (25°C)	APPROVED SAMPLE	UL COMPONENT		CSA	
			FILE #	GUIDE #	FILE #	GUIDE #
C21511	32.5 OZ. FT.	EX10604	E46412	PRGY2	LR43341	260-0-0



NOTE:  
1. DISTRIBUTION PART NUMBER: OCA1036

COLOR	LENGTH	TERMINAL OR STRIP LENGTH
GREEN (GND)	55/56 [1397/1422]	#10 EYELET
BROWN	54/56 [1372/1422]	.25[6.4] FEMALE SPADE
YELLOW	54/56 [1372/1422]	.25[6.4] FEMALE SPADE
BLACK	54/56 [1372/1422]	.25[6.4] FEMALE SPADE
RED	54/56 [1372/1422]	.25[6.4] FEMALE SPADE
ORANGE	54/56 [1372/1422]	.25[6.4] FEMALE SPADE
PURPLE	54/56 [1372/1422]	.25[6.4] FEMALE SPADE

REGAL-BELOIT CORPORATION (RBC) PROVIDES TECHNICAL ASSISTANCE TO OUR CUSTOMERS IN SEVERAL AREAS. SINCE RBC DOES NOT RECEIVE ALL DATA CONCERNING THE USE AND APPLICATION OF THE MOTOR, THE SUITABILITY OF THE MOTOR FOR THE APPLICATION MUST BE DETERMINED BY THE CUSTOMER.

DIMENSIONS WITHOUT TOLERANCES ARE FOR REFERENCE ONLY.

ENCLOSURE	
MAIN FR. - OLE	OPEN
END FR. - OLE	OPEN
MAIN FR. - LE	ENCLOSED
END FR. - LE	OPEN

CUST.	DISTRIBUTION SERVICE

DRAWING REVISION	REVISION BY	DATE
B	J. CHAI	07-08-2016
ECO	APPROVED BY C. ZHANG	DATE 07-08-2016

ECO DESCRIPTION: SEE ECO

COPYRIGHT REGAL-BELOIT AMERICA, INC. ALL RIGHTS RESERVED. PROPRIETARY AND CONFIDENTIAL INFORMATION - THIS DOCUMENT IS THE PROPERTY OF REGAL-BELOIT AMERICA, INC. (OWNER) AND CONTAINS OWNER'S PROPRIETARY INFORMATION. ANY PERSON, CORPORATION OR OTHER FIRM RECEIVING IT IS DEEMED, BY RECEIVING IT, TO AGREE THAT IT, AND/OR ANY PART OF IT, SHALL NOT BE DISCLOSED TO ANY PERSON, CORPORATION OR OTHER ENTITY, DUPLICATED, AND/OR USED, EXCEPT AS EXPRESSLY APPROVED IN WRITING IN ADVANCE BY OWNER. THIS DOCUMENT SHALL BE RETURNED TO OWNER UPON REQUEST. IT MAY BE SUBJECT TO CERTAIN RESTRICTIONS UNDER APPLICABLE EXPORT CONTROL LAWS AND REGULATIONS.

DRAWN BY:	DATE:
A. RODRIGUEZ	07-08-2013
APPROVED BY:	DATE:
A. RODRIGUEZ	07-08-2013
PROCESS/FINISH	

REGAL™ Regal Beloit America, Inc.	
DESCRIPTION	MODEL-RFHP-48FR OUTLINE
MATERIAL	
SIZE	C
DWG NO	F48SJ6V12
SHEET	1