

4

3

2

1

REV	ECO	REV BY	DATE	APPD	DATE
C	0024331	A.CHEN	03-13-2012	B.SHEN	03-13-2012

GENERAL INFORMATION:

SHAFT RUNOUT: .001[.03] T.I.R. PER INCH LENGTH OF EXTENSION.

BEARINGS: BALL

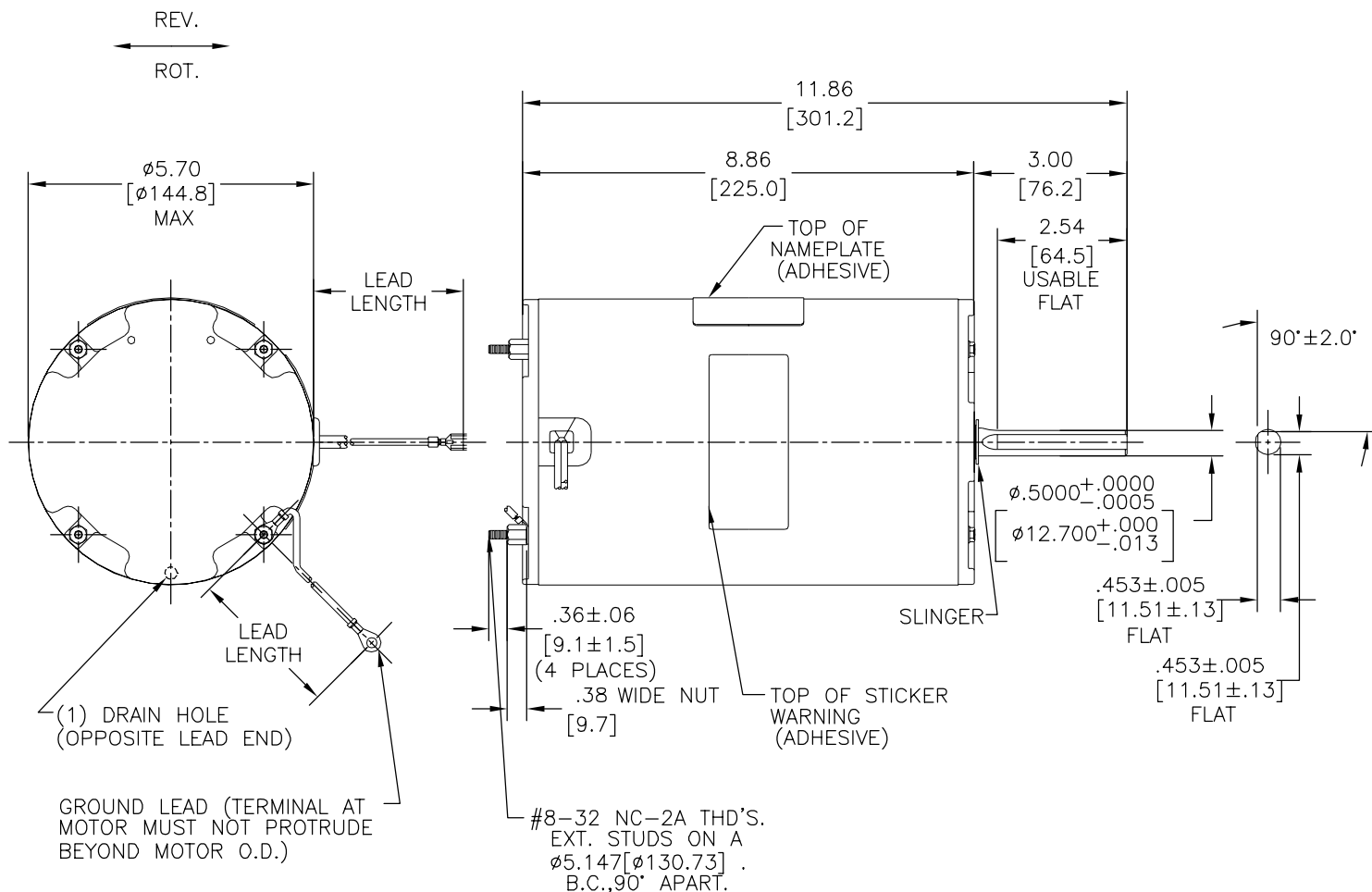
MOUNTING POSITION: VERTICAL SHAFT-DOWN

ELECTRICAL DATA:

OVERLOAD PROTECTOR: AUTOMATIC RESET (T.I. MWJ57JR)

LEADS: NO. 16 GA., .06[1.5] THK., EPDM 125°C INSUL.

GROUND LEAD: NO. 16 GA., .03[.8] THK., (GREEN) INSUL.



NAMEPLATE DATA:	EXTERNAL CONNECTION DIAGRAM
MODEL NO.: P48SW6V2 CUST. P/N: OCA3076H HP: 3/4 ROT.: REVERSIBLE RPM: 1140 TYPE: UP FRAME: 48Y VOLTS: 460 PH: 3 AMPS: 1.9 HZ: 60 INS.: B AMB.: 60° C DUTY: AIR OVER CAP.: - ENCL: ENCLOSED UL LOGO CSA LOGO THERMALLY PROTECTED	CONNECTION DIAGRAM BLACK (L1) YELLOW (L2) BLUE (L3)

GREEN(GRD)	60.0/62.0 1524/1575]	#10 EYELET
BLACK(L1)	60.0/62.0 1524/1575]	.25[6.4] FEMALE SPADE
YELLOW(L2)	60.0/62.0 1524/1575]	.25[6.4] FEMALE SPADE
BLUE(L3)	60.0/62.0 1524/1575]	.25[6.4] FEMALE SPADE
COLOR	LENGTH	TERMINAL OR STRIP LENGTH

MAIN FRAME - OLE	ENCLOSED
END FRAME - OLE	ENCLOSED
MAIN FRAME - LE	ENCLOSED
END FRAME - LE	ENCLOSED

CUSTOMER	DISTRIBUTION SERVICES
----------	-----------------------

PERFORMANCE CURVE NO.	TORQUE @ 1120 RPM (25°C)	APPROVED SAMPLE	UL COMPONENT FILE #	CCN #	CSA FILE #	CLASS #
C30273	84.0 OZ. FT.	89AC120A	E46412	PRGY2	LR43341	4211-01

GEOMETRIC CHARACTERISTICS & SYMBOLS □ FLATNESS - STRAIGHTNESS < ANGLARITY ⊥ PERPENDICULARITY (SQUARENESS) // PARALLELISM ○ ROUNDNESS (CIRCULARITY) ∅ CYLINDRICITY △ PROFILE OF ANY SURFACE ∩ PROFILE OF ANY LINE ↗ RUNOUT ⊕ TRUE POSITION ⊙ CONCENTRICITY = SYMMETRY	REGAL-BELOIT CORPORATION (RBC) PROVIDES TECHNICAL ASSISTANCE TO OUR CUSTOMERS IN SEVERAL AREAS. SINCE RBC DOES NOT RECEIVE ALL DATA CONCERNING THE USE AND APPLICATION OF THE MOTOR, THE SUITABILITY OF THE MOTOR FOR THE APPLICATION MUST BE DETERMINED BY THE CUSTOMER. DIMENSIONS WITHOUT TOLERANCES ARE FOR REFERENCE ONLY.
-------------------------------------------------------------------------------------------------------------------------------------------------------------------------------------------------------------------------------------------------------------------------------------------------------------	----------------------------------------------------------------------------------------------------------------------------------------------------------------------------------------------------------------------------------------------------------------------------------------------------------------------------------------

DR BY: A.CHEN APPD: B.SHEN EDS DATE 11-11-2011 FORMAT REV G	DESCRIPTION MODEL-RFHP-48FR OUTLINE
----------------------------------------------------------------------	-------------------------------------------

CONFIDENTIAL: THIS DRAWING AND ITS INFORMATION ARE THE EXCLUSIVE AND CONFIDENTIAL PROPERTY OF REGAL-BELOIT CORPORATION AND ARE NOT TO BE DISCLOSED, DUPLICATED, DISTRIBUTED OR OTHERWISE USED WITHOUT THE WRITTEN CONSENT OF REGAL-BELOIT CORPORATION. -ALL RIGHTS RESERVED.	SIZE C DWG NO OCA3076H SCALE NONE SHEET 1
------------------------------------------------------------------------------------------------------------------------------------------------------------------------------------------------------------------------------------------------------------------------------	----------------------------------------------------

REGAL-BELOIT CORPORATION REGAL-BELOIT CORPORATION

4

3

2

1

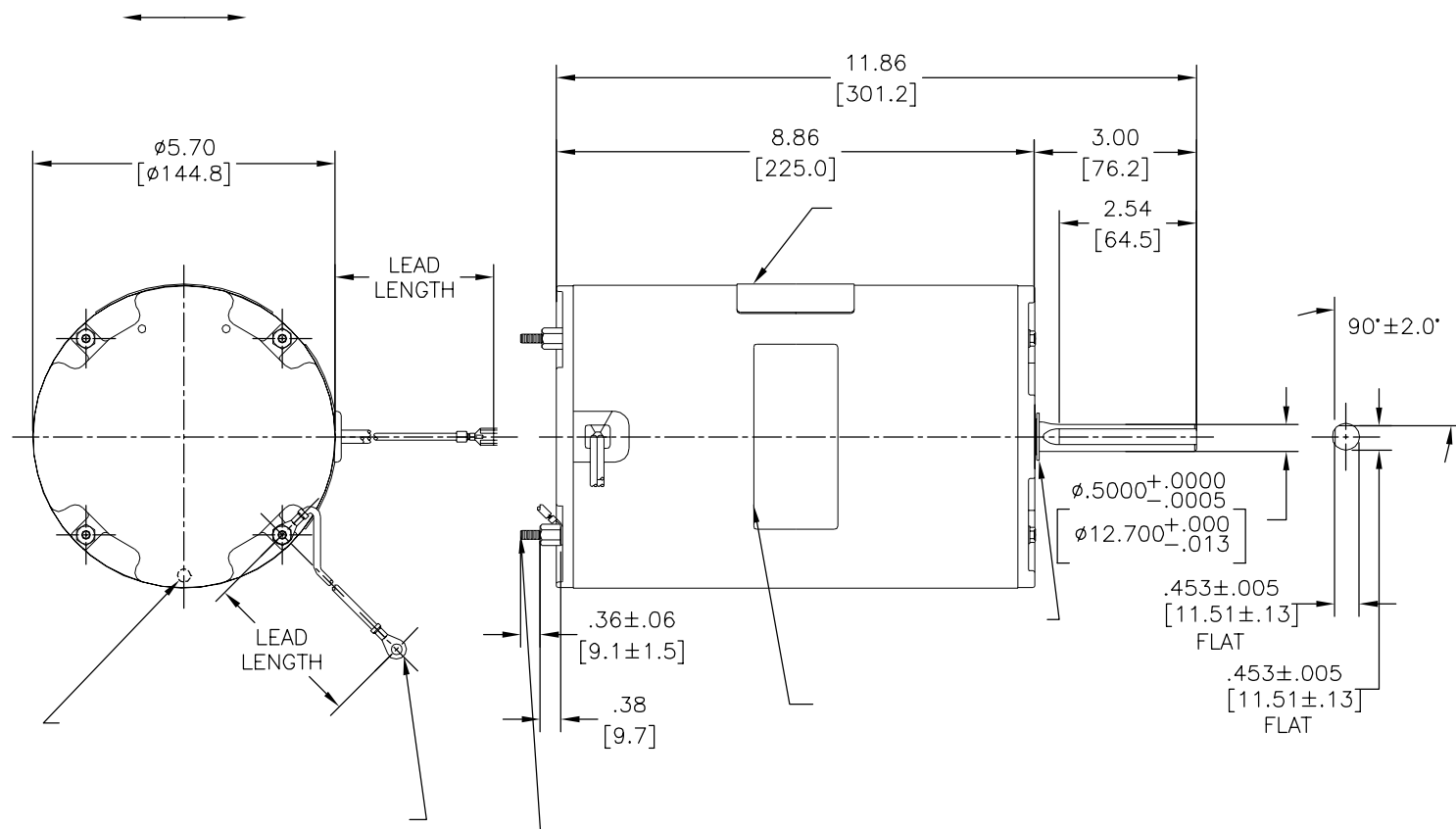
4

3

2

1

REVISION:	ECO	REVISADO POR:	FECHA:	APROBADO POR:	FECHA:
C	0024331	A.CHEN	03-13-2012	B.SHEN	03-13-2012



MODEL NO.: P48SW6V2
 CUST. P/N: OCA3076H
 HP: 3/4
 ROT.: REVERSIBLE
 RPM: 1140
 TYPE: UP
 FRAME: 48Y
 VOLTS: 460
 PH: 3
 AMPS: 1.9
 HZ: 60
 INS.: B
 AMB.: 60° C
 DUTY: AIR OVER
 CAP.: -
 ENCL: ENCLOSED
 UL LOGO
 CSA LOGO
 THERMALLY PROTECTED

614131-147

	60.0/62.0	
	1524/1575]	
	60.0/62.0	
	1524/1575]	
	60.0/62.0	
	1524/1575]	
	60.0/62.0	
	1524/1575]	

DISTRIBUTION SERVICES

CARACTERISTICAS DE GEOMETRIA Y SIMBOLOS
 □ PLANICIDAD
 - RECTITUD
 < ANGULARIDAD
 ⊥ PERPENDICULARIDAD (A ESCUADRA)
 // PARALELISMO
 ○ REDONDEZ (CIRCULARIDAD)
 ∅ CILINDRICIDAD
 △ PERFIL DE CUALQUIER SUPERFICIE
 ∩ PERFIL DE CUALQUIER LINEA
 ↑ VARIACION
 ⊕ POSICION REAL
 ⊙ CONCENTRICIDAD
 = SIMETRIA
 ASME Y14.5M 1994

REGAL-BELOIT CORPORATION (RBC)
 PROVEE ASISTENCIA TECNICA A NUESTROS CLIENTES EN VARIAS AREAS. DESDE QUE RBC NO RECIBE TODOS LOS DATOS EN RELACION AL USO Y A LA APLICACION DEL MOTOR, LA APLICACION ADECUADA DEL MOTOR DEBE SER DETERMINADA POR EL CLIENTE.

DIMENSIONES SIN TOLERANCIA SON DE REFERENCIA SOLAMENTE

DIBUJADO POR: A.CHEN

03-13-2012

APROBADO POR: B.SHEN

03-13-2012

TERCER ANGULO DE PROYECCION



FECHA EDS: 11-11-2011
 REV. FORMATO: G

CONFIDENCIAL: ESTE DIBUJO Y SU INFORMACION SON PROPIEDAD DE USO EXCLUSIVO Y CONFIDENCIAL DE REGAL-BELOIT CORPORATION. Y NO DEBERAN SER REVELADOS, DUPLICADOS, DISTRIBUIDOS O USARSE DE OTRA MANERA SIN EL CONSENTIMIENTO ESCRITO DE REGAL-BELOIT CORPORATION. -TODOS LOS DERECHOS RESERVADOS.



DESCRIPCION:

MODEL-RFHP-48FR
 OUTLINE

TAMAÑO: C

NUMERO DE DIBUJO: OCA3076H

ESCALA:NONE

HOJA: 1

4

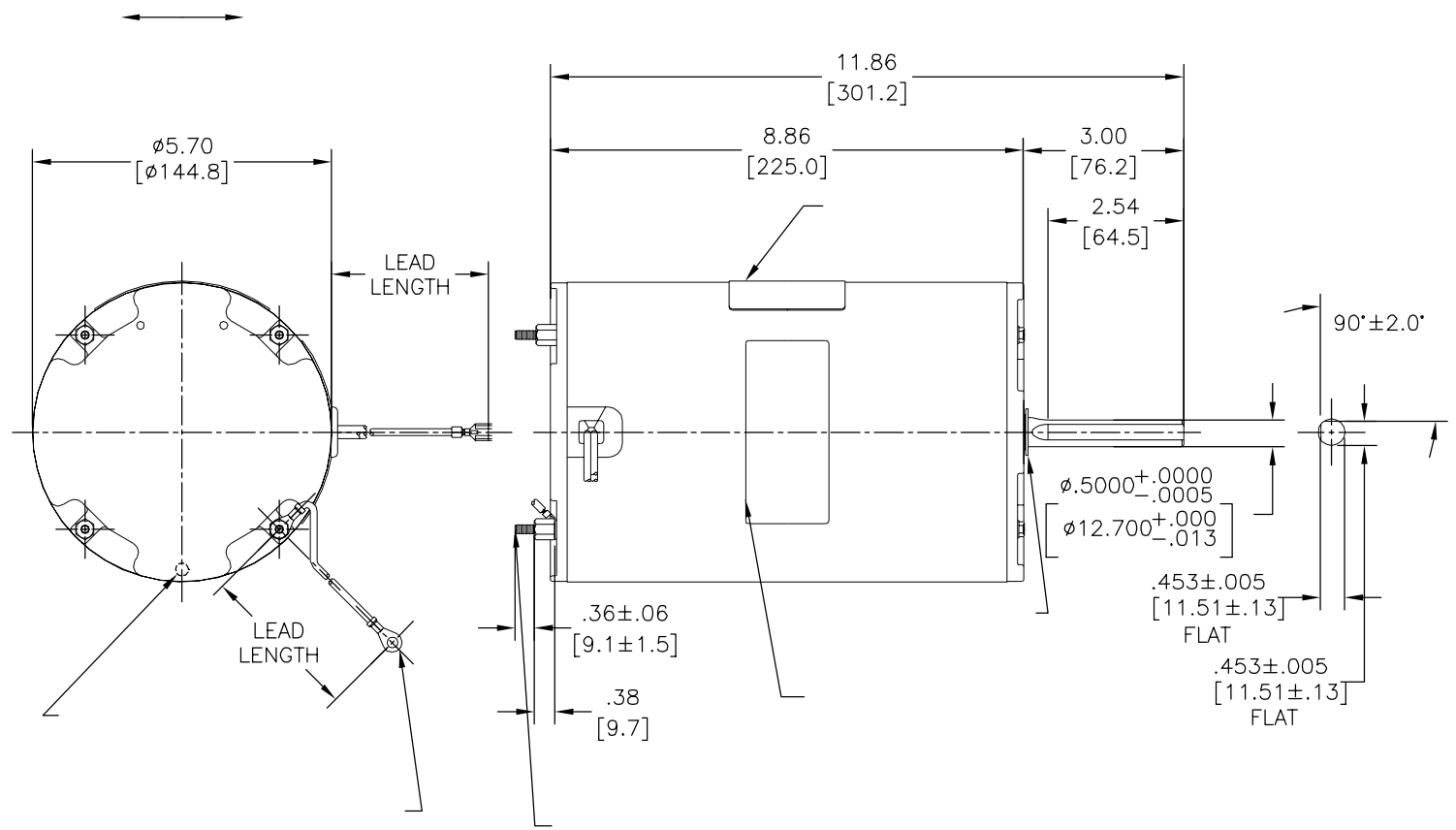
3

2

1

4 3 2 1

版本	ECO	编制	日期	批准	日期
C	0024331	A.CHEN	03-13-2012	B.SHEN	03-13-2012



MODEL NO.: P48SW6V2
 CUST. P/N: OCA3076H
 HP: 3/4
 ROT.: REVERSIBLE
 RPM: 1140
 TYPE: UP
 FRAME: 48Y
 VOLTS: 460
 PH: 3
 AMPS: 1.9
 HZ: 60
 INS.: B
 AMB.: 60° C
 DUTY: AIR OVER
 CAP.: -
 ENCL: ENCLOSED
 UL LOGO
 CSA LOGO
 THERMALLY PROTECTED

614131-147

	60.0/62.0	
	1524/1575]	
	60.0/62.0	
	1524/1575]	
	60.0/62.0	
	1524/1575]	
	60.0/62.0	
	1524/1575]	

C30273	84.0 OZ. FT.	89AC120A	E46412	PRGY2	LR43341	4211-01
--------	--------------	----------	--------	-------	---------	---------

DISTRIBUTION SERVICES

- 形位公差
- 平面度
- 直线度
- ∠ 倾斜度
- ⊥ 垂直度
- // 平行度
- 圆度
- ⊘ 圆柱度
- ⊖ 面轮廓度
- ⊖ 线轮廓度
- ↗ 圆跳动
- ⊕ 位置度
- ⊙ 同轴度
- ≡ 对称度

ASME Y14.5M 1994

REGAL-BELOIT CORPORATION (RBC) 在个别领域为客户提供技术支持。鉴于RBC未收到任何涉及电机使用和应用环境的数据，电机的适用性由客户自己决定。

未注公差尺寸仅供参考。

绘图: A.CHEN 03-13-2012
 批准: B.SHEN 03-13-2012
 第三角投影
 图纸格式发布日期 11-11-2011
 图纸格式版本 G
 机密: 本图纸及相关信息所有权归REGAL-BELOIT CORPORATION。未经REGAL-BELOIT CORPORATION书面授权, 不得泄露、复制或传播或作其他用途。—版权所有



名称: MODEL-RFHP-48FR OUTLINE

图幅: C 图号: OCA3076H

比例: NONE 页号: 1

4 3 2 1