

4

3

2

1

GENERAL INFORMATION:

SHAFT RUNOUT: .001[.03] T.I.R. PER INCH LENGTH OF EXTENSION.

BEARINGS: BALL

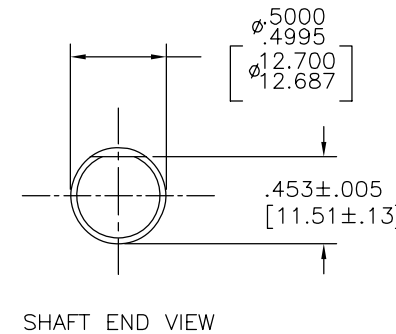
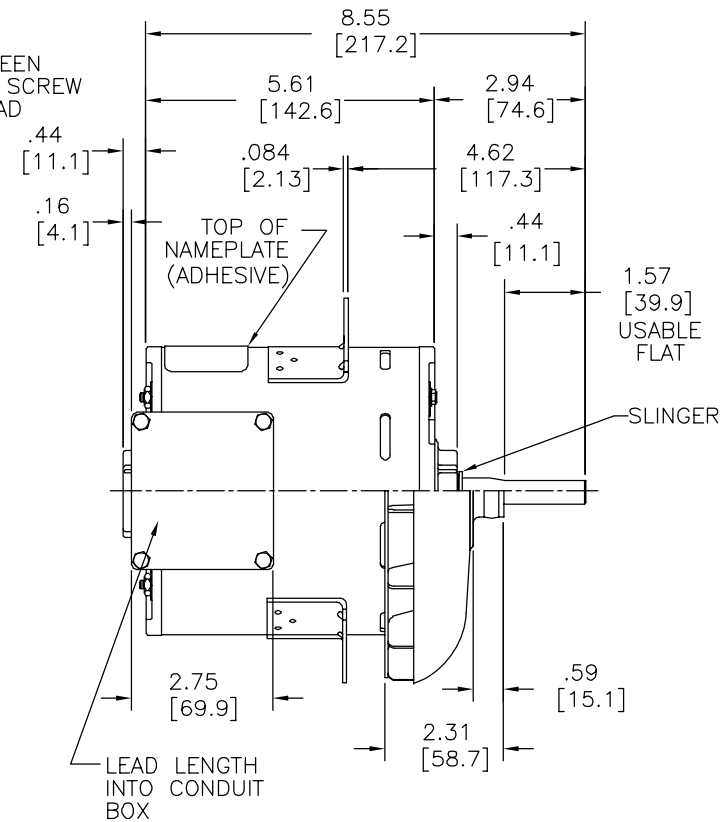
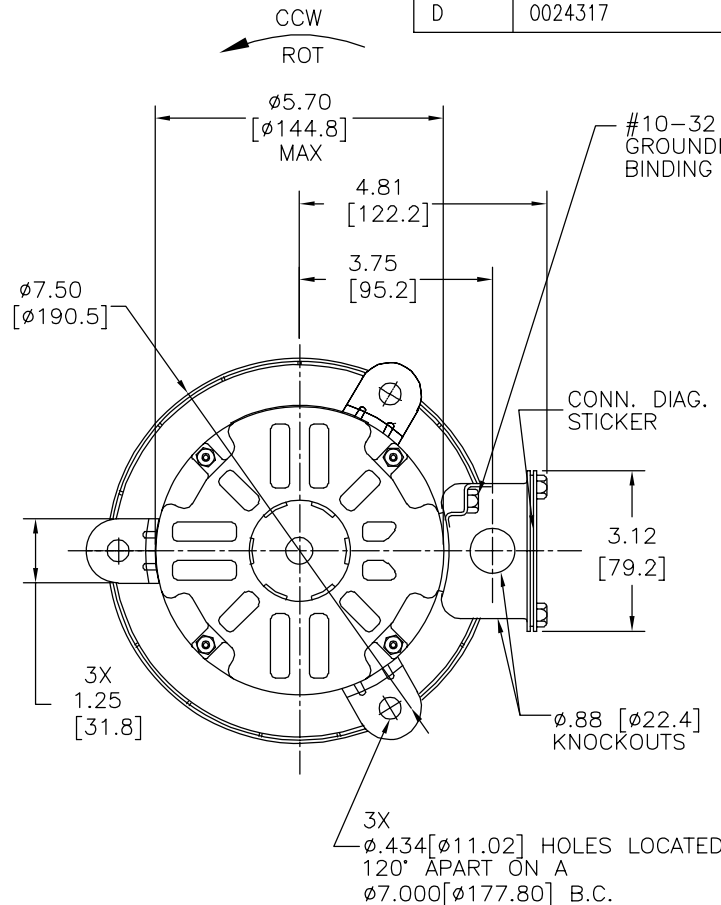
MOUNTING POSITION: VERTICAL SHAFT-UP

ELECTRICAL DATA:

OVERLOAD PROTECTOR: AUTOMATIC RESET (SENSATA 7AM 036)

LEADS: NO. 18 GA., .03[.8] THK.
125°C INSUL.

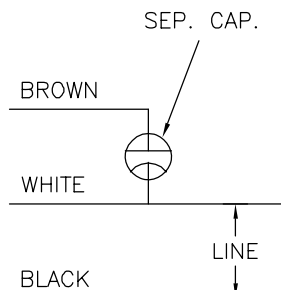
REV	ECO	REV BY	DATE	APPD	DATE
D	0024317	J.ZHU	04-09-2012	B.SHEN	04-09-2012



NAMEPLATE DATA:

EXTERNAL CONNECTION DIAGRAM

MODEL NO.: F48D52A01
CUST. P/N: 50CA1056
HP: 1/2
ROT.: CCWLE
RPM: 1075
TYPE: UF
FRAME: 48Y
VOLTS: 575
PH: 1
AMPS: 1.8
HZ: 60
INS.: B
AMB.: 60° C
DUTY: AIR OVER
CAP.: 7.5 MFD/440V
ENCL: SEMI-ENCLOSED
UL LOGO
CSA LOGO
THERMALLY PROTECTED



614131-004

BROWN	5.0/6.0 [127/152]	.62[15.7] SKIN
WHITE	5.0/6.0 [127/152]	.62[15.7] SKIN
BLACK	5.0/6.0 [127/152]	.62[15.7] SKIN
COLOR	LENGTH	TERMINAL OR STRIP LENGTH

MAIN FRAME - OLE	OPEN
END FRAME - OLE	OPEN
MAIN FRAME - LE	ENCLOSED
END FRAME - LE	OPEN
ENCLOSURE	

CUSTOMER	DISTRIBUTION SERVICE
----------	----------------------

PERFORMANCE CURVE NO.	TORQUE @ 1075 RPM (25°C)	APPROVED SAMPLE	UL COMPONENT FILE #	CCN #	CSA FILE #	CLASS #
-	-	-	E46412	PRGY2	LR43341	4211-01

GEOMETRIC CHARACTERISTICS & SYMBOLS
 ▭ FLATNESS
 - STRAIGHTNESS
 < ANGLARITY
 ⊥ PERPENDICULARITY (SQUARENESS)
 // PARALLELISM
 ○ ROUNDNESS (CIRCULARITY)
 ⌀ CYLINDRICITY
 △ PROFILE OF ANY SURFACE
 ▽ PROFILE OF ANY LINE
 ↗ RUNOUT
 ⊕ TRUE POSITION
 ⊙ CONCENTRICITY
 = SYMMETRY
 ASME Y14.5M 1994

REGAL-BELOIT CORPORATION (RBC) PROVIDES TECHNICAL ASSISTANCE TO OUR CUSTOMERS IN SEVERAL AREAS. SINCE RBC DOES NOT RECEIVE ALL DATA CONCERNING THE USE AND APPLICATION OF THE MOTOR, THE SUITABILITY OF THE MOTOR FOR THE APPLICATION MUST BE DETERMINED BY THE CUSTOMER.

DIMENSIONS WITHOUT TOLERANCES ARE FOR REFERENCE ONLY.

DR BY: J.ZHU 04-09-2012
 APPD: B.SHEN 04-09-2012
 THIRD ANGLE PROJECTION
 EDS DATE 11-11-2011
 FORMAT REV G
 CONFIDENTIAL: THIS DRAWING AND ITS INFORMATION ARE THE EXCLUSIVE AND CONFIDENTIAL PROPERTY OF REGAL-BELOIT CORPORATION AND ARE NOT TO BE DISCLOSED, DUPLICATED, DISTRIBUTED OR OTHERWISE USED WITHOUT THE WRITTEN CONSENT OF REGAL-BELOIT CORPORATION. -ALL RIGHTS RESERVED.



DESCRIPTION	
MODEL-RFHP-48FR OUTLINE	
SIZE C	DWG NO 50CA1056
SCALE NONE	SHEET 1

4

3

2

1

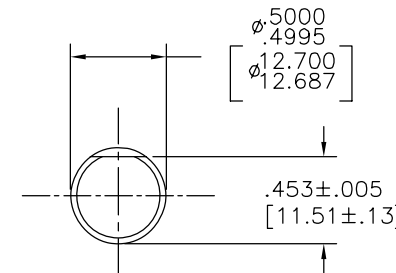
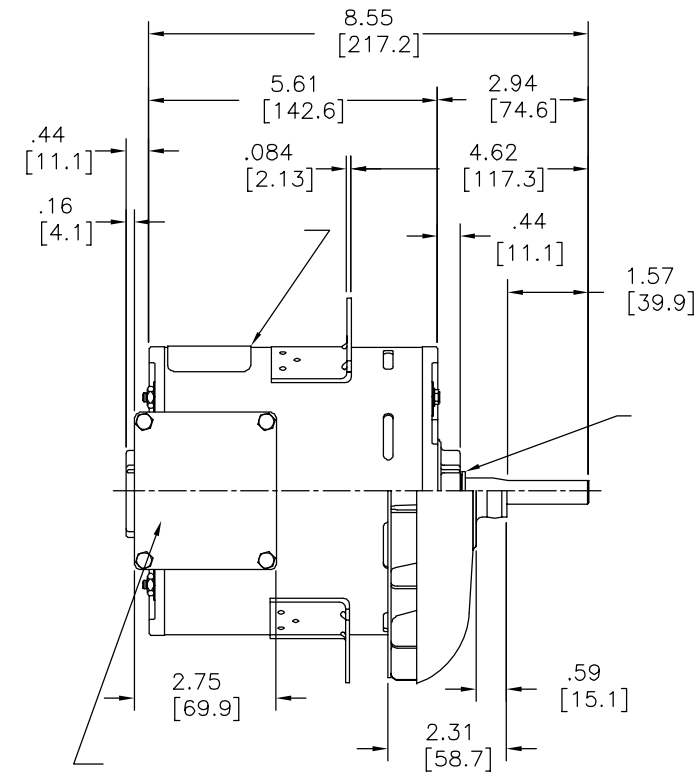
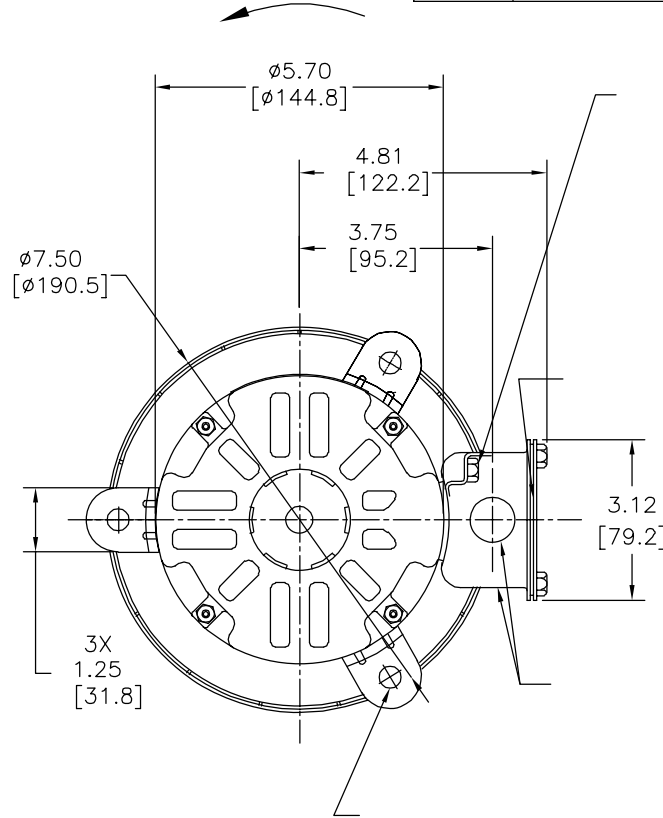
4

3

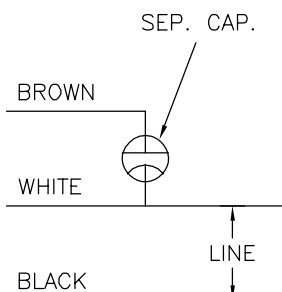
2

1

REVISION:	ECO	REVISADO POR:	FECHA:	APROBADO POR:	FECHA:
D	0024317	J.ZHU	04-09-2012	B.SHEN	04-09-2012



MODEL NO.: F48D52A01
 CUST. P/N: 50CA1056
 HP: 1/2
 ROT.: CCWLE
 RPM: 1075
 TYPE: UF
 FRAME: 48Y
 VOLTS: 575
 PH: 1
 AMPS: 1.8
 HZ: 60
 INS.: B
 AMB.: 60° C
 DUTY: AIR OVER
 CAP.: 7.5 MFD/440V
 ENCL: SEMI-ENCLOSED
 UL LOGO
 CSA LOGO
 THERMALLY PROTECTED



614131-004

5.0/6.0	[127/152]
5.0/6.0	[127/152]
5.0/6.0	[127/152]

DISTRIBUTION SERVICE

CARACTERISTICAS DE GEOMETRIA Y SIMBOLOS
 ▧ PLANICIDAD
 - RECTITUD
 < ANGULARIDAD
 ⊥ PERPENDICULARIDAD (A ESCUADRA)
 // PARALELISMO
 ○ REDONDEZ (CIRCULARIDAD)
 ∅ CILINDRICIDAD
 △ PERFIL DE CUALQUIER SUPERFICIE
 ▲ PERFIL DE CUALQUIER LINEA
 ↗ VARIACION
 ⊕ POSICION REAL
 ⊙ CONCENTRICIDAD
 = SIMETRIA
 ASME Y14.5M 1994

REGAL-BELOIT CORPORATION (RBC)
 PROVEE ASISTENCIA TECNICA A NUESTROS CLIENTES EN VARIAS AREAS. DESDE QUE RBC NO RECIBE TODOS LOS DATOS EN RELACION AL USO Y A LA APLICACION DEL MOTOR, LA APLICACION ADECUADA DEL MOTOR DEBE SER DETERMINADA POR EL CLIENTE.

DIMENSIONES SIN TOLERANCIA SON DE REFERENCIA SOLAMENTE

DIBUJADO POR: J.ZHU
 APROBADO POR: B.SHEN

04-09-2012
 04-09-2012
 TERCER ANGULO DE PROYECCION
 FECHA EDS: 11-11-2011
 REV. FORMATO: G

CONFIDENCIAL: ESTE DIBUJO Y SU INFORMACION SON PROPIEDAD DE USO EXCLUSIVO Y CONFIDENCIAL DE REGAL-BELOIT CORPORATION. Y NO DEBERAN SER REVELADOS, DUPLICADOS, DISTRIBUIDOS O USARSE DE OTRA MANERA SIN EL CONSENTIMIENTO ESCRITO DE REGAL-BELOIT CORPORATION. -TODOS LOS DERECHOS RESERVADOS.



DESCRIPCION:

MODEL-RFHP-48FR
 OUTLINE

TAMAÑO: C

NUMERO DE DIBUJO: 50CA1056

ESCALA: NONE

HOJA: 1

4

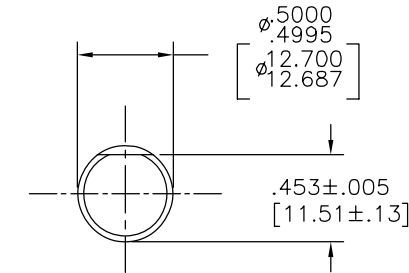
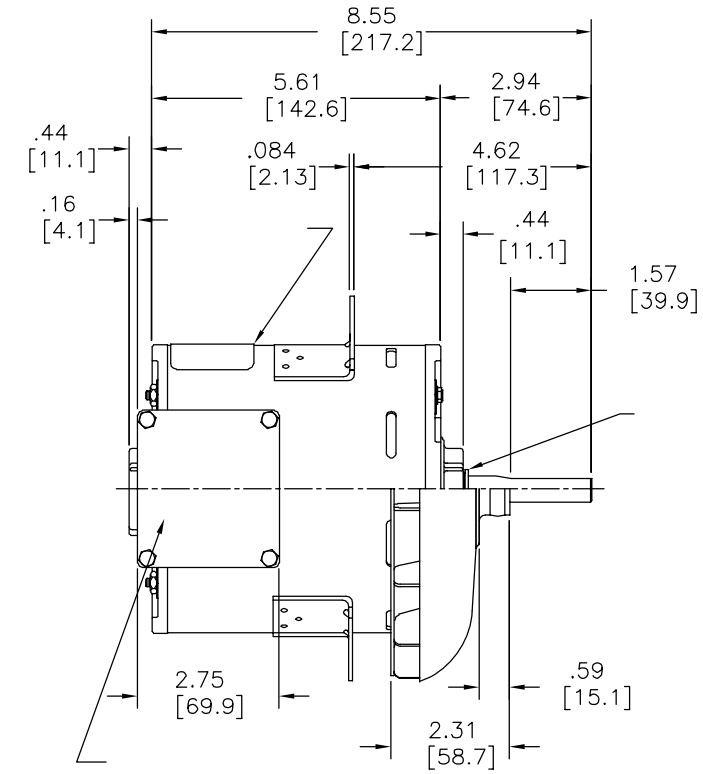
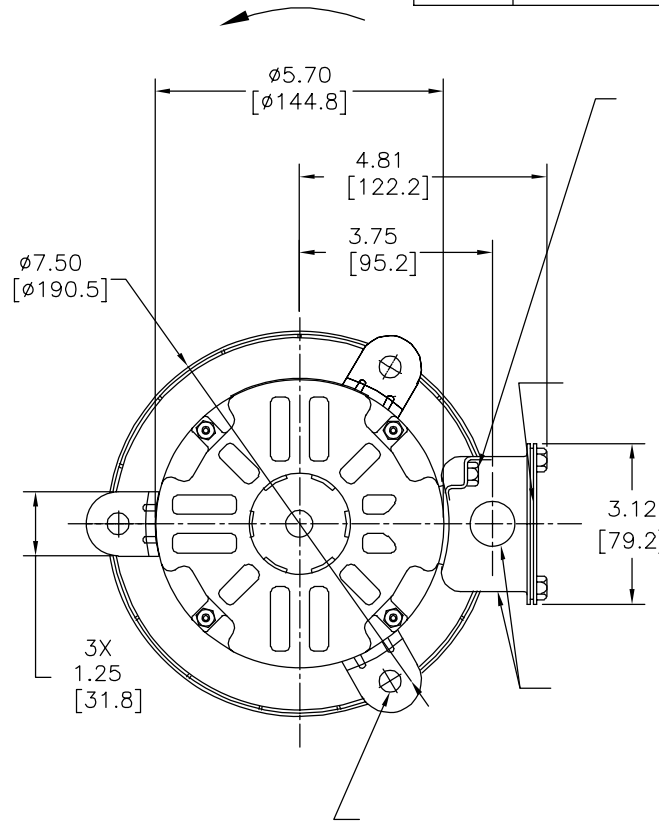
3

2

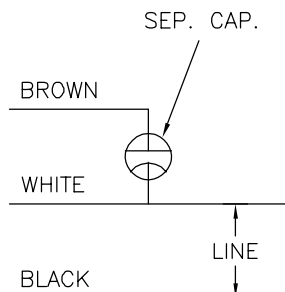
1

4 3 2 1

版本	ECO	编制	日期	批准	日期
D	0024317	J.ZHU	04-09-2012	B.SHEN	04-09-2012



MODEL NO.: F48D52A01
 CUST. P/N: 50CA1056
 HP: 1/2
 ROT.: CCWLE
 RPM: 1075
 TYPE: UF
 FRAME: 48Y
 VOLTS: 575
 PH: 1
 AMPS: 1.8
 HZ: 60
 INS.: B
 AMB.: 60° C
 DUTY: AIR OVER
 CAP.: 7.5 MFD/440V
 ENCL: SEMI-ENCLOSED
 UL LOGO
 CSA LOGO
 THERMALLY PROTECTED



614131-004

	5.0/6.0	
	[127/152]	
	5.0/6.0	
	[127/152]	
	5.0/6.0	
	[127/152]	

DISTRIBUTION SERVICE

- 形位公差
- 平面度
- 直线度
- ∠ 倾斜度
- ⊥ 垂直度
- // 平行度
- 圆度
- ⊘ 圆柱度
- ⊙ 圆轮廓度
- △ 面轮廓度
- ⌒ 线轮廓度
- ↗ 圆跳动
- ⊕ 位置度
- ⊙ 同轴度
- ≡ 对称度

ASME Y14.5M 1994

REGAL-BELOIT CORPORATION
 (RBC) 在个别领域为客户
 提供技术支持。鉴于RBC
 未收到任何涉及电机使用和
 应用环境的数据，电机的适用性
 由客户自己决定。

未注公差尺寸仅供参考。

绘图:	J.ZHU	04-09-2012
批准:	B.SHEN	04-09-2012
第三角投影		图纸格式发布日期 11-11-2011 图纸格式版本 G
机密: 本图纸及相关信息所有权归REGAL-BELOIT CORPORATION 未经REGAL-BELOIT CORPORATION书面授权, 不得泄露、 复制、传播或作其他用途。一版权所有		



名称
**MODEL-RFHP-48FR
 OUTLINE**

图幅 C 图号
50CA1056

比例 NONE 页号 1

4 3 2 1