

GENERAL INFORMATION:

SHAFT RUNOUT: .001[.03] T.I.R. PER INCH LENGTH OF EXTENSION

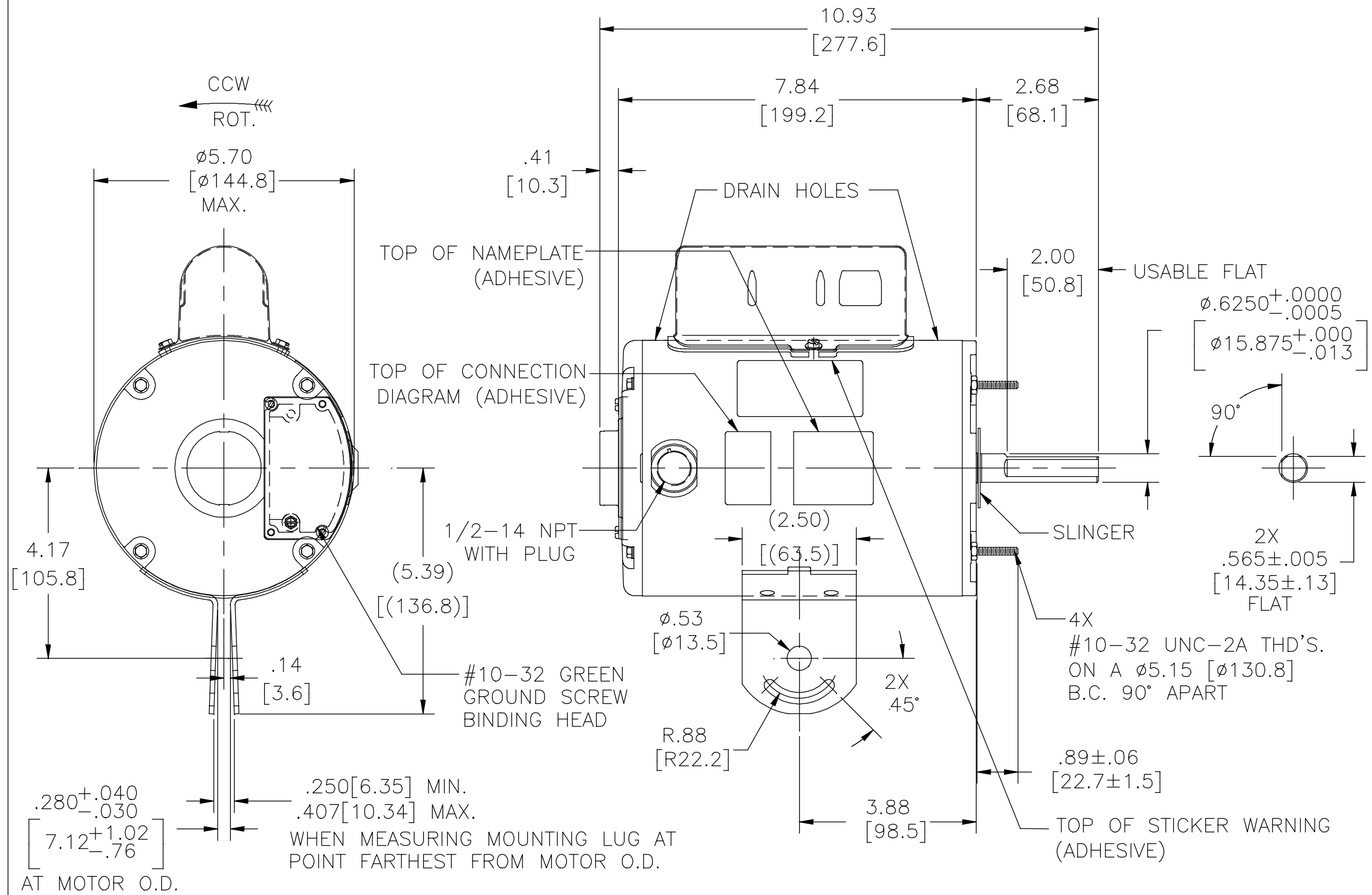
BEARINGS: BALL

MOUNTING POSITION: HORIZONTAL

ELECTRICAL DATA:

OVERLOAD PROTECTOR: AUTOMATIC RESET (T.I. 7AM 036)

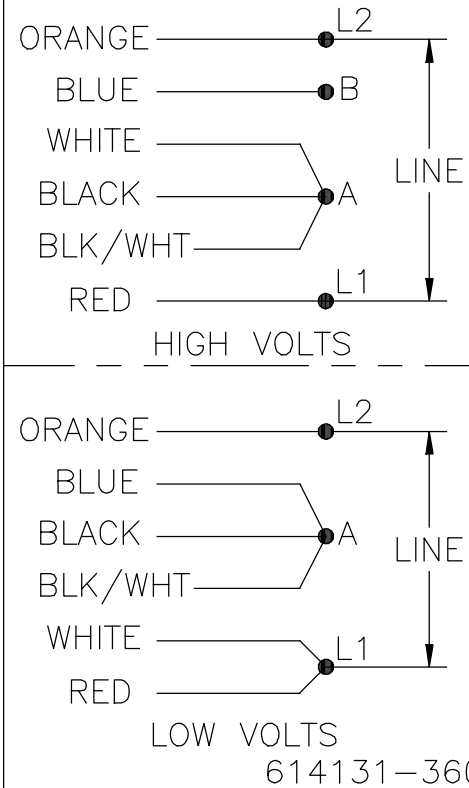
LEADS: NO. 18 GA., .03[.8] THK. XLP 125°C INSUL.



NAMEPLATE DATA:

EXTERNAL CONNECTION DIAGRAM

MODEL NO.: F48Z38A01
 CUST. P/N: 969A
 HP: 1/2
 ROT.: CCWLE
 RPM: 840
 TYPE: UF
 FRAME: 48Y
 VOLTS: 115/230
 PH: 1
 AMPS: 6.1/3.1
 HZ: 60
 INS.: B
 AMB.: 40° C
 DUTY: AIR OVER
 CAP.: 30 MFD/370 V
 ENCL: ENCLOSED
 UL LOGO
 CSA LOGO
 THERMALLY PROTECTED



COLOR	LENGTH	TERMINAL OR STRIP LENGTH
BROWN	CONNECTED TO CAPACITOR	.25 [6.4] FLAG
BLACK	CONNECTED TO CAPACITOR	.25 [6.4] FLAG
ORANGE	5.0/7.0 [127/179]	.25 [6.4] FLAG
BLUE	5.0/7.0 [127/179]	.25 [6.4] FLAG
WHITE	5.0/7.0 [127/179]	.25 [6.4] FLAG
BLACK	5.0/7.0 [127/179]	.25 [6.4] FLAG
BLACK/WHITE	5.0/7.0 [127/179]	.25 [6.4] FLAG
RED	5.0/7.0 [127/179]	.25 [6.4] FLAG

LEAD DATA

NOTES:

- 4 LOCKWASHERS 1024H20H01
4 HEX NUTS
TO BE PUT IN POLY BAG AND SHIPPED SEPERATE WITH MOTOR.
- MOTOR TO BE SHIPPED CONNECTED FOR LOW VOLTAGE.

MAIN FRAME — OLE	ENCLOSED
END FRAME — OLE	ENCLOSED
MAIN FRAME — LE	ENCLOSED
END FRAME — LE	ENCLOSED

ENCLOSURE

CUSTOMER	DISTRIBUTION SERVICE
----------	----------------------

PERFORMANCE CURVE NO.	TORQUE @ 840 RPM (25°C)	APPROVED SAMPLE	UL COMPONENT		CSA	
			FILE #	CCN #	FILE #	CLASS #
C32705	52.8 OZ. FT.	0604309B	E46412	PRGY2	LR43341	4211-01

DRAWING REVISION	REVISION BY	DATE
H	HANNA.ZOU	10-17-2018
ECO	APPROVED BY	DATE
ECO-0154903	DEXIAN.LI	10-17-2018
ECO DESCRIPTION		
SEE ECO		

COPYRIGHT REGAL BELOIT AMERICA, INC. ALL RIGHTS RESERVED.
 PROPRIETARY AND CONFIDENTIAL INFORMATION — THIS DOCUMENT IS THE PROPERTY OF REGAL BELOIT AMERICA, INC. (OWNER) AND CONTAINS OWNER'S PROPRIETARY INFORMATION. ANY PERSON, CORPORATION OR OTHER FIRM RECEIVING IT IS DEEMED, BY RECEIVING IT, TO AGREE THAT IT, AND/OR ANY PART OF IT, SHALL NOT BE DISCLOSED TO ANY PERSON, CORPORATION OR OTHER ENTITY, DUPLICATED, AND/OR USED, EXCEPT AS EXPRESSLY APPROVED IN WRITING IN ADVANCE BY OWNER. THIS DOCUMENT SHALL BE RETURNED TO OWNER UPON REQUEST. IT MAY BE SUBJECT TO CERTAIN RESTRICTIONS UNDER APPLICABLE EXPORT CONTROL LAWS AND REGULATIONS.

DRAWN BY:	HZ
DATE:	06-04-2007
APPROVED BY:	TR
DATE:	01-04-2008
PROCESS/FINISH	

Regal Beloit America, Inc.	
DESCRIPTION	MODEL-RFHP-48FR OUTLINE
MATERIAL	
THIRD ANGLE PROJECTION	
SIZE	DWG NO. 969A
SHEET	1