

**GENERAL INFORMATION:**

SHAFT RUNOUT: .001[.03] T.I.R. PER INCH[25.4mm]  
LENGTH OF EXTENSION.

END PLAY: .010[.25] TO .063[1.60]

BEARINGS: SLEEVE

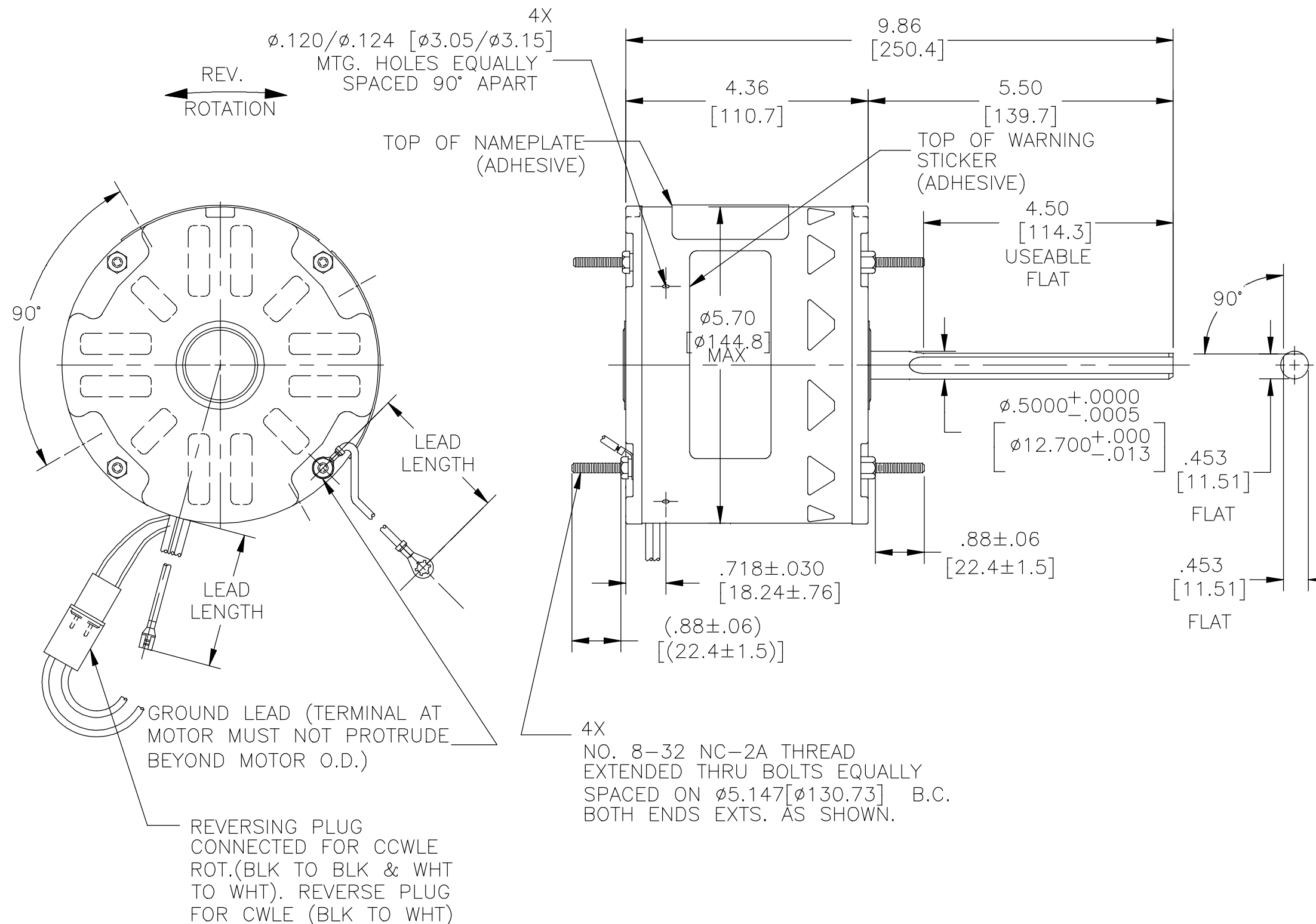
MOUNTING POSITION: VERTICAL SHAFT DOWN

**ELECTRICAL DATA:**

OVERLOAD PROTECTOR: AUTOMATIC RESET (T.I. 7AM 036)

LEADS: NO. 18 GA., .06[1.5] THK. PVC 105°C INSULATION.

GROUND LEAD: NO. 18 GA., .03[.8] THK. (GREEN) INSULATION.



NOTES:  
4X SCREWS 615982-001 TO BE PUT IN A POLYBAG & HANG ON SHAFT.

NAMEPLATE DATA:	EXTERNAL CONNECTION DIAGRAM
MODEL NO.: F48SJ6L11 CUST. P/N: ORM1036 HP: 1/3 ROT: REVERSIBLE RPM: 1075 TYPE: UF FRAME: 48Y VOLTS: 208-230 PH: 1 AMPS: 2.2(2.8 MAX) HZ: 60 INS: B AMB: 60 °C DUTY: AIR OVER CAP.: 7.5 MFD/370 VAC ENCL: SEMI ENCL UL LOGO CSA LOGO THERMALLY PROTECTED	<p>SEP.CAP.</p> <p>BROWN</p> <p>BRN/WHT</p> <p>YELLOW</p> <p>BLACK</p> <p>LINE</p> <p>BLK WHT BLK WHT</p> <p>CCWLE ROTATION</p> <p>BLK WHT WHT BLK</p> <p>CWLE ROTATION</p> <p>614131-115</p>

COLOR	LENGTH	TERMINAL OR STRIP LENGTH
BLACK/WHITE	3.0/5.0 [76/127]	REVERSING PLUG
GREEN (GRD)	12.0/13.0 [305/330]	#10 EYELET
BROWN	72.0/76.0 [1829/1930]	.25 [6.4] FEMALE SPADE
BROWN/WHITE	72.0/76.0 [1829/1930]	.25 [6.4] FEMALE SPADE
YELLOW	48.0/52.0 [1219/1321]	.25 [6.4] FEMALE SPADE
BLACK	48.0/52.0 [1219/1321]	.25 [6.4] FEMALE SPADE

REGAL-BELOIT CORPORATION (RBC) PROVIDES TECHNICAL ASSISTANCE TO OUR CUSTOMERS IN SEVERAL AREAS. SINCE RBC DOES NOT RECEIVE ALL DATA CONCERNING THE USE AND APPLICATION OF THE MOTOR, THE SUITABILITY OF THE MOTOR FOR THE APPLICATION MUST BE DETERMINED BY THE CUSTOMER.

DIMENSIONS WITHOUT TOLERANCES ARE FOR REFERENCE ONLY.

ENCLOSURE	CUSTOMER	DISTRIBUTION SERVICE
MAIN FRAME - OLE	OPEN	
END FRAME - OLE	OPEN	
MAIN FRAME - LE	ENCLOSED	
END FRAME - LE	ENCLOSED	

PERFORMANCE CURVE NO.	TORQUE @ 1075 RPM (25°C)	APPROVED SAMPLE	UL COMPONENT FILE #	CCN #	CSA FILE #	CLASS #
C23483	32.6 OZ.FT.	EX11540	E46412	PRGY2	LR43341	4211-01

DRAWING REVISION	REVISION BY	DATE
D	NANCY LIU	01-16-2018
ECO	CADDIE.ZHOU	01-16-2018

ECO-0137545  
SEE ECO

DRAWN BY:	DATE:	APPROVED BY:	DATE:
D.ZHANG	05-19-2011	C.ZHOU	05-19-2011

REGAL Regal Beloit America, Inc.

DESCRIPTION: MODEL-RFHP-48FR OUTLINE

MATERIAL: -

THIRD ANGLE PROJECTION

SIZE DWG NO: C ORM1036

SHEET 1

COPYRIGHT REGAL-BELOIT AMERICA, INC. ALL RIGHTS RESERVED. PROPRIETARY AND CONFIDENTIAL INFORMATION - THIS DOCUMENT IS THE PROPERTY OF REGAL-BELOIT AMERICA, INC. (OWNER) AND CONTAINS OWNER'S PROPRIETARY INFORMATION. ANY PERSON, CORPORATION OR OTHER FIRM RECEIVING IT IS DEEMED, BY RECEIVING IT, TO AGREE THAT IT, AND/OR ANY PART OF IT, SHALL NOT BE DISCLOSED TO ANY PERSON, CORPORATION OR OTHER ENTITY, DUPLICATED, AND/OR USED, EXCEPT AS EXPRESSLY APPROVED IN WRITING IN ADVANCE BY OWNER. THIS DOCUMENT SHALL BE RETURNED TO OWNER UPON REQUEST. IT MAY BE SUBJECT TO CERTAIN RESTRICTIONS UNDER APPLICABLE EXPORT CONTROL LAWS AND REGULATIONS.