

GENERAL INFORMATION:

SHAFT RUNOUT: .001[.03] T.I.R. PER INCH LENGTH OF EXTENSION

BEARINGS: BALL

MOUNTING POSITION: ALL ANGLE

ELECTRICAL DATA:

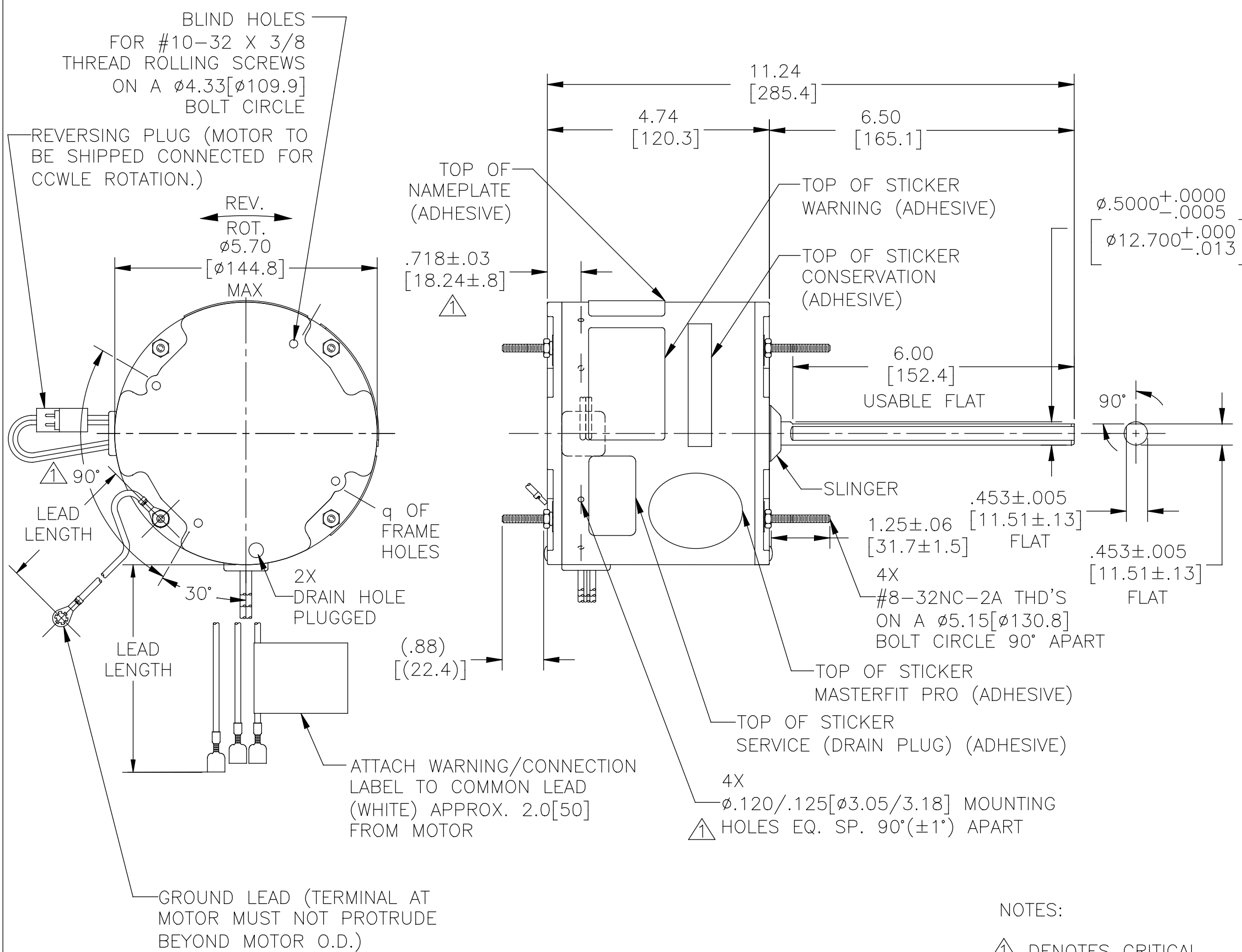
OVERLOAD PROTECTOR: AUTOMATIC RESET (SENSATA 7AM 304)

LINE LEADS: NO. 18 GA., .06[1.5] THK. XLP 125°C INSUL.

REVERSING PLUGS: NO. 18 GA., .03[.8] THK. XLP 125°C INSUL.

GROUND LEAD: NO. 18 GA., .03[.8] THK. (GREEN) INSULATION

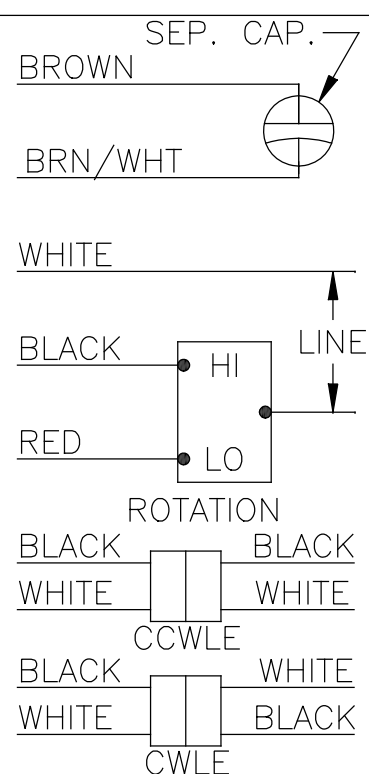
CAPACITOR: 5 MFD/370 VAC @ 230 VOLT  
7.5 MFD/370 VAC @ 208 VOLT



NAMEPLATE DATA:

MODEL NO.: F48AH43A01  
CUST. P/N: FE6000F  
HP: 1/3,1/5  
ROT.: REVERSIBLE  
RPM: 1075/2 SPD.  
TYPE: UF  
FRAME: 48  
VOLTS: 208-230  
PH: 1  
AMPS: 2.5,1.4  
HZ: 60  
INS.: F  
AMB.: 70°C  
DUTY: AIR OVER  
CAP.: 7.5 OR 5 MFD/370V  
ENCL: ENCLOSED  
UL LOGO  
CSA LOGO  
THERMALLY PROTECTED

EXTERNAL CONNECTION DIAGRAM



GREEN (GROUND)	12.0/13.0 [305/330]	#10 EYELET
BLACK/WHITE	3.0/5.0 [76/127]	REVERSING PLUG
BROWN	48.0/51.0 [1219/1295]	.25[6.4] FEMALE
BROWN/WHITE	48.0/51.0 [1219/1295]	.25[6.4] FEMALE
RED	48.0/51.0 [1219/1295]	.50[12.7] FEMALE
BLACK	48.0/51.0 [1219/1295]	.50[12.7] FEMALE
WHITE	48.0/51.0 [1219/1295]	.50[12.7] FEMALE
COLOR	LENGTH	TERMINAL OR STRIP LENGTH

PERFORMANCE CURVE NO.	TORQUE @ 1075 RPM (25°C)	APPROVED SAMPLE	UL COMPONENT FILE #	CCN #	CSA FILE #	CLASS #
C0000990	35.8 OZ. FT.	OER-0010108	E46412	PRGY2	LR43341	4211-01

REGAL-BELOIT CORPORATION (RBC) PROVIDES TECHNICAL ASSISTANCE TO OUR CUSTOMERS IN SEVERAL AREAS. SINCE RBC DOES NOT RECEIVE ALL DATA CONCERNING THE USE AND APPLICATION OF THE MOTOR, THE SUITABILITY OF THE MOTOR FOR THE APPLICATION MUST BE DETERMINED BY THE CUSTOMER.

DIMENSIONS WITHOUT TOLERANCES ARE FOR REFERENCE ONLY.

- NOTES:
- △ DENOTES CRITICAL CHARACTERISTICS.
- 4 #8 SCREWS AND 4 NUTS AND 4 #10 SCREW AND (1) 2518746-001 CLAMP AND (1) CAPACITOR TO BE PUT IN A POLYBAG & BE PACKED WITH EACH MOTOR.

MAIN FRAME - OLE	ENCLOSED
END FRAME - OLE	ENCLOSED
MAIN FRAME - OLE	ENCLOSED
END FRAME - OLE	ENCLOSED

CUSTOMER	DISTRIBUTION SERVICE
----------	----------------------

DRAWING REVISION	REVISION BY	DATE
R	JASMINE.ZHU	05-31-2017
E	DEXIAN.LI	05-31-20173
ECO-0124424		
ECO DESCRIPTION SEE ECO		

DRAWN BY: MH	DATE: 03-22-2010	APPROVED BY: DL	DATE: 03-22-2010
THIRD ANGLE PROJECTION	SIZE DWG NO C	SHEET 1	

COPYRIGHT REGAL-BELOIT CORPORATION, INC. ALL RIGHTS RESERVED. PROPRIETARY AND CONFIDENTIAL INFORMATION - THIS DOCUMENT IS THE PROPERTY OF REGAL-BELOIT CORPORATION, INC. ("OWNER") AND CONTAINS OWNER'S PROPRIETARY INFORMATION. ANY PERSON, CORPORATION OR OTHER FIRM RECEIVING IT IS DEEMED, BY RECEIVING IT, TO AGREE THAT IT, AND/OR ANY PART OF IT, SHALL NOT BE DISCLOSED TO ANY PERSON, CORPORATION OR OTHER ENTITY, DUPLICATED, AND/OR USED, EXCEPT AS EXPRESSLY APPROVED IN WRITING IN ADVANCE BY OWNER. THIS DOCUMENT SHALL BE RETURNED TO OWNER UPON REQUEST. IT MAY BE SUBJECT TO CERTAIN RESTRICTIONS UNDER APPLICABLE EXPORT CONTROL LAWS AND REGULATIONS.

REGAL™ Regal Beloit America, Inc.

DESCRIPTION  
MODEL-RFHP-48FR  
OUTLINE

MATERIAL - PROCESS/FINISH -  
FE6000F