

GENERAL INFORMATION:

SHAFT RUNOUT: .001[.025] T.I.R. PER INCH LENGTH OF EXTENSION.

END PLAY: .010[.254] TO .063[1.600]

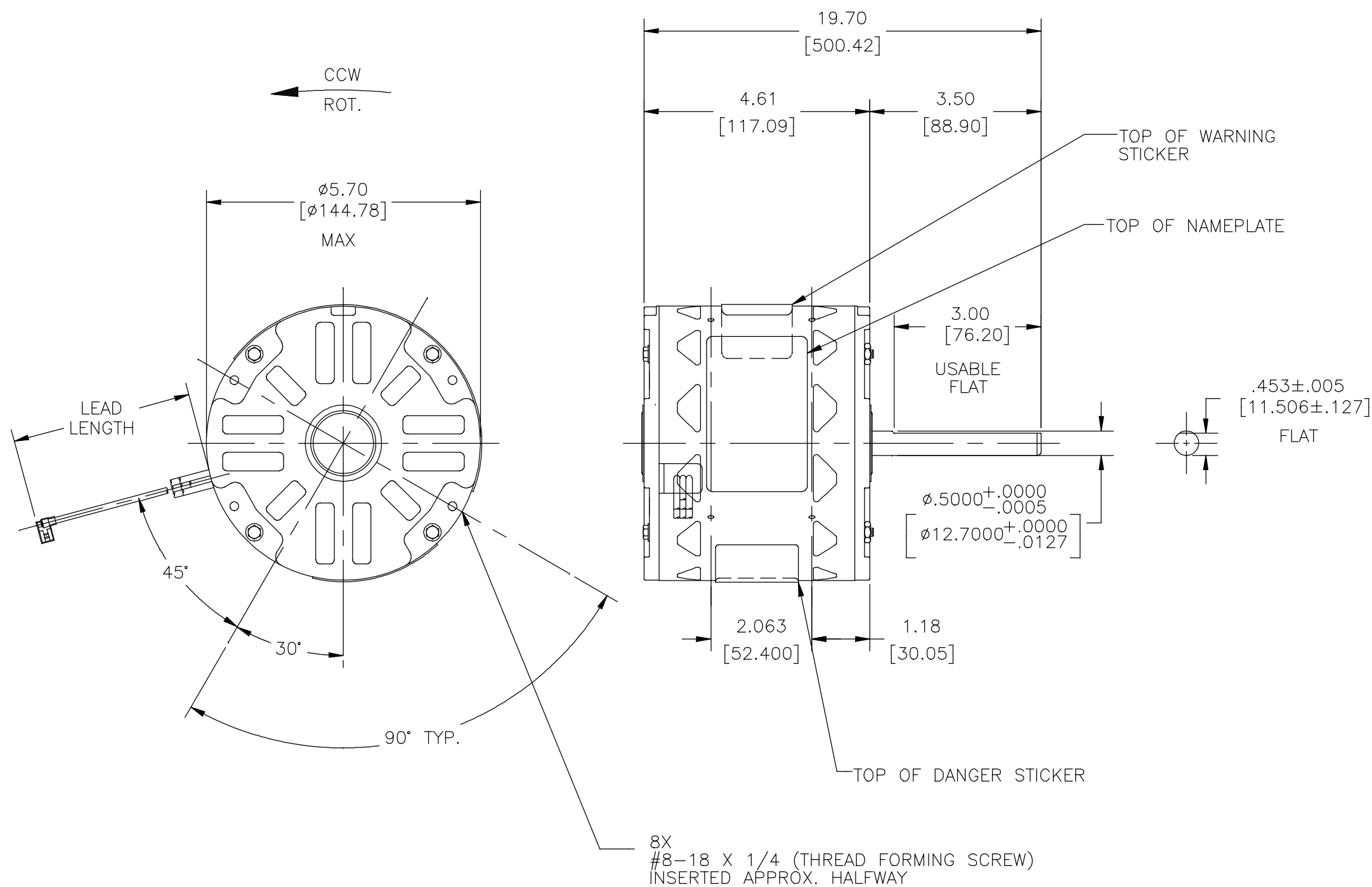
BEARINGS: SLEEVE

MOUNTING POSITION: HORIZONTAL

ELECTRICAL DATA:

OVERLOAD PROTECTOR: AUTOMATIC RESET (T.I. 7AM 036)

LEADS: NO. 18 GA., .06[1.52] THK., 105°C PVC INSUL.



NOTES:
8X SCREWS 615982-001 TO BE PUT IN A POLYBAG & HANG ON SHAFT.

REGAL-BELOIT CORPORATION (RBC) PROVIDES TECHNICAL ASSISTANCE TO OUR CUSTOMERS IN SEVERAL AREAS. SINCE RBC DOES NOT RECEIVE ALL DATA CONCERNING THE USE AND APPLICATION OF THE MOTOR, THE SUITABILITY OF THE MOTOR FOR THE APPLICATION MUST BE DETERMINED BY THE CUSTOMER.

DIMENSIONS WITHOUT TOLERANCES ARE FOR REFERENCE ONLY.

MAIN FRAME - OLE	OPEN
END FRAME - OLE	OPEN
MAIN FRAME - LE	OPEN
END FRAME - LE	OPEN

CUSTOMER	DISTRIBUTION SERVICE
----------	----------------------

NAMEPLATE DATA:	EXTERNAL CONNECTION DIAGRAM
MODEL: F48J88A01 CUST. P/N: ORM1056 HP: 1/2 ROT: CCWLE RPM: 1050/4 SPD. TYPE: UF FRAME: 48 VOLTS: 115 PH: 1 AMPS: 5.7 HZ: 60 INS: B AMB: 40°C DUTY: AIR OVER ENCL: OPEN CAP.: 7.5 MFD/370V UL & CSA LOGO THERMALLY PROTECTED	

614131-088

COLOR	LENGTH	TERMINAL OR STRIP LENGTH
BROWN	10/12[254/305]	.25[6.35] FLAG
BROWN	10/12[254/305]	.25[6.35] FLAG
WHITE	17/19[432/483]	.25[6.35] FLAG
BLUE	17/19[432/483]	.25[6.35] FLAG
BLACK	17/19[432/483]	.25[6.35] FLAG
YELLOW	17/19[432/483]	.25[6.35] FLAG
RED	17/19[432/483]	.25[6.35] FLAG

UL COMPONENT		CSA	
FILE #	CCN #	FILE #	CLASS #
E46412	PRGY2	LR43341	260-0-0

PERFORMANCE CURVE NO.	TORQUE @ 1050 RPM (25°C)	APPROVED SAMPLE	FILE #	CCN #	FILE #	CLASS #
C31505	37.5 OZ. FT.	97AC360B	E46412	PRGY2	LR43341	260-0-0

DRAWING REVISION B	REVISION BY NANCY LIU	DATE 01-16-2018
ECO-0137545	APPROVED BY CADDIE.ZHOU	DATE 01-16-2018

ECO DESCRIPTION SEE ECO

COPYRIGHT REGAL-BELOIT AMERICA, INC. ALL RIGHTS RESERVED. PROPRIETARY AND CONFIDENTIAL INFORMATION - THIS DOCUMENT IS THE PROPERTY OF REGAL-BELOIT AMERICA, INC. (OWNER) AND CONTAINS OWNER'S PROPRIETARY INFORMATION. ANY PERSON, CORPORATION OR OTHER FIRM RECEIVING IT IS DEEMED, BY RECEIVING IT, TO AGREE THAT IT, AND/OR ANY PART OF IT, SHALL NOT BE DISCLOSED TO ANY PERSON, CORPORATION OR OTHER ENTITY, DUPLICATED, AND/OR USED, EXCEPT AS EXPRESSLY APPROVED IN WRITING IN ADVANCE BY OWNER. THIS DOCUMENT SHALL BE RETURNED TO OWNER UPON REQUEST. IT MAY BE SUBJECT TO CERTAIN RESTRICTIONS UNDER APPLICABLE EXPORT CONTROL LAWS AND REGULATIONS.

DRAWN BY: J.YAO	DATE: 07-07-2014
APPROVED BY: J.ZHU	DATE: 07-07-2014
REFERENCE: 11915-023	SIZE: C
THIRD ANGLE PROJECTION	DWG NO: ORM1056

REGAL™ Regal Beloit America, Inc.

DESCRIPTION: MODEL-RFHP-48FR OUTLINE

MATERIAL: - PROCESS/FINISH: -

SIZE: C DWG NO: ORM1056 SHEET: 1