

GENERAL INFORMATION:

SHAFT RUNOUT: .001[.02] T.I.R. PER INCH LENGTH OF EXTENSION.

END PLAY: .010[.25] TO .063[1.60]

BEARINGS: SLEEVE

MOUNTING POSITION: ALL ANGLE

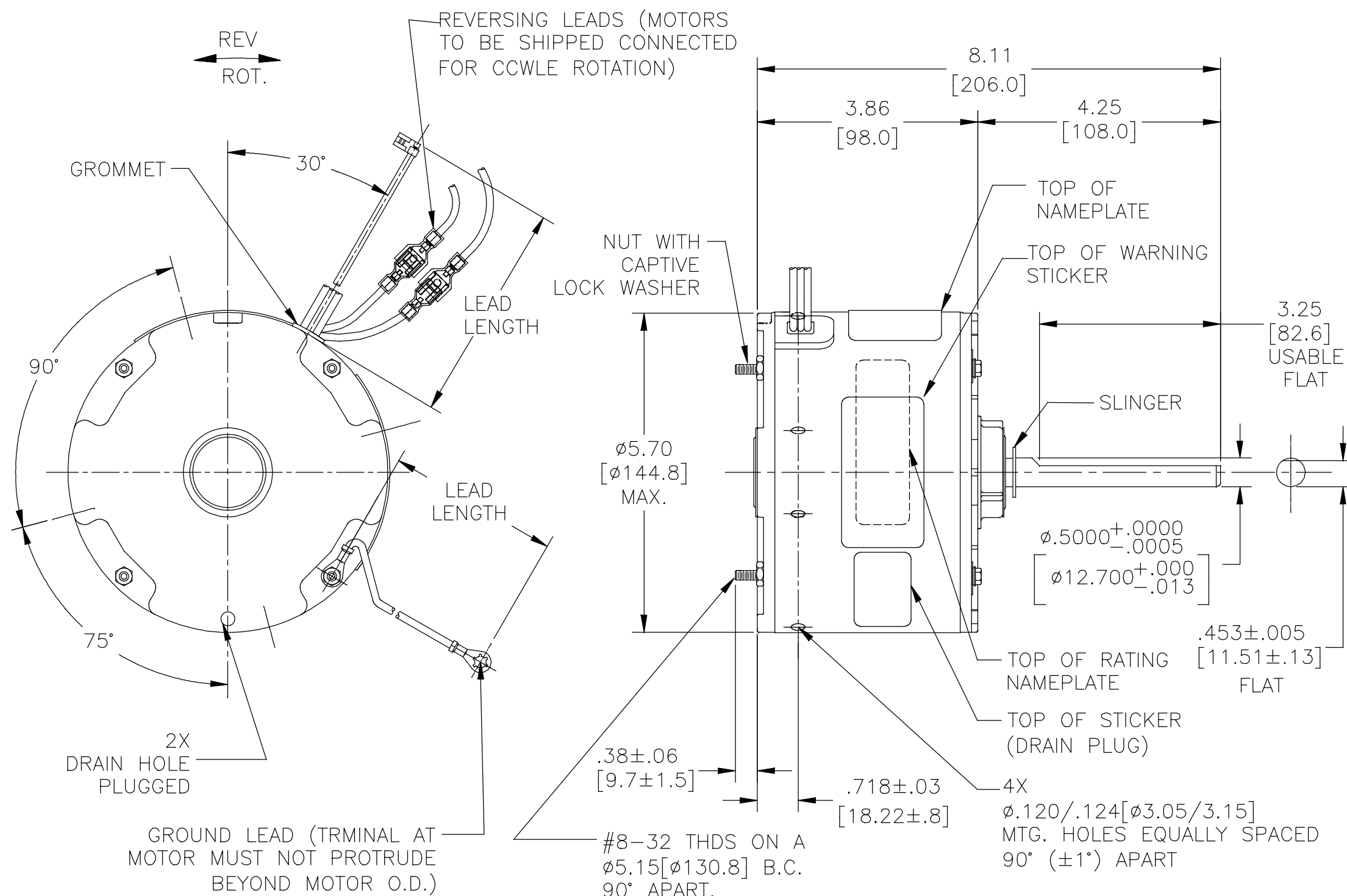
ELECTRICAL DATA:

OVERLOAD PROTECTOR: AUTOMATIC RESET (T.I. 7AM 036)

LEADS: NO. 18 GA., .06[1.5] THK., PVC 105°C INSUL.

REVERSING LEADS: NO. 18 GA., .03[.8] THK., 125°C INSUL.

GROUND LEAD: NO. 18 GA., .03[.8] THK., (GREEN) INSUL.



NOTES:  
 (4)SCREWS 615982-001 &  
 (4) EXTRA HEX NUTS  
 7555A19H01 TO BE PUT IN A  
 POLYBAG & HANG ON SHAFT.

GREEN(GND)	6.0[152]/7.0[178]	#10 EYELET
YELLOW(REV)	4.0[102]/5.0[127]	.25[6.4] MALE INSUL. SPADE
YELLOW(REV)	4.0[102]/5.0[127]	.25[6.4] FEMALE INSUL. SPADE
ORANGE(REV)	4.0[102]/5.0[127]	.25[6.4] MALE INSUL. SPADE
ORANGE(REV)	4.0[102]/5.0[127]	.25[6.4] FEMALE INSUL. SPADE
BROWN/WHITE	41.0[1041]/44.0[1117]	.25[6.4] FLAG
BROWN	41.0[1041]/44.0[1117]	.25[6.4] FLAG
WHITE	41.0[1041]/44.0[1117]	.25[6.4] FLAG
BLACK	41.0[1041]/44.0[1117]	.25[6.4] FLAG
COLOR	LENGTH	TERMINAL OR STRIP LENGTH

REGAL-BELOIT CORPORATION (RBC) PROVIDES TECHNICAL ASSISTANCE TO OUR CUSTOMERS IN SEVERAL AREAS. SINCE RBC DOES NOT RECEIVE ALL DATA CONCERNING THE USE AND APPLICATION OF THE MOTOR, THE SUITABILITY OF THE MOTOR FOR THE APPLICATION MUST BE DETERMINED BY THE CUSTOMER.

DIMENSIONS WITHOUT TOLERANCES ARE FOR REFERENCE ONLY.

MAIN FR -OLE	ENCLOSED
END FR -OLE	ENCLOSED
MAIN FR -OLE	ENCLOSED
END FR -OLE	ENCLOSED

CUSTOMER	DISTRIBUTION SERVICES
----------	-----------------------

NAMEPLATE DATA	EXTERNAL CONNECTION DIAGRAM
MODEL No: F48V61A01 CUST P/N: [ ] HP: 1/5 ROT: REV. RPM: 1075 TYPE: UF FRAME: 48Y VOLTS: 208-230 PH: 1 AMPS: 1.4 HZ: 60 INS: B AMB: 40°C DUTY: AIR OVER CAP: 5 OR 3 MFD/370V ENCL: ENCLOSED UL LOGO CSA LOGO THERMALLY PROTECTED	SEP CAP. BROWN BRN/WHT WHITE BLACK LINE ROTATION AT LEAD END CCW CW ORN(1) YEL(1) ORN(2) YEL(2) ORN(1) YEL(1) YEL(2) ORN(2) 614131-322

PERFORMANCE CURVE No.	TORQUE @1075 RPM (25°C)	APPROVED SAMPLE	UL COMPONENT FILE #	CCN#	CSA FILE#	CLASS#
C32397	17.8 OZ. FT.	0444592B	E46412	PRGY2	LR43341	4211-01

DRAWING REVISION A	REVISION BY NANCY LIU	DATE 01-16-2018
ECO	APPROVED BY CADDIE.ZHOU	DATE 01-16-2018
ECO-0137545		
ECO DESCRIPTION NEW RELEASE		

COPYRIGHT REGAL BELOIT AMERICA, INC. ALL RIGHTS RESERVED. PROPRIETARY AND CONFIDENTIAL INFORMATION - THIS DOCUMENT IS THE PROPERTY OF REGAL BELOIT AMERICA, INC. (OWNER) AND CONTAINS OWNER'S PROPRIETARY INFORMATION. ANY PERSON, CORPORATION OR OTHER FIRM RECEIVING IT IS DEEMED, BY RECEIVING IT, TO AGREE THAT IT, AND/OR ANY PART OF IT, SHALL NOT BE DISCLOSED TO ANY PERSON, CORPORATION OR OTHER ENTITY, DUPLICATED, AND/OR USED, EXCEPT AS EXPRESSLY APPROVED IN WRITING IN ADVANCE BY OWNER. THIS DOCUMENT SHALL BE RETURNED TO OWNER UPON REQUEST. IT MAY BE SUBJECT TO CERTAIN RESTRICTIONS UNDER APPLICABLE EXPORT CONTROL LAWS AND REGULATIONS.

DRAWN BY: TW	DATE: 04-30-2012	APPROVED BY: HZ	DATE: 04-30-2010	REFERENCE: F48V61A01	THIRD ANGLE PROJECTION
REGAL™ Regal Beloit America, Inc.		DESCRIPTION: MODEL-RFHP-48FR OUTLINE			
MATERIAL: -		PROCESS/FINISH: -		SIZE: C	DWG NO: ORM10206V1
SHEET 1					