

**GENERAL INFORMATION:**

SHAFT RUNOUT: .001 T.I.R. PER INCH LENGTH OF EXTENSION.

END PLAY: .010 TO .063

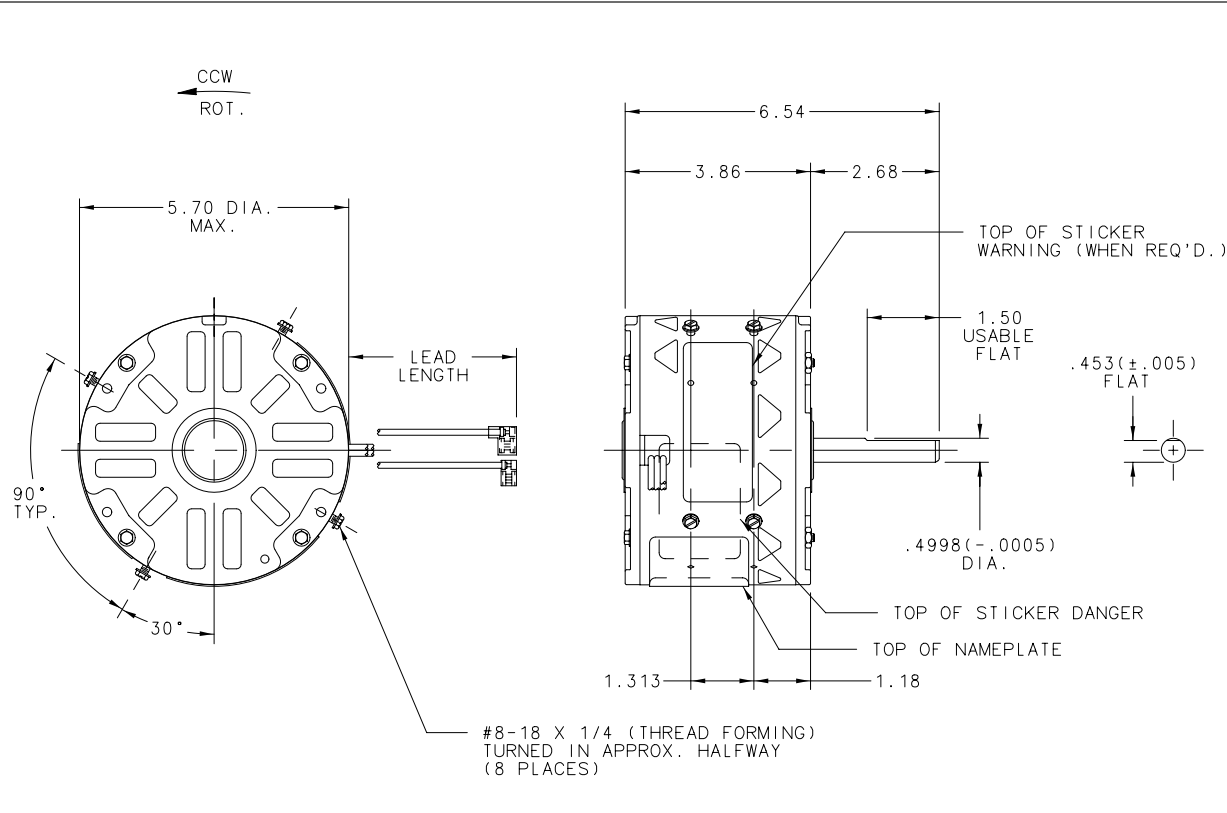
BEARINGS: SLEEVE

MOUNTING POSITION: ALL ANGLE

**ELECTRICAL DATA:**

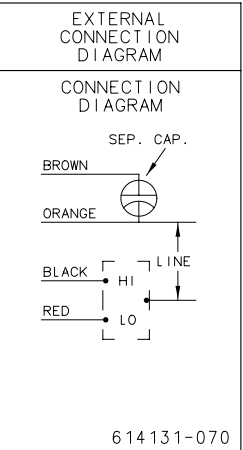
OVERLOAD PROTECTOR: AUTOMATIC RESET (T.I. 7AM 036)

LEADS: NO. 18 GA., .06 THK., 125°C XLP



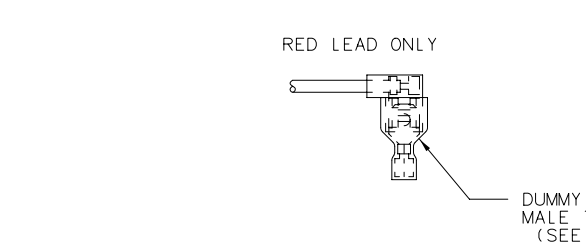
**NAMEPLATE DATA:**

MODEL: F48E51A01  
 CUST. P/N: ORM1008V1  
 HP: 1/8  
 ROT: CCWLE  
 RPM: 825/2 SPD  
 TYPE: UF  
 FRAME: 48Y  
 VOLTS: 208-230  
 PH: 1  
 AMPS: 1.4  
 HZ: 60/50  
 INS: B  
 AMB: 40 °C  
 DUTY: AIR OVER  
 CODE: -  
 CAP.: 5 MFD/370V  
 ENCL: SEMI-ENCL.  
 UL LOGO  
 CSA LOGO  
 THERMALLY PROTECTED



PERFORMANCE CURVE NO.	TORQUE @ 825 RPM (25°C)	APPROVED SAMPLE	UL COMPONENT FILE#	GUIDE#	CSA FILE#	GUIDE#
C30855	18.4 OZ. FT.	92AE834A	E46412	PRGY2	LR43341	260-0-0

DATE	CHANGED FROM	APPROVED ENG DRG	NOTICE	DATE	CHANGED FROM	APPROVED ENG DRG	NOTICE
J				B 02/04/99	REVISED MODEL NO., CUST. P/N, CUST. NAME, AND ENCL.	JAR WBH	98AR0359
K				C 05/07/04	REMOVED STRAY GEOMETRY	KAG KAG	0442177
L				D			
M				E			
N				F			
P				G			
R				H			



COLOR	LENGTH	TERMINAL OR STRIP LENGTH
BROWN	14 / 16	.25 FLAG
ORANGE	14 / 16	.25 FLAG
BLACK	14 / 16	.25 PRE-INSUL. FLAG
RED	14 / 16	.25 PRE-INSUL. FLAG

**LEAD DATA**

MAIN FR.-OLE	OPEN
END FR.-OLE	OPEN
MAIN FR.-LE	SEMI-ENCL.
END FR.-LE	OPEN

**ENCLOSURE**

CUST. DISTRIBUTION SERVICES

A.O. SMITH PROVIDES TECHNICAL ASSISTANCE TO OUR CUSTOMERS IN SEVERAL AREAS. SINCE A.O. SMITH DOES NOT RECEIVE ALL DATA CONCERNING THE USE AND APPLICATION OF THE MOTOR, THE SUITABILITY OF THE MOTOR FOR THE APPLICATION MUST BE DETERMINED BY THE CUSTOMER.

DIMENSIONS WITHOUT TOLERANCES ARE FOR REF. ONLY

CONFIDENTIAL: THIS DRAWING AND ITS INFORMATION ARE THE EXCLUSIVE AND CONFIDENTIAL PROPERTY OF A.O. SMITH CORP. AND ARE NOT TO BE DISCLOSED, DUPLICATED, DISTRIBUTED OR OTHERWISE USED WITHOUT THE WRITTEN CONSENT OF A.O. SMITH CORP. - ALL RIGHTS RESERVED

MATERIAL	-	DRAWN	RUPERT 11/03/93	<p>A DIVISION OF A.O. SMITH CORPORATION</p> <p>1199 CITY, OHIO</p> <p>COPYRIGHT 1995</p>
PROCESS	-	APPROVED	TPR 03/21/94	
REFERENCE	-	APPLICATION	F48E51A01	DESCRIPTION
USER/FILE	PSCS/MOTOUT	SCALE	NONE	NOTICE
SIZE	B	PART NUMBER	11915-021	OUTLINE MOTOR
SHEET	1	93AN0718		