

4

3

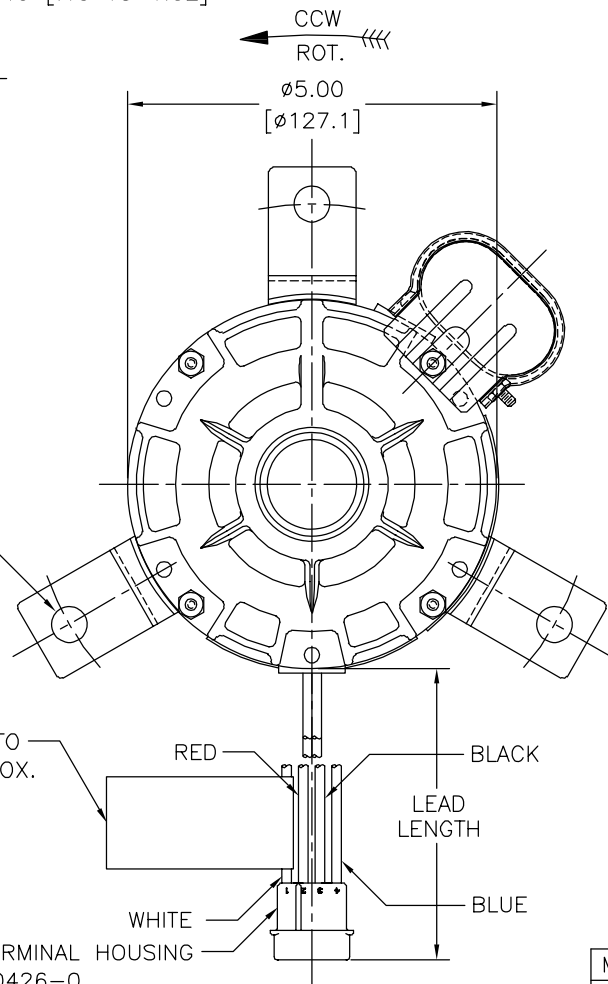
2

1

REV	ECO	REV BY	DATE	APPD	DATE
C	0029015	E.SINECIO	10-17-2012	G.ALVIDREZ	10-17-2012

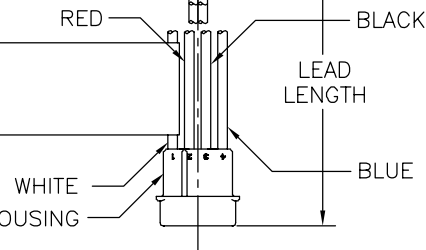
GENERAL INFORMATION:

SHAFT RUNOUT: .001 [.025] T.I.R. PER INCH LENGTH OF EXTENSION  
 END PLAY: .005 TO .040 [.13 TO 1.02]  
 BEARINGS: SLEEVE  
 MOUNTING POSITION: HORIZONTAL



3X ø.50 [ø12.7] ON A  
 ø7.59 [ø192.8] B.C.

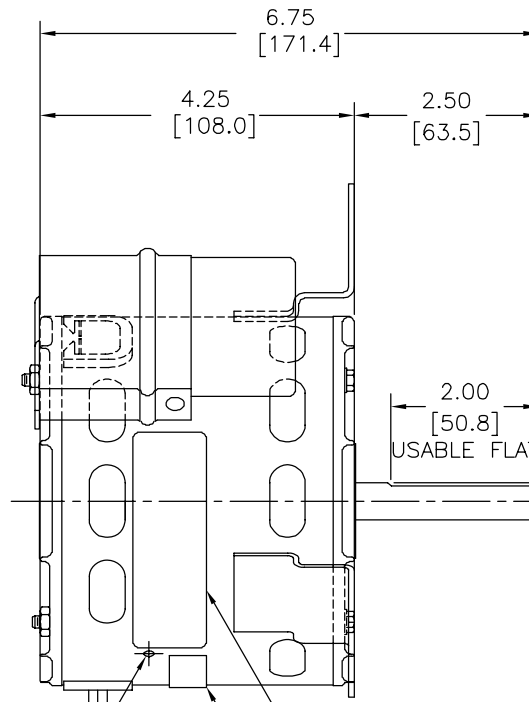
ATTACH CONNECTION LABEL TO COMMON (WHITE) LEAD APPROX. 2.0 [51] FROM MOTOR



ELECTRICAL DATA:

#1-480426-0  
 OVERLOAD PROTECTOR: AUTOMATIC RESET (T.I. 7AM 093)  
 LEADS: NO. 18 GA., .03 [.8] THK. XLP 125°C INSUL.

MAIN FRAME - OLE	OPEN
END FRAME - OLE	OPEN
MAIN FRAME - LE	OPEN
END FRAME - LE	OPEN
ENCLOSURE	

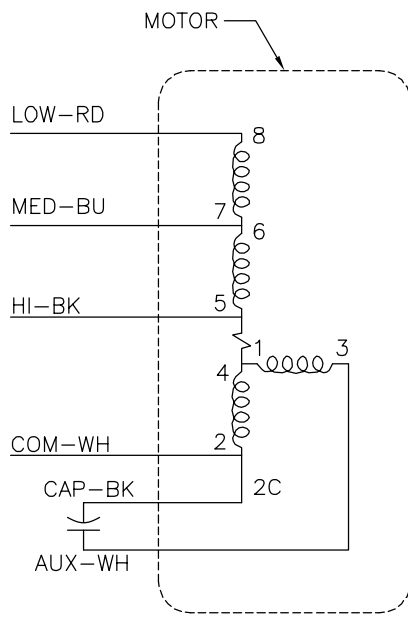


2X ø.136+0.002/-0.003  
 ø3.45+0.05/-0.08  
 \*\* THRU FOR CONDUIT BOX (CUSTOMERS USE)

\*\* WARNING:  
 USING SCREWS EXCEEDING .25 [6.4] IN LENGTH COULD RESULT IN MOTOR FAILURE AND/OR ELECTRICAL SHOCK OF OPERATOR AND VOIDS A.O. SMITH OF ALL LIABILITY AND CLAIMS.

BLACK	CONNECTED TO CAPACITOR	.25 [6.4] FLAG
WHITE	CONNECTED TO CAPACITOR	.25 [6.4] FLAG
RED	14.0/16.0 [356/406]	AMP PIN TERMINAL #61118-1
BLUE	14.0/16.0 [356/406]	AMP PIN TERMINAL #61118-1
BLACK	14.0/16.0 [356/406]	AMP PIN TERMINAL #61118-1
WHITE	14.0/16.0 [356/406]	AMP PIN TERMINAL #61118-1
COLOR	LENGTH	TERMINAL OR STRIP LENGTH
LEAD DATA		

SCHEMATIC -21



NAMEPLATE DATA:

**Century** TIPP CITY, OHIO THERMALLY PROTECTED

SER. DATE & PO# PLT LTR MOD DE2F110N' CAT. NO. OPV747  
 VOLTS 115 HZ 60 AMPS 2.5/2.1/1.6  
 RPM1550/1300/1050 SP 3 PH 1 CAP 5 MFD/370 VAC  
 INS CL B AMB 50°C HP - AO CCWLE-CWSE  
 FX/DX 11RSV ASSEMBLED IN MEXICO  
 R-1/7 HP, S-1/11 HP, V-1/25 HP

PERFORMANCE CURVE NO.	TORQUE @ 1550 RPM (25°C)	APPROVED SAMPLE	UL COMPONENT	CSA
-	72.0 OZ. IN.	S-9967E	FILE # CCN #	FILE # CLASS #

GEOMETRIC CHARACTERISTICS & SYMBOLS  
 ▢ FLATNESS  
 - STRAIGHTNESS  
 < ANGLARITY  
 ⊥ PERPENDICULARITY (SQUARENESS)  
 // PARALLELISM  
 ○ ROUNDNESS (CIRCULARITY)  
 ∅ CYLINDRICITY  
 △ PROFILE OF ANY SURFACE  
 ∩ PROFILE OF ANY LINE  
 ∠ RUNOUT  
 ⊕ TRUE POSITION  
 ⊙ CONCENTRICITY  
 = SYMMETRY  
 ASME Y14.5M 1994

REGAL-BELOIT CORPORATION (RBC) PROVIDES TECHNICAL ASSISTANCE TO OUR CUSTOMERS IN SEVERAL AREAS. SINCE RBC DOES NOT RECEIVE ALL DATA CONCERNING THE USE AND APPLICATION OF THE MOTOR, THE SUITABILITY OF THE MOTOR FOR THE APPLICATION MUST BE DETERMINED BY THE CUSTOMER.

DIMENSIONS WITHOUT TOLERANCES ARE FOR REFERENCE ONLY.

DR BY: J.RUPERT 11-24-2009  
 APPD: T.RILEY 11-24-2009  
 THIRD ANGLE PROJECTION  
 EDS DATE 11-11-2011  
 FORMAT REV H  
 CONFIDENTIAL: THIS DRAWING AND ITS INFORMATION ARE THE EXCLUSIVE AND CONFIDENTIAL PROPERTY OF REGAL-BELOIT CORPORATION AND ARE NOT TO BE DISCLOSED, DUPLICATED, DISTRIBUTED OR OTHERWISE USED WITHOUT THE WRITTEN CONSENT OF REGAL-BELOIT CORPORATION. -ALL RIGHTS RESERVED.

**REGAL REGAL-BELOIT CORPORATION**

DESCRIPTION: MODEL-RFHP-42FR OUTLINE  
 SIZE C DWG NO DE2F7110  
 SCALE NONE SHEET 1

4

3

2

1

4

3

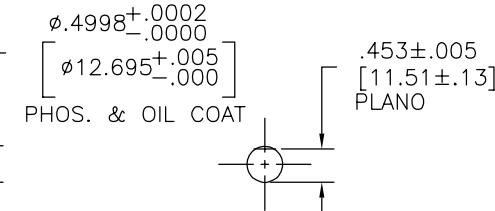
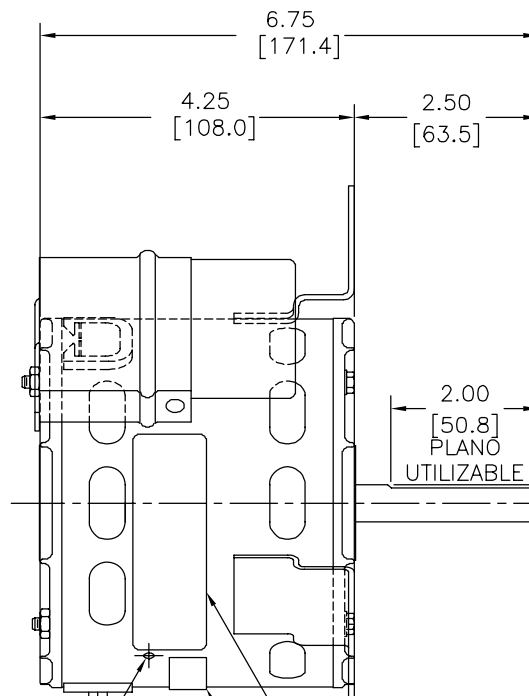
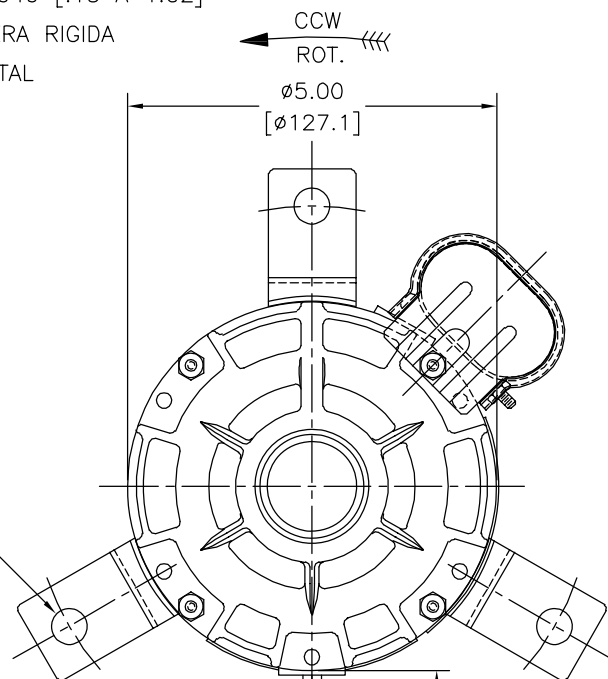
2

1

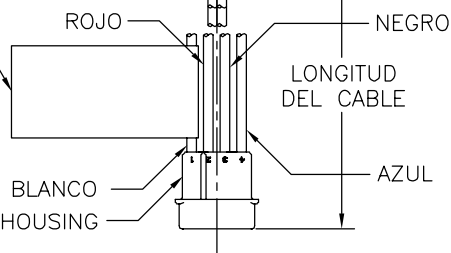
INFORMACION GENERAL:

OSCILACION DE FLECHA: .001 [.03] T.I.R. PER INCH LENGTH OF EXTENSION  
 JUEGO AXIAL: .005 A .040 [.13 A 1.02]  
 BALEROS: CHUMACERA RIGIDA  
 POSICION DEL MONTAJE: HORIZONTAL

REVISION:	ECO	REVISADO POR:	FECHA:	APROBADO POR:	FECHA:
C	0029015	E.SINECIO	10-17-2012	G.ALVIDREZ	10-17-2012



ETIQUETA DE CHACAS DE IDENTIFICACION AL PLOMO (BLANCO) WHITE MILBADA APPROX. 2.0 [51.2] DE 5 M OF FORM (NO ESVA)



2X ø.136+0.002/-0.003 [ø3.45+0.05/-0.08]  
 \*\* THRU FOR CONDUIT BOX (CUSTOMERS USE)

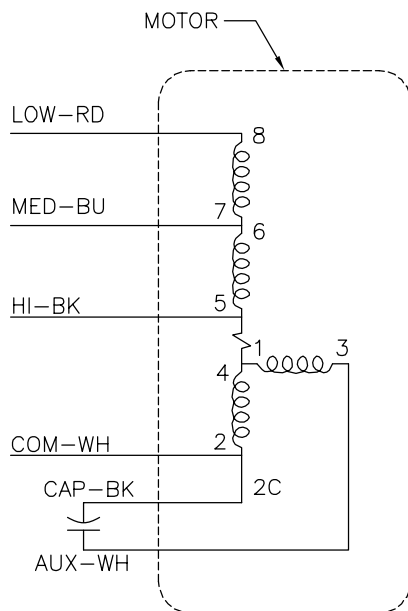
CARCASA - LOC	ABIERTA
TAPA - LOC	ABIERTA
CARCASA - LC	ABIERTA
TAPA - LC	ABIERTA
TIPO DE MOTOR	

INFORMACION ELECTRICA:

PROTECTOR DE SOBRECARGA: REINICIO AUTOMATIC (T.I. 7AM 093)  
 CABLES: NO. 18 GA., .03 [.8] THK. XLP 125°C AISLAM.

\*\* WARNING:  
 USING SCREWS EXCEEDING .25 [6.4] IN LENGTH COULD RESULT IN MOTOR FAILURE AND/OR ELECTRICAL SHOCK OF OPERATOR AND VOIDS A.O. SMITH OF ALL LIABILITY AND CLAIMS.

SCHEMATIC -21



NAMEPLATE DATA:



TIPP CITY, OHIO  
 THERMALLY PROTECTED



SER. DATE & P# PLT LTR MOD DE2F110N' CAT. NO. OPV747  
 VOLTS 115 HZ 60 AMPS 2.5/2.1/1.6  
 RPM1550/1300/1050 SP 3 PH 1 CAP 5 MFD/370 VAC  
 INS CL B AMB 50°C HP - AO C CWLE-CWSE  
 FX/DX 11RSV ASSEMBLED IN MEXICO  
 R-1/7 HP, S-1/11 HP, V-1/25 HP

CURVAS DE FUNCIONAMIENTO	TORSION @ 1550 RPM (25°C)	MUESTRA APROBADA	COMPONENTE UL	CSA
-	72.0 OZ. IN.	S-9967E	#ARCHIVO CCN #	#ARCHIVO CLASE #

CARACTERISTICAS DE GEOMETRIA Y SIMBOLOS  
 □ PLANICIDAD  
 - RECTITUD  
 < ANGULARIDAD  
 ⊥ PERPENDICULARIDAD (A ESCUADRA)  
 // PARALELISMO  
 ○ REDONDEZ (CIRCULARIDAD)  
 ∅ CILINDRICIDAD  
 △ PERFIL DE CUALQUIER SUPERFICIE  
 ∩ PERFIL DE CUALQUIER LINEA  
 / VARIACION  
 ⊕ POSICION REAL  
 ⊙ CONCENTRICIDAD  
 = SIMETRIA

REGAL-BELOIT CORPORATION (RBC) PROVEE ASISTENCIA TECNICA A NUESTROS CLIENTES EN VARIAS AREAS. DESDE QUE RBC NO RECIBE TODOS LOS DATOS EN RELACION AL USO Y A LA APLICACION DEL MOTOR, LA APLICACION ADECUADA DEL MOTOR DEBE SER DETERMINADA POR EL CLIENTE.

DIMENSIONES SIN TOLERANCIA SON DE REFERENCIA SOLAMENTE

DIBUJADO POR: J.RUPERT 11-24-2009  
 APROBADO POR: T.RILEY 11-24-2009  
 TERCER ANGULO DE PROYECCION  
 FECHA EDS: 11-11-2011  
 REV. FORMATO: H  
 CONFIDENCIAL: ESTE DIBUJO Y SU INFORMACION SON PROPIEDAD DE USO EXCLUSIVO Y CONFIDENCIAL DE REGAL-BELOIT CORPORATION. Y NO DEBERAN SER REVELADOS, DUPLICADOS, DISTRIBUIDOS O USARSE DE OTRA MANERA SIN EL CONSENTIMIENTO ESCRITO DE REGAL-BELOIT CORPORATION. -TODOS LOS DERECHOS RESERVADOS.

NEGRO	CONECTADO A ALCA PARA MOTOR	.25 [6.4] BANDERA
BLANCO	CONECTADO A ALCA PARA MOTOR	.25 [6.4] BANDERA
ROJO	14.0/16.0 [356/406]	
AZUL	14.0/16.0 [356/406]	
NEGRO	14.0/16.0 [356/406]	
BLANCO	14.0/16.0 [356/406]	
COLOR	LONGITUD	TERMINAL O LONGITUD DE DESFORRE



DESCRIPCION: MODEL-RFHP-42FR OUTLINE  
 TAMAÑO: C NUMERO DE DIBUJO: DE2F7110  
 ESCALA: NONE HOJA: 1

4

3

2

1

4

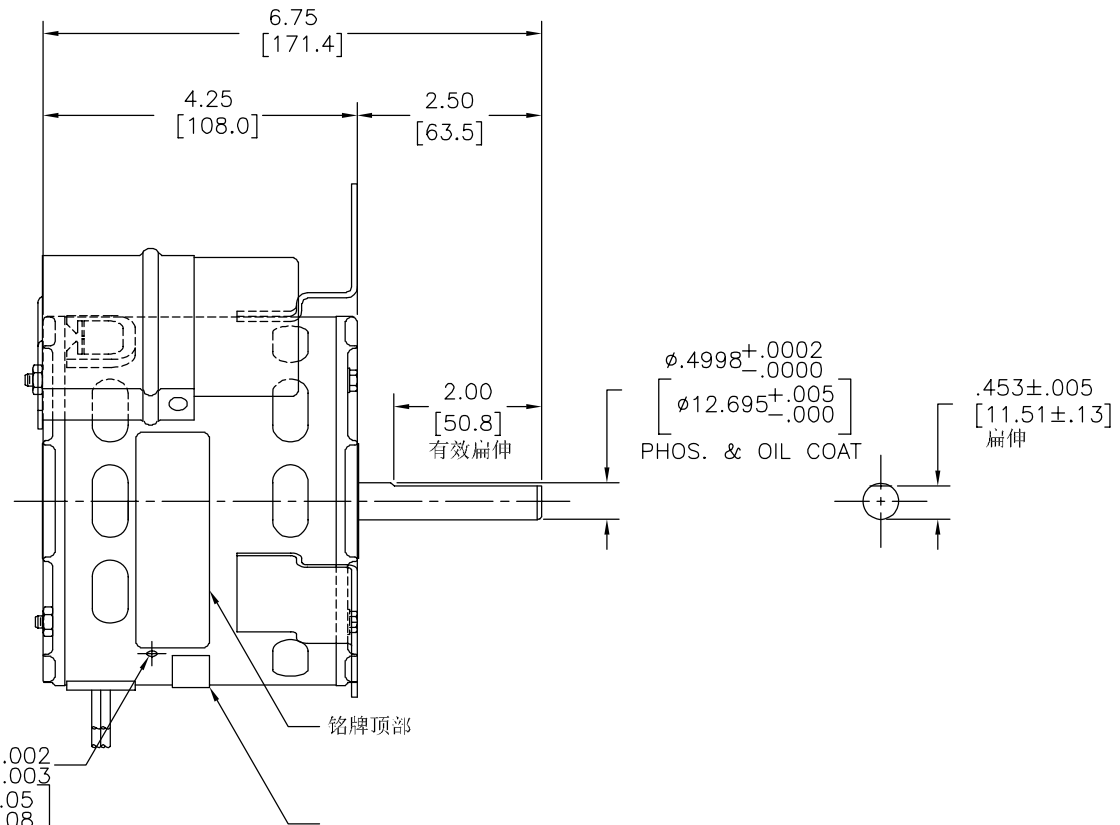
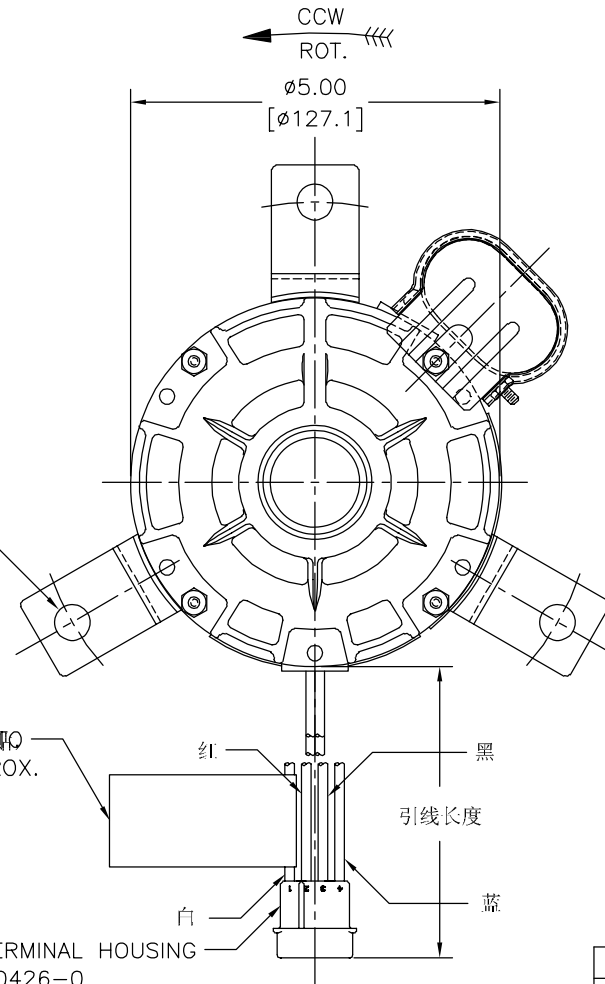
3

2

1

总技术要求:  
 轴跳动: .001 [.03]/1[25.4] 外伸轴  
 端部窜动量: .005 到 .040 [.13 到 1.02]  
 轴承: 含油轴承  
 安装位置: 水平

版本	ECO	编制	日期	批准	日期
C	0029015	E.SINECIO	10-17-2012	G.ALVIDREZ	10-17-2012

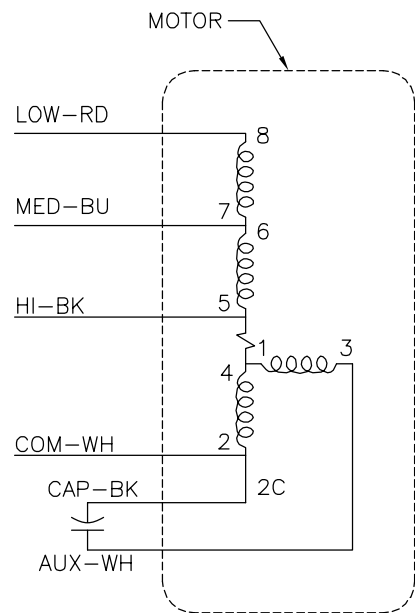


电气数据:  
 过载保护: 自动复位 (T.I. 7AM 093)  
 引线: 18# (美制标准), 厚.03 [.8] XLP 125° C 绝缘

无引线端机壳	开放
无引线端端盖	开放
有引线端机壳	开放
有引线端端盖	开放
密封性	

\*\* WARNING:  
 USING SCREWS EXCEEDING .25 [6.4] IN LENGTH COULD RESULT IN MOTOR FAILURE AND/OR ELECTRICAL SHOCK OF OPERATOR AND VOIDS A.O. SMITH OF ALL LIABILITY AND CLAIMS.

SCHEMATIC -21



NAMEPLATE DATA:

TIPP CITY, OHIO  
 THERMALLY PROTECTED

SER. DATE & P0# PLT LTR MOD DE2F110N' CAT. NO. OPV747  
 VOLTS 115 HZ 60 AMPS 2.5/2.1/1.6  
 RPM 1550/1300/1050 SP 3 PH 1 CAP 5 MFD/370 VAC  
 INS CL B AMB 50°C HP - AO CCWLE-CWSE  
 FX/DX 11RSV ASSEMBLED IN MEXICO  
 R-1/7 HP, S-1/11 HP, V-1/25 HP

性能曲线编号	转矩在 @ 1550 RPM (25° C)	批准样品	UL 部件		CSA	
			文件号	指南	文件号	指南
-	72.0 OZ. IN.	S-9967E	-	-	-	-

- 形位公差:  
 □ 平面度  
 — 直线度  
 ⊥ 倾斜度  
 ⊥ 垂直度  
 // 平行度  
 ○ 圆度  
 ⊙ 圆柱度  
 △ 面轮廓度  
 △ 线轮廓度  
 ⤴ 圆跳动  
 ⊕ 位置度  
 ⊙ 同轴度  
 ≡ 对称度

REGAL-BELOIT CORPORATION (RBC) 在个别领域为客户提供技术支持。鉴于RBC未收到任何涉及电机使用和应用环境的数据, 电机的适用性由客户自己决定。

未注公差尺寸仅供参考。

绘图: J.RUPERT 11-24-2009  
 批准: T.RILEY 11-24-2009  
 第三角投影  
 图纸格式发布日期 11-11-2011  
 图纸格式版本 H  
 机密: 本图纸及相关信息所有权归REGAL-BELOIT CORPORATION。未经REGAL-BELOIT CORPORATION书面授权, 不得泄露、复制、传播或作其他用途。—版权所有

黑	CONNECTED TO CAPACITOR	.25 [[6.4] 英寸]
白	CONNECTED TO CAPACITOR	.25 [[6.4] 英寸]
红	14.0/16.0 [356/406]	
蓝	14.0/16.0 [356/406]	
黑	14.0/16.0 [356/406]	
白	14.0/16.0 [356/406]	
颜色	长度	端子或剥线长度



名称: MODEL-RFHP-42FR OUTLINE  
 图幅: C 图号: DE2F7110  
 比例: NONE 页号: 1

4

3

2

1