

4

3

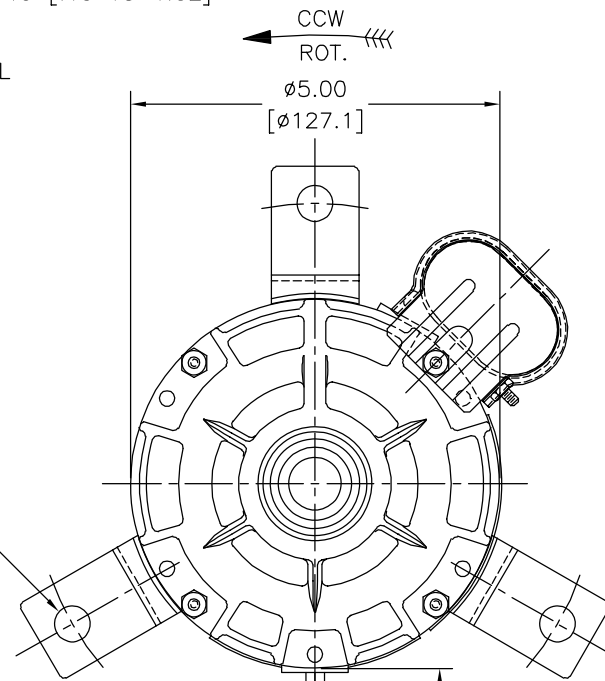
2

1

GENERAL INFORMATION:

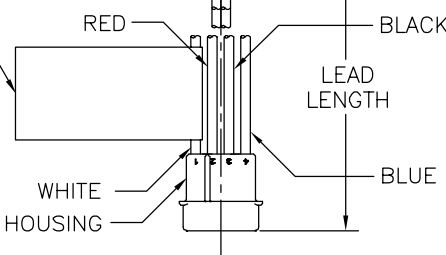
SHAFT RUNOUT: .001 [.025] T.I.R. PER INCH LENGTH OF EXTENSION
 END PLAY: .005 TO .040 [.13 TO 1.02]
 BEARINGS: SLEEVE
 MOUNTING POSITION: HORIZONTAL

REV	ECO	REV BY	DATE	APPD	DATE
C	0029015	E.SINECIO	10-17-2012	G.ALVIDREZ	10-17-2012



3X ϕ .50 [ϕ 12.7] ON A
 ϕ 7.59 [ϕ 192.8] B.C.

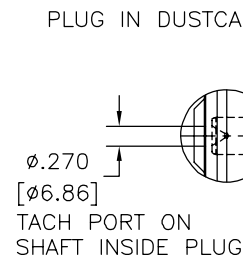
ATTACH CONNECTION LABEL TO COMMON (WHITE) LEAD APPROX. 2.0 [51] FROM MOTOR



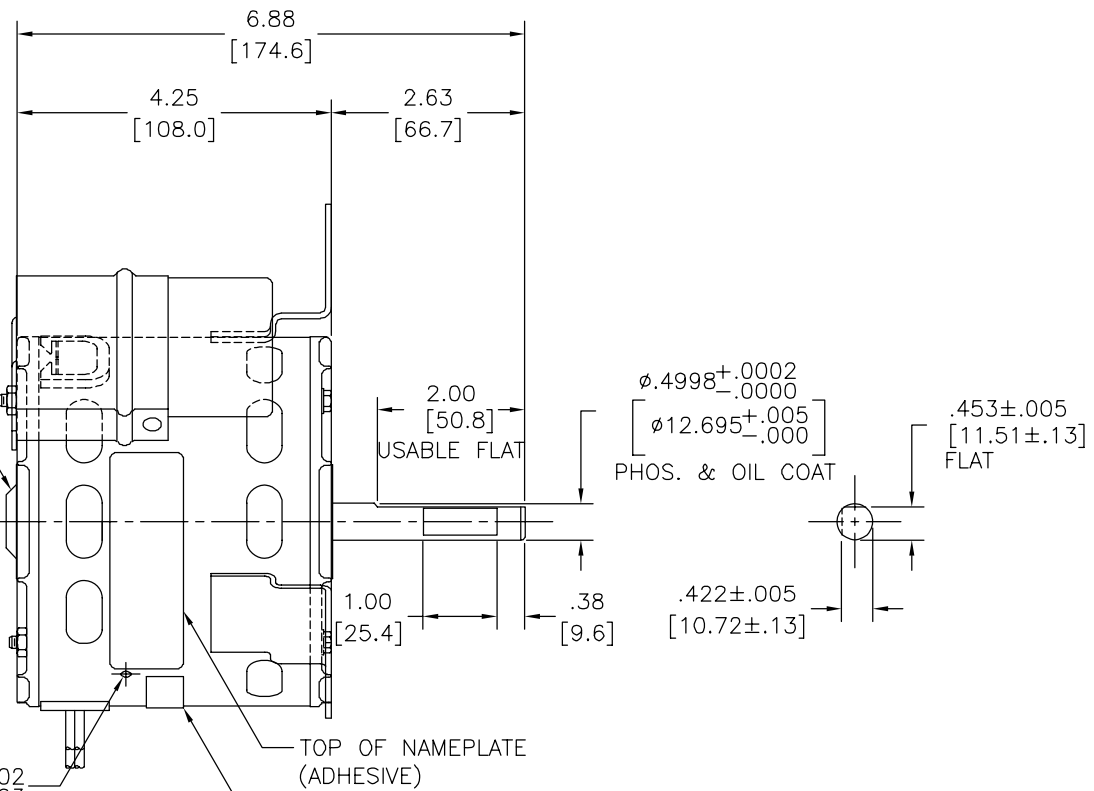
ELECTRICAL DATA:

OVERLOAD PROTECTOR: AUTOMATIC RESET (T.I. 7AM 093)
 LEADS: NO. 18 GA., .03 [.8] THK. XLP 125°C INSUL.

MAIN FRAME - OLE	OPEN
END FRAME - OLE	OPEN
MAIN FRAME - LE	OPEN
END FRAME - LE	OPEN
ENCLOSURE	



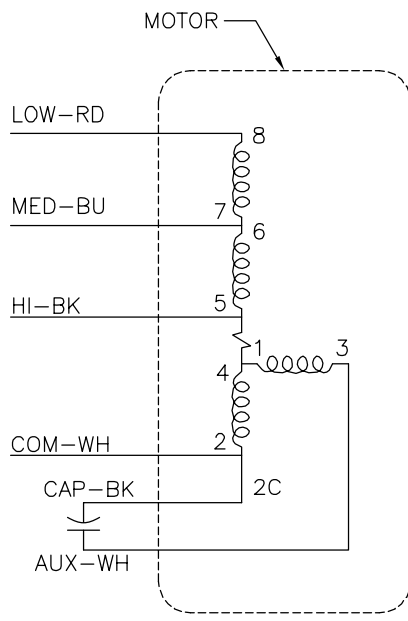
2X ϕ .136^{+0.002}/_{-.003}
 ϕ 3.45^{+0.05}/_{-.08}
 ** THRU FOR CONDUIT BOX (CUSTOMERS USE)



** WARNING: USING SCREWS EXCEEDING .25 [6.4] IN LENGTH COULD RESULT IN MOTOR FAILURE AND/OR ELECTRICAL SHOCK OF OPERATOR AND VOIDS A.O. SMITH OF ALL LIABILITY AND CLAIMS.

BLACK	CONNECTED TO CAPACITOR	.25 [6.4] FLAG
WHITE	CONNECTED TO CAPACITOR	.25 [6.4] FLAG
RED	14.0/16.0 [356/406]	AMP PIN TERMINAL #61118-1
BLUE	14.0/16.0 [356/406]	AMP PIN TERMINAL #61118-1
BLACK	14.0/16.0 [356/406]	AMP PIN TERMINAL #61118-1
WHITE	14.0/16.0 [356/406]	AMP PIN TERMINAL #61118-1
COLOR	LENGTH	TERMINAL OR STRIP LENGTH
LEAD DATA		

SCHEMATIC -21



NAMEPLATE DATA:

Century TIPP CITY, OHIO THERMALLY PROTECTED

SER. DATE & PO# PLT LTR MOD DE2F108N' CAT. NO. OPV748
 VOLTS 115 HZ 60 AMPS 2.1/1.9/1.4
 RPM 1550/1300/1050 SP 3 PH 1 CAP 10 MFD/370 VAC
 INS CL B AMB 50°C HP - AO C CWLE-CWSE
 FX/DX 13RSV ASSEMBLED IN MEXICO
 R-1/6 HP, S-1/12 HP, V-1/20 HP

PERFORMANCE CURVE NO.	TORQUE @ 1550 RPM (25°C)	APPROVED SAMPLE	UL COMPONENT FILE #	CCN #	CSA FILE #	CLASS #
-	93.0 OZ. IN.	S-9968E	-	-	-	-

GEOMETRIC CHARACTERISTICS & SYMBOLS
 ▮ FLATNESS
 - STRAIGHTNESS
 < ANGLARITY
 ⊥ PERPENDICULARITY (SQUARENESS)
 // PARALLELISM
 ○ ROUNDNESS (CIRCULARITY)
 ∅ CYLINDRICITY
 △ PROFILE OF ANY SURFACE
 ∩ PROFILE OF ANY LINE
 ∠ RUNOUT
 ⊕ TRUE POSITION
 ⊙ CONCENTRICITY
 = SYMMETRY
 ASME Y14.5M 1994

REGAL-BELOIT CORPORATION (RBC) PROVIDES TECHNICAL ASSISTANCE TO OUR CUSTOMERS IN SEVERAL AREAS. SINCE RBC DOES NOT RECEIVE ALL DATA CONCERNING THE USE AND APPLICATION OF THE MOTOR, THE SUITABILITY OF THE MOTOR FOR THE APPLICATION MUST BE DETERMINED BY THE CUSTOMER.

DIMENSIONS WITHOUT TOLERANCES ARE FOR REFERENCE ONLY.

DR BY: J.RUPERT 10-20-2009
 APPD: T.RILEY 10-20-2009
 THIRD ANGLE PROJECTION
 EDS DATE 11-11-2011
 FORMAT REV H
 CONFIDENTIAL: THIS DRAWING AND ITS INFORMATION ARE THE EXCLUSIVE AND CONFIDENTIAL PROPERTY OF REGAL-BELOIT CORPORATION AND ARE NOT TO BE DISCLOSED, DUPLICATED, DISTRIBUTED OR OTHERWISE USED WITHOUT THE WRITTEN CONSENT OF REGAL-BELOIT CORPORATION. -ALL RIGHTS RESERVED.



DESCRIPTION: MODEL-RFHP-42FR OUTLINE
 SIZE: C DWG NO: DE2F7108
 SCALE: NONE SHEET: 1

4

3

2

1

4

3

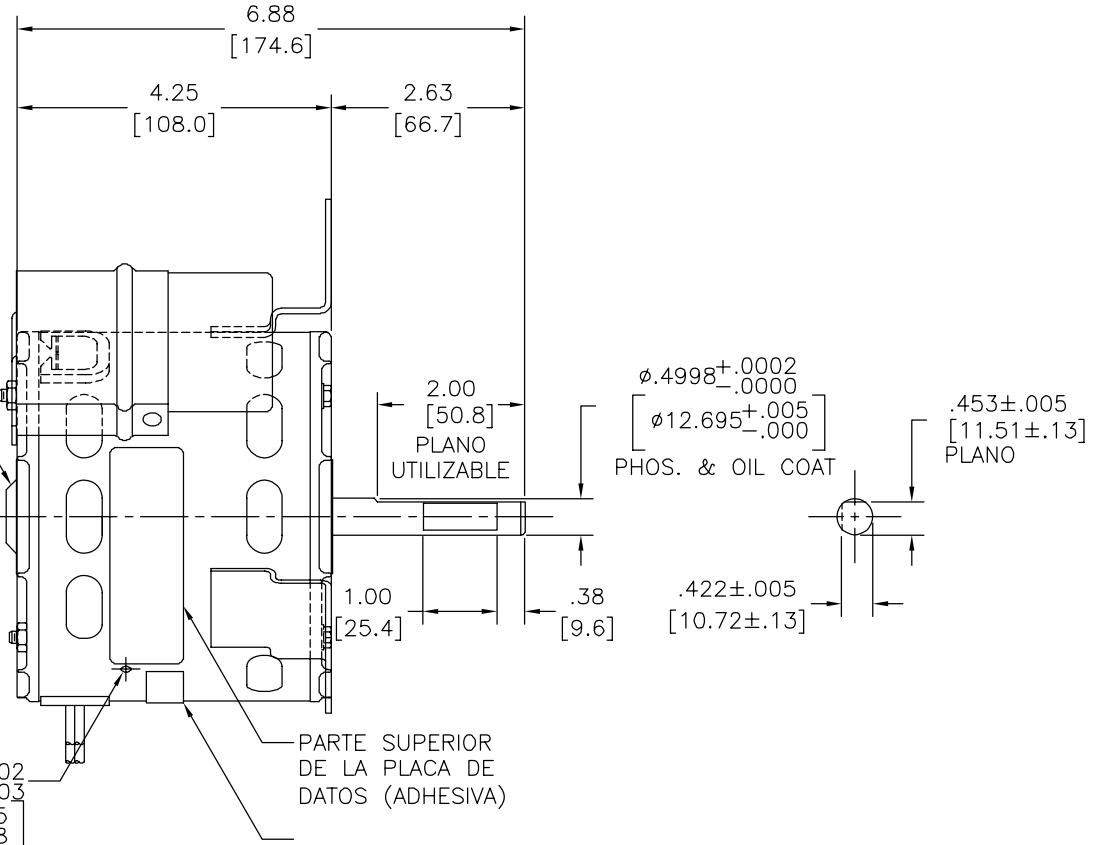
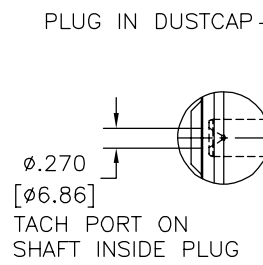
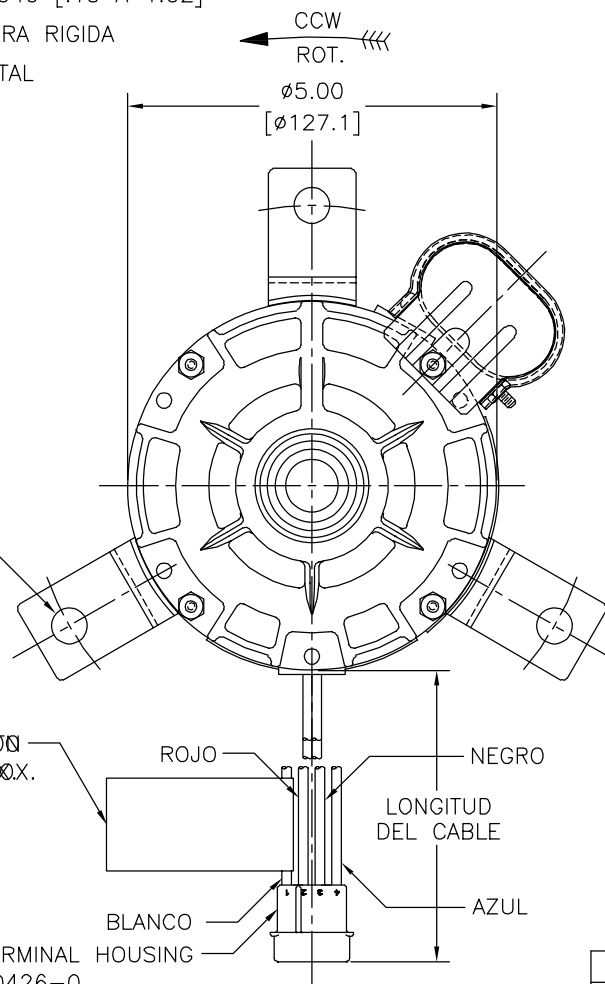
2

1

INFORMACION GENERAL:

OSCILACION DE FLECHA: .001 [.03] T.I.R. PER INCH LENGTH OF EXTENSION
 JUEGO AXIAL: .005 A .040 [.13 A 1.02]
 BALEROS: CHUMACERA RIGIDA
 POSICION DEL MONTAJE: HORIZONTAL

REVISION:	ECO	REVISADO POR:	FECHA:	APROBADO POR:	FECHA:
C	0029015	E.SINECIO	10-17-2012	G.ALVIDREZ	10-17-2012



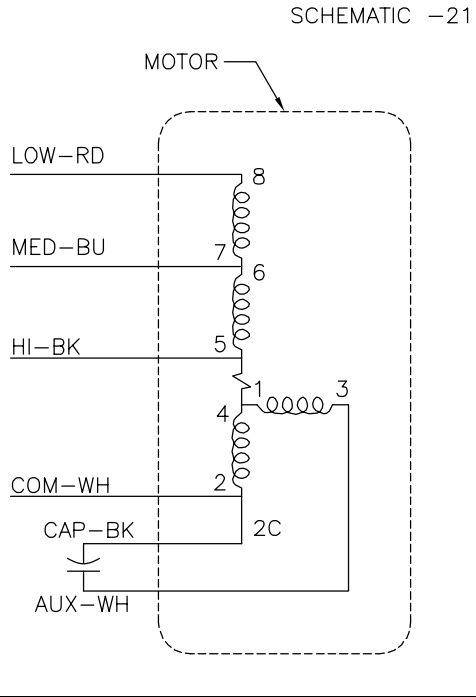
ETIQUETAS DE IDENTIFICACION SON APLICADAS AL PLOMO (BLANCO) WHITE MILBADA APPROX. 2.0 [51.2] DE 15 M OF FROM (NO ESVA)

INFORMACION ELECTRICA:

PROTECTOR DE SOBRECARGA: REINICIO AUTOMATIC (T.I. 7AM 093)
 CABLES: NO. 18 GA., .03 [.8] THK. XLP 125°C AISLAM.

CARCASA - LOC	ABIERTA
TAPA - LOC	ABIERTA
CARCASA - LC	ABIERTA
TAPA - LC	ABIERTA
TIPO DE MOTOR	

** WARNING: USING SCREWS EXCEEDING .25 [6.4] IN LENGTH COULD RESULT IN MOTOR FAILURE AND/OR ELECTRICAL SHOCK OF OPERATOR AND VOIDS A.O. SMITH OF ALL LIABILITY AND CLAIMS.



NAMEPLATE DATA:

Century TIPP CITY, OHIO THERMALLY PROTECTED

SER. DATE & PO# PLT LTR MOD DE2F108N' CAT. NO. OPV748
 VOLTS 115 HZ 60 AMPS 2.1/1.9/1.4
 RPM 1550/1300/1050 SP 3 PH 1 CAP 10 MFD/370 VAC
 INS CL B AMB 50°C HP - AO CCWLE-CWSE
 FX/DX 13RSV ASSEMBLED IN MEXICO
 R-1/6 HP, S-1/12 HP, V-1/20 HP

CURVAS DE FUNCIONAMIENTO	TORSION @ 1550 RPM (25°C)	MUESTRA APROBADA	COMPONENTE UL	CSA
-	93.0 OZ. IN.	S-9968E	-	-

NEGRO	CONECTADO A ALCA PARA MOTOR	.25 [6.4] BANDERA
BLANCO	CONECTADO A ALCA PARA MOTOR	.25 [6.4] BANDERA
ROJO	14.0/16.0 [356/406]	
AZUL	14.0/16.0 [356/406]	
NEGRO	14.0/16.0 [356/406]	
BLANCO	14.0/16.0 [356/406]	
COLOR	LONGITUD	TERMINAL O LONGITUD DE DESFORRE

INFORMACION DE CABLES

CARACTERISTICAS DE GEOMETRIA Y SIMBOLOS
 □ PLANICIDAD
 - RECTITUD
 < ANGULARIDAD
 ⊥ PERPENDICULARIDAD (A ESCUADRA)
 // PARALELISMO
 ○ REDONDEZ (CIRCULARIDAD)
 ∅ CILINDRICIDAD
 △ PERFIL DE CUALQUIER SUPERFICIE
 ∩ PERFIL DE CUALQUIER LINEA
 / VARIACION
 ⊕ POSICION REAL
 ⊙ CONCENTRICIDAD
 = SIMETRIA
 ASME Y14.5M 1994

REGAL-BELOIT CORPORATION (RBC) PROVEE ASISTENCIA TECNICA A NUESTROS CLIENTES EN VARIAS AREAS. DESDE QUE RBC NO RECIBE TODOS LOS DATOS EN RELACION AL USO Y A LA APLICACION DEL MOTOR, LA APLICACION ADECUADA DEL MOTOR DEBE SER DETERMINADA POR EL CLIENTE.

DIMENSIONES SIN TOLERANCIA SON DE REFERENCIA SOLAMENTE

DIBUJADO POR: J.RUPERT 10-20-2009
 APROBADO POR: T.RILEY 10-20-2009
 TERCER ANGULO DE PROYECCION
 FECHA EDS: 11-11-2011
 REV. FORMATO: H
 CONFIDENCIAL: ESTE DIBUJO Y SU INFORMACION SON PROPIEDAD DE USO EXCLUSIVO Y CONFIDENCIAL DE REGAL-BELOIT CORPORATION. Y NO DEBERAN SER REVELADOS, DUPLICADOS, DISTRIBUIDOS O USARSE DE OTRA MANERA SIN EL CONSENTIMIENTO ESCRITO DE REGAL-BELOIT CORPORATION. -TODOS LOS DERECHOS RESERVADOS.

REGAL REGAL-BELOIT CORPORATION

DESCRIPCION: MODEL-RFHP-42FR OUTLINE

TAMAÑO: C NUMERO DE DIBUJO: DE2F7108

ESCALA: NONE HOJA: 1

4

3

2

1

4

3

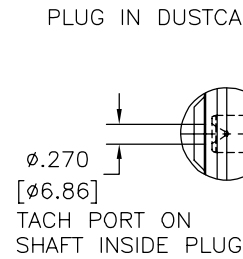
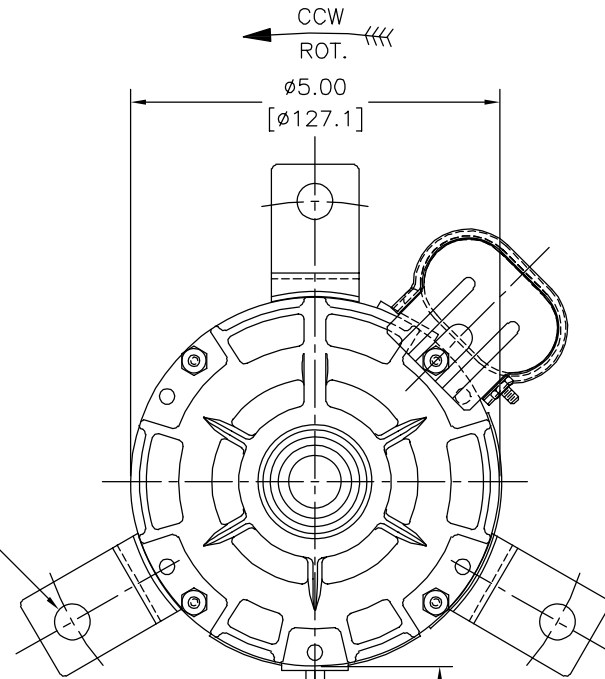
2

1

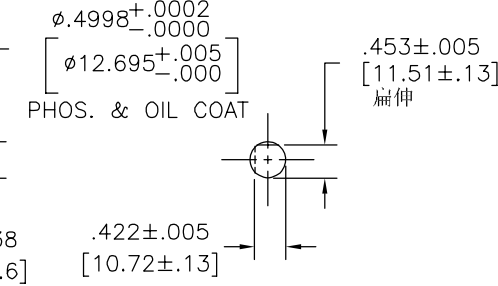
总技术要求:

轴跳动: .001 [.03] / 1 [25.4] 外伸轴
 端部窜动量: .005 到 .040 [.13 到 1.02]
 轴承: 含油轴承
 安装位置: 水平

版本	ECO	编制	日期	批准	日期
C	0029015	E.SINECIO	10-17-2012	G.ALVIDREZ	10-17-2012

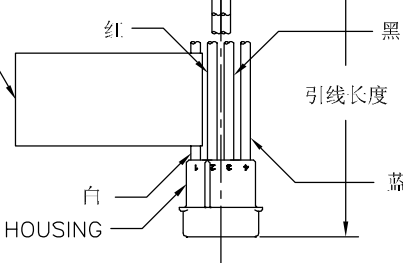


2X $\phi .136^{+.002}_{-.003}$ [$\phi 3.45^{+.05}_{-.08}$]
 ** THRU FOR CONDUIT BOX (CUSTOMERS USE)



3X $\phi .50$ [$\phi 12.7$] ON A
 $\phi 7.59$ [$\phi 192.8$] B.C.

ATTACH CONNECTION LEADS TO COMMON (W/TH) LEAD APPROX. 2.0 [51] FROM MOTOR

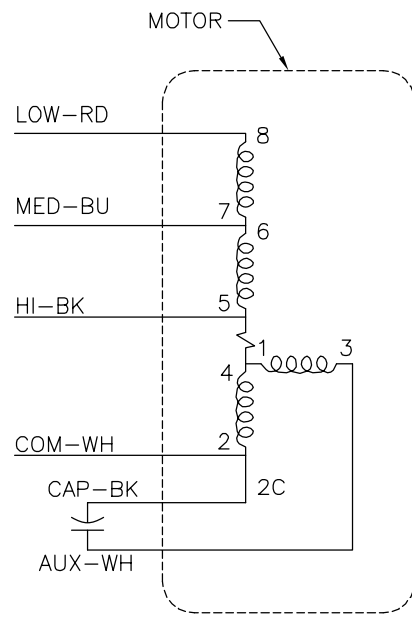


电气数据: AMP TERMINAL HOUSING #1-480426-0
 过载保护: 自动复位 (T.I. 7AM 093)
 引线: 18# (美制标准), 厚.03 [.8] XLP 125° C 绝缘

无引线端机壳	开放
无引线端端盖	开放
有引线端机壳	开放
有引线端端盖	开放
密封性	

** WARNING:
 USING SCREWS EXCEEDING .25 [6.4] IN LENGTH COULD RESULT IN MOTOR FAILURE AND/OR ELECTRICAL SHOCK OF OPERATOR AND VOIDS A.O. SMITH OF ALL LIABILITY AND CLAIMS.

SCHEMATIC -21



NAMEPLATE DATA:

Century TIPP CITY, OHIO THERMALLY PROTECTED
 SER. DATE & PO# PLT LTR MOD DE2F108N' CAT. NO. OPV748
 VOLTS 115 HZ 60 AMPS 2.1/1.9/1.4
 RPM 1550/1300/1050 SP 3 PH 1 CAP 10 MFD/370 VAC
 INS CL B AMB 50°C HP - AO CCWLE-CWSE
 FX/DX 13RSV ASSEMBLED IN MEXICO
 R-1/6 HP, S-1/12 HP, V-1/20 HP

性能曲线编号	转矩在 @ 1550 RPM (25° C)	批准样品	UL 部件		CSA	
			文件号	指南	文件号	指南
-	93.0 OZ. IN.	S-9968E	-	-	-	-

- 形位公差
- 平面度
- 直线度
- ∠ 倾斜度
- ⊥ 垂直度
- // 平行度
- 圆度
- ⊘ 圆柱度
- ⊙ 面轮廓度
- △ 线轮廓度
- ⌒ 圆跳动
- ⊕ 位置度
- ⊙ 同轴度
- ≡ 对称度

ASME Y14.5M 1994

REGAL-BELOIT CORPORATION (RBC) 在个别领域为客户提供技术支持。鉴于RBC未收到任何涉及电机使用和应用环境的数据, 电机的适用性由客户自己决定。

未注公差尺寸仅供参考。

绘图: J.RUPERT 10-20-2009
 批准: T.RILEY 10-20-2009
 第三角投影
 名称: REGAL-BELOIT CORPORATION
 图幅: C 图号: DE2F7108
 比例: NONE 页号: 1

黑	CONNECTED TO CAPACITOR	.25 [[6.4] 英寸]
白	CONNECTED TO CAPACITOR	.25 [[6.4] 英寸]
红	14.0/16.0 [356/406]	
蓝	14.0/16.0 [356/406]	
黑	14.0/16.0 [356/406]	
白	14.0/16.0 [356/406]	
颜色	长度	端子或剥线长度

REGAL REGAL-BELOIT CORPORATION

MODEL-RFHP-42FR
 OUTLINE

图幅: C 图号: DE2F7108
 比例: NONE 页号: 1

4

3

2

1