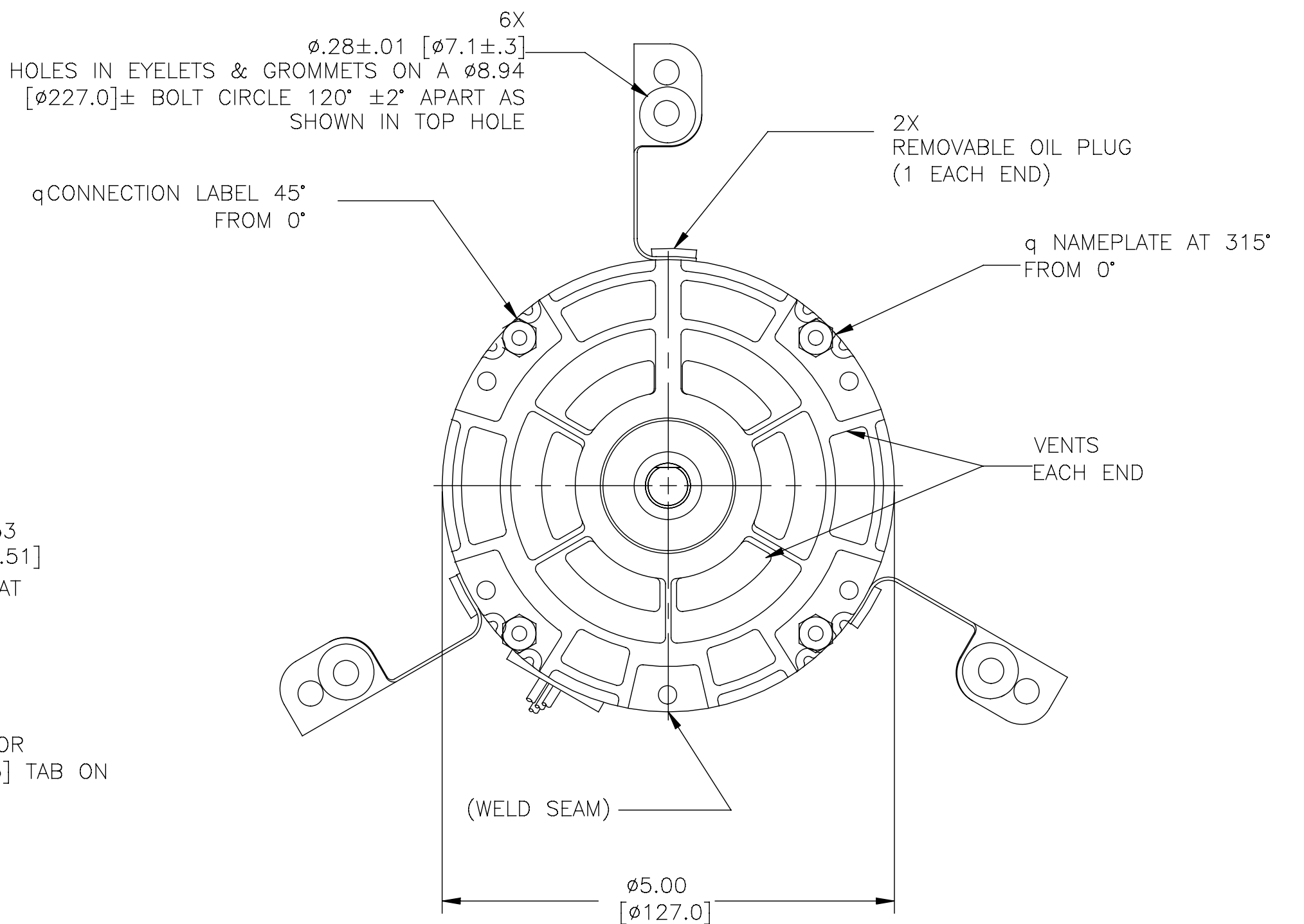
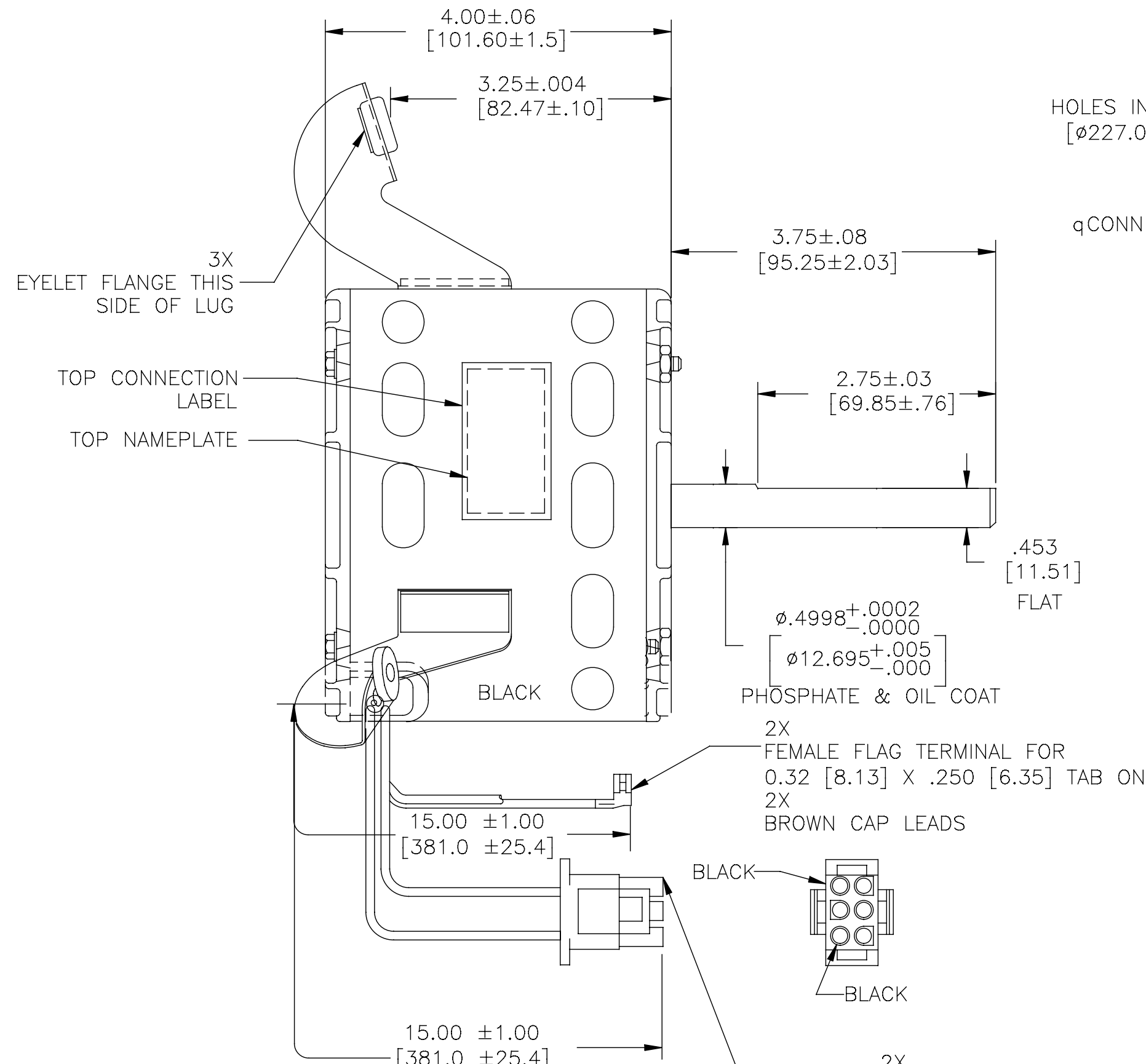
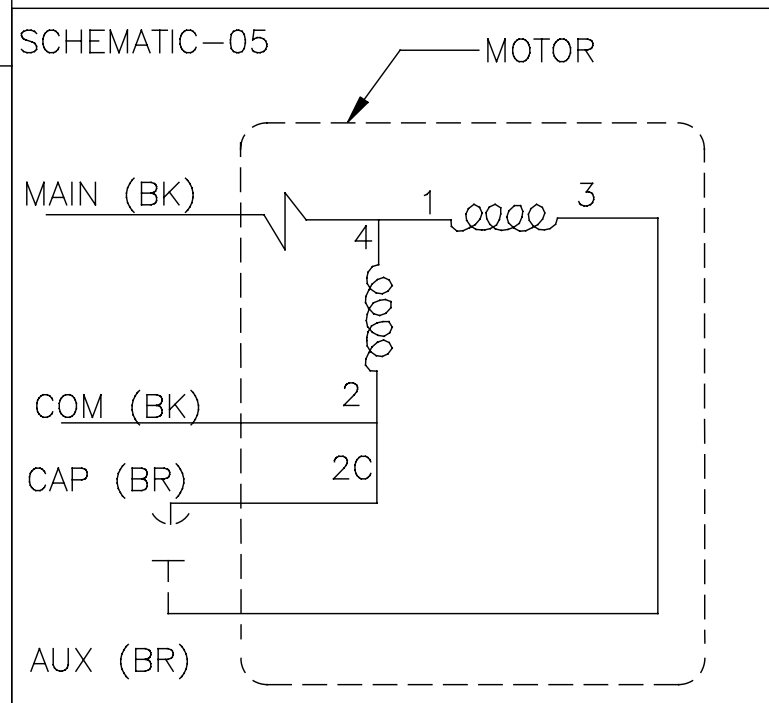


CUSTOMER IS SOLELY RESPONSIBLE FOR MOTOR PERFORMANCE AND SUITABILITY IN APPLICATIONS FOR CUSTOMER'S USES.

END PLAY .005 [.13] MINIMUM- .040 [1.02] MAXIMUM  
 MAXIMUM SHAFT RUN OUT .001[.03] PER INCH  
 MAXIMUM RUN OUT NOT TO EXCEED .010 [.25]



CONNECTION LABEL  
 10004653-001-001  
 AFTERMARKET STOCK NO.942



ELECTRICALLY PER S9316E

ROT: CCWLE  
 NAMEPLATE DATA:  
**Century** Tipp City, OH THERMALLY PROTECTED  
 SER.DATE & PO# PLT LTR MOD DE3H029N' STK NO. 942  
 VOLTS 115 HZ 60 AMPS 6.2  
 RPM 1050 SP PH1 CAP7.5MFD 370VAC  
 INS CL B AMB 40°C HP 1/4 CONT AO  
 BRG SLV ASSEMBLED IN MEXICO

DRAWING REVISION F	REVISION BY C.ZHOU	DATE 10-27-2015	TOLERANCES UNLESS OTHERWISE SPECIFIED DEC. INCH mm ANGLE .XX ±0.1 [±2.5] ±0.5° .XX ±0.02 [±0.51] .XXX ±0.005 [±0.127] .XXXX ±0.0005 [±0.0127]	DRAWN BY: TLB	<b>REGAL</b> Regal Beloit America, Inc.
ECO ECO-0087749	APPROVED BY C.ZHANG	DATE 10-27-2015	REMOVE BURRS & BREAK SHARP EDGES .003/.015 [0.076/.381] CORNER FILLETS .02 [51] MACHINED SURFACES 125/3.2 INCH/mm	DATE: 12-02-2012	
ECO DESCRIPTION @ZONE B1 CHANGE CONN LB TO 10004653-001-001			APPROVED BY: DRB	DATE:	DESCRIPTION MODEL-RFHP-42FR OUTLINE
COPYRIGHT REGAL BELOIT AMERICA, INC. ALL RIGHTS RESERVED. PROPRIETARY AND CONFIDENTIAL INFORMATION - THIS DOCUMENT IS THE PROPERTY OF REGAL BELOIT AMERICA, INC. (OWNER) AND CONTAINS OWNER'S PROPRIETARY INFORMATION. ANY PERSON, CORPORATION OR OTHER FIRM RECEIVING IT IS DEEMED, BY RECEIVING IT, TO AGREE THAT IT, AND/OR ANY PART OF IT, SHALL NOT BE DISCLOSED TO ANY PERSON, CORPORATION OR OTHER ENTITY, DUPLICATED, AND/OR USED, EXCEPT AS EXPRESSLY APPROVED IN WRITING IN ADVANCE BY OWNER. THIS DOCUMENT SHALL BE RETURNED TO OWNER UPON REQUEST. IT MAY BE SUBJECT TO CERTAIN RESTRICTIONS UNDER APPLICABLE EXPORT CONTROL LAWS AND REGULATIONS.			REFERENCE	MATERIAL	PROCESS/FINISH
			THIRD ANGLE PROJECTION	SIZE DWG NO C DE3H7029	SHEET 1