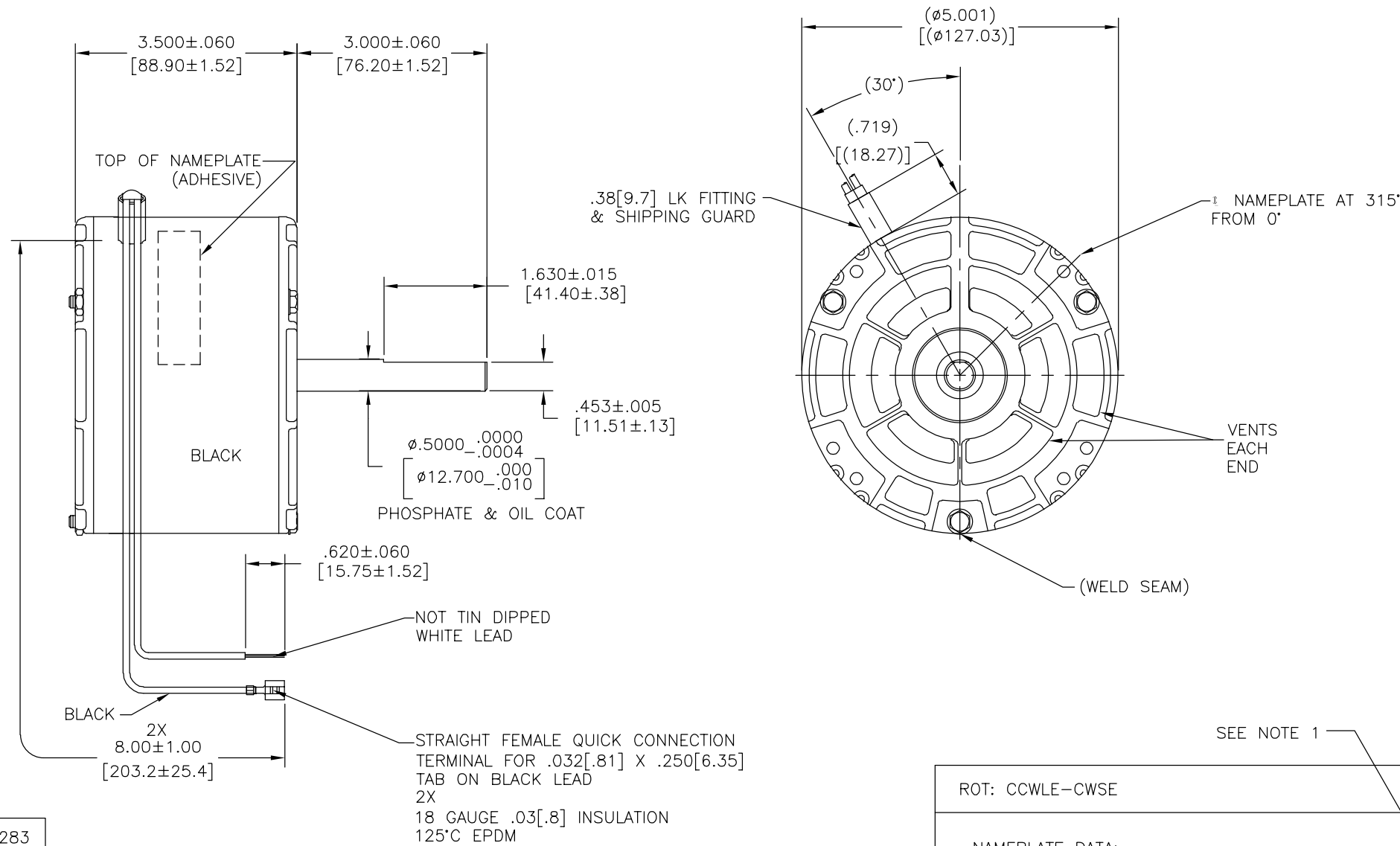
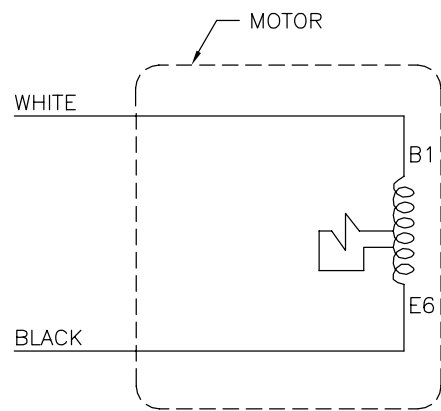


CUSTOMER IS SOLELY RESPONSIBLE FOR MOTOR PERFORMANCE AND SUITABILITY IN APPLICATIONS FOR CUSTOMER'S USES.

END PLAY .005[.13] MINIMUM - .040[1.02] MAXIMUM
 MAXIMUM SHAFT RUN OUT .001[.03] PER INCH
 MAXIMUM RUN OUT NOT TO EXCEED .0075[.191]



SCHEMATIC-283



NOTE:
 1. DISTRIBUTION PART NUMBER: OBR40086
 GRAINGER PART NUMBER: 4VA24

REGAL-BELOIT CORPORATION (RBC) PROVIDES TECHNICAL ASSISTANCE TO OUR CUSTOMERS IN SEVERAL AREAS. SINCE RBC DOES NOT RECEIVE ALL DATA CONCERNING THE USE AND APPLICATION OF THE MOTOR, THE SUITABILITY OF THE MOTOR FOR THE APPLICATION MUST BE DETERMINED BY THE CUSTOMER.

DIMENSIONS WITHOUT TOLERANCES ARE FOR REFERENCE ONLY.

DRAWING REVISION	REVISION BY	DATE
A	R.ZHOU	12-18-2014
ECO	APPROVED BY	DATE
0067208	C.ZHANG	12-18-2014
ECO DESCRIPTION		
SEE ECO		
<small>COPYRIGHT REGAL-BELOIT AMERICA, INC. ALL RIGHTS RESERVED. PROPRIETARY AND CONFIDENTIAL INFORMATION - THIS DOCUMENT IS THE PROPERTY OF REGAL-BELOIT AMERICA, INC. (OWNER) AND CONTAINS OWNER'S PROPRIETARY INFORMATION. ANY PERSON, CORPORATION OR OTHER FIRM RECEIVING IT IS DEEMED, BY RECEIVING IT, TO AGREE THAT IT, AND/OR ANY PART OF IT, SHALL NOT BE DISCLOSED TO ANY PERSON, CORPORATION OR OTHER ENTITY, DUPLICATED, AND/OR USED, EXCEPT AS EXPRESSLY APPROVED IN WRITING IN ADVANCE BY OWNER. THIS DOCUMENT SHALL BE RETURNED TO OWNER UPON REQUEST. IT MAY BE SUBJECT TO CERTAIN RESTRICTIONS UNDER APPLICABLE EXPORT CONTROL LAWS AND REGULATIONS.</small>		

ROT: CCWLE-CWSE

NAMEPLATE DATA:



SER. DATE & PO# PLT LTR MOD DA3E294N" []
 VOLTS 115 HZ 60 AMPS 3.7
 RPM 1000 SP PH 1 CAP
 INS CL B AMB 40°C HP 1/12 CONT A.O. ← ROTATION →
 BRG SLV ASSEMBLED IN MEXICO

ELECTRICALLY PER
 SAMPLE 0443185B
 CURVE# 32421

REGAL Regal Beloit America, Inc.

MODEL-RFHP-42FR
 OUTLINE

MATERIAL - PROCESS/FINISH -

SIZE DWG NO OBR40086 SHEET 1

THIRD ANGLE PROJECTION