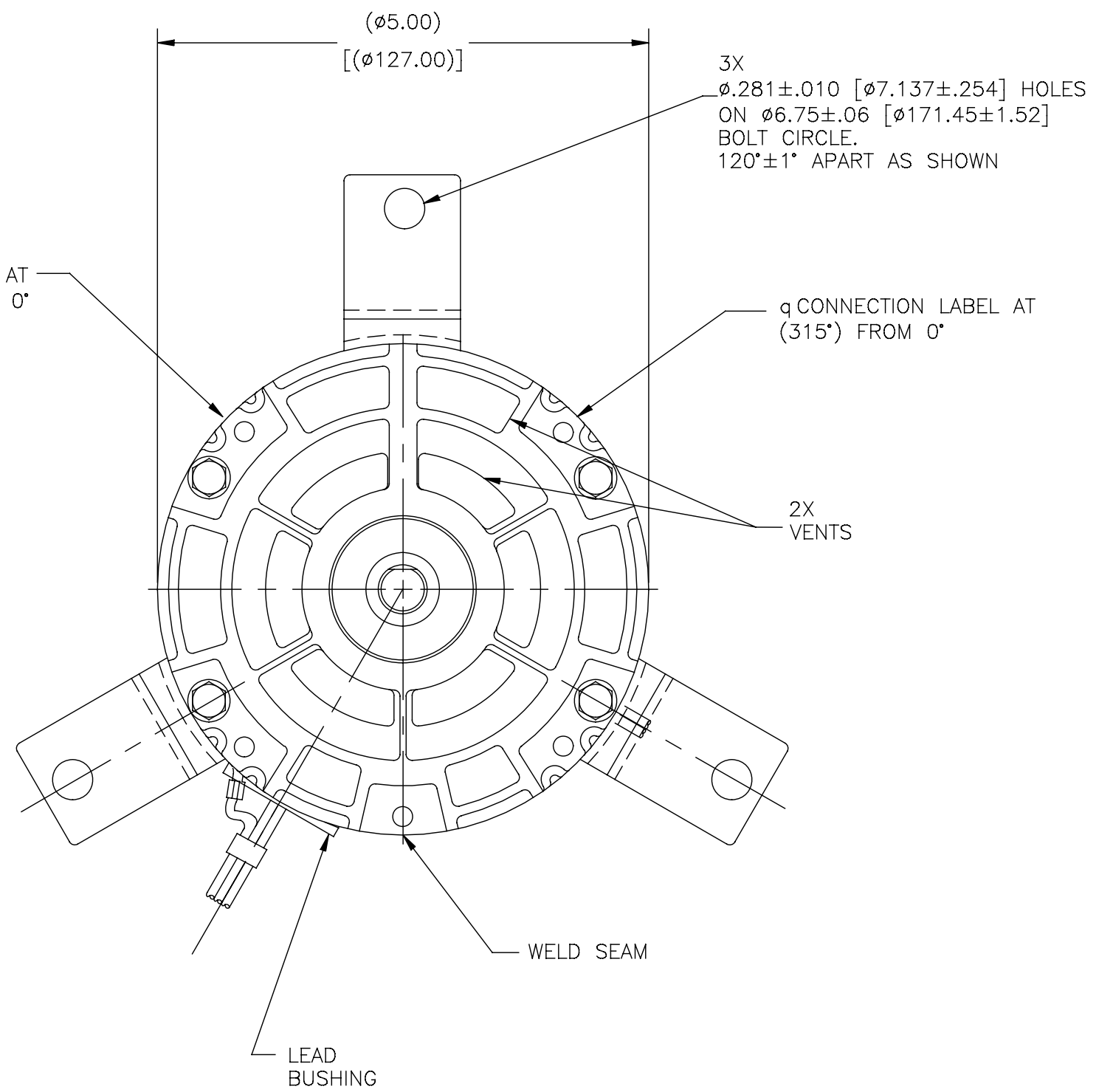
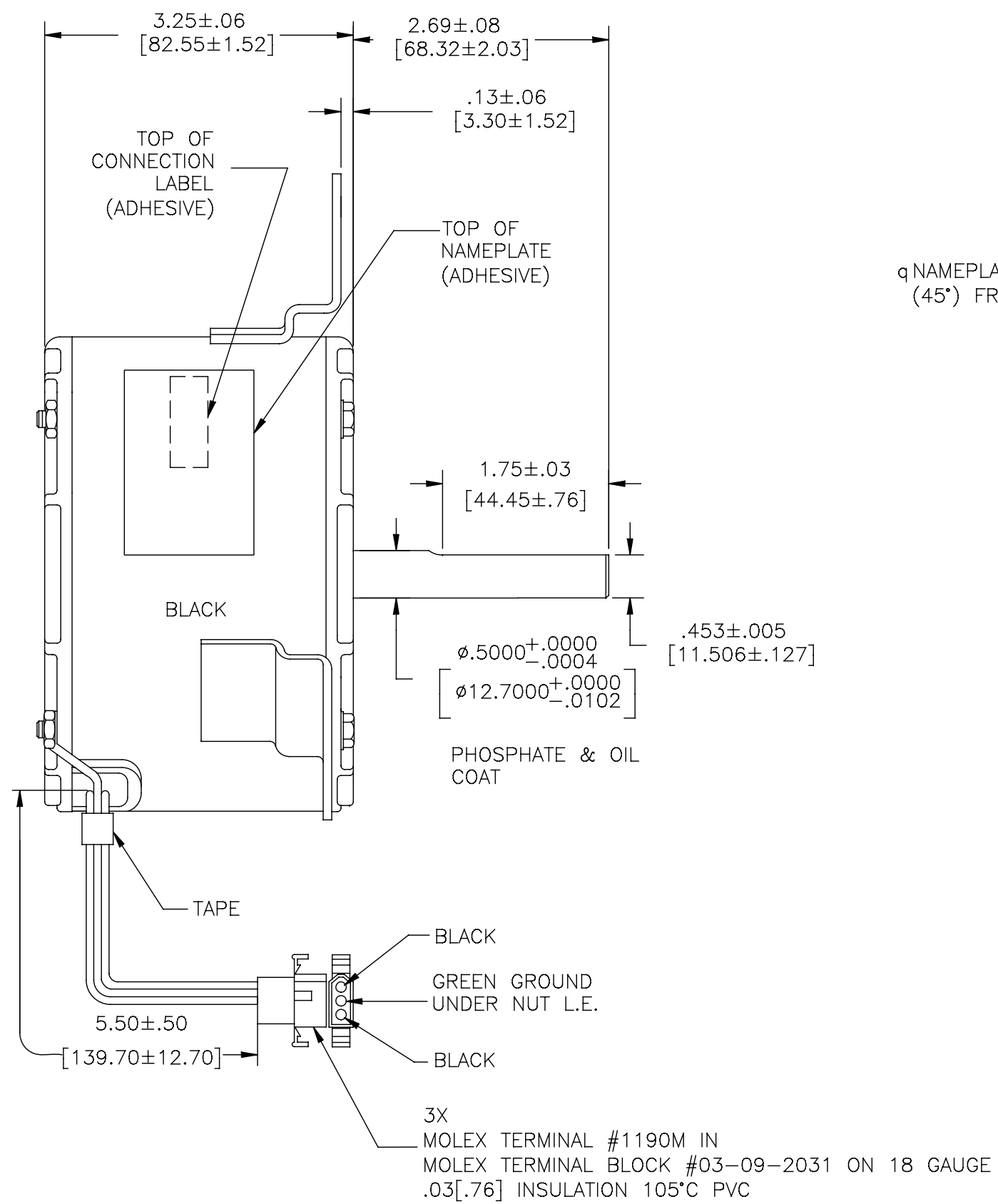
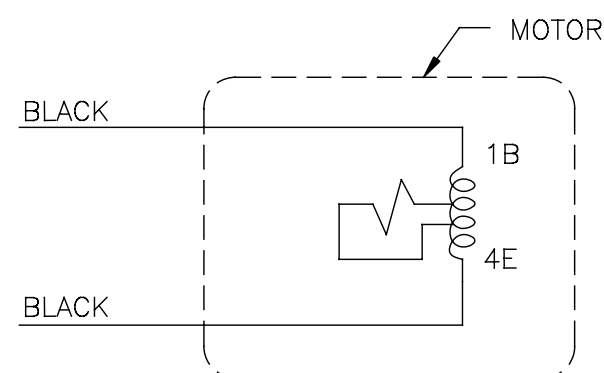


CUSTOMER IS SOLELY RESPONSIBLE FOR MOTOR PERFORMANCE AND SUITABILITY IN APPLICATIONS FOR CUSTOMER'S USES.



- NOTES:
 1. ENDPLAY .005[.127] MINIMUM - .040[1.016] MAXIMUM
 2. MAXIMUM SHAFT RUN OUT .001[.025] PER INCH
 3. MAXIMUM RUN OUT NOT TO EXCEED .0075[.1905]



SCHEMATIC-283

ELECTRICALLY PER SAMPLE 0442380B CURVE #32266

ROTATION:	CCWLE
CONNECTION LABEL:	63T7432-300

NAMEPLATE DATA:



Tipp City, OHIO
THERMALLY PROTECTED



SER. DATE & P0# PLT LTR MTR MOD DA3E292N" STK NO. 9649
 VOLTS 115 HZ 60 AMPS 2.9
 RPM1050 SP PH1 CAP ROT
 INS CLB AMB40°C HP 1/12 AIR OVER
 BRG SLV ASSEMBLED IN MEXICO

DRAWING REVISION D	REVISION BY J.CHAH	DATE 12-07-2015	TOLERANCES UNLESS OTHERWISE SPECIFIED DEC. INCH mm ANGLE	DRAWN BY: G.ALVIDREZ
ECO ECO-0089818	APPROVED BY C.ZHANG	DATE 12-07-2015	.XX ±0.02 [±0.51] .XXX ±0.005 [±0.127] .XXXX ±0.0005 [±0.0127]	DATE: 06-18-2011
ECO DESCRIPTION SEE ECO	COPYRIGHT REGAL BELOIT AMERICA, INC. ALL RIGHTS RESERVED. PROPRIETARY AND CONFIDENTIAL INFORMATION - THIS DOCUMENT IS THE PROPERTY OF REGAL BELOIT AMERICA, INC. (OWNER) AND CONTAINS OWNER'S PROPRIETARY INFORMATION. ANY PERSON, CORPORATION OR OTHER FIRM RECEIVING IT IS DEEMED, BY RECEIVING IT, TO AGREE THAT IT, AND/OR ANY PART OF IT, SHALL NOT BE DISCLOSED TO ANY PERSON, CORPORATION OR OTHER ENTITY, DUPLICATED, AND/OR USED, EXCEPT AS EXPRESSLY APPROVED IN WRITING IN ADVANCE BY OWNER. THIS DOCUMENT SHALL BE RETURNED TO OWNER UPON REQUEST. IT MAY BE SUBJECT TO CERTAIN RESTRICTIONS UNDER APPLICABLE EXPORT CONTROL LAWS AND REGULATIONS.		REMOVE BURRS & BREAK SHARP EDGES .003[.015] [0.076[.381] CORNER FILLETS .02 [51] MACHINED SURFACES 125/3.2 INCH/mm	APPROVED BY: R.GONZALEZ
			THIRD ANGLE PROJECTION	DESCRIPTION MODEL-RFHP-42FR OUTLINE
			SIZE DWG NO C 9649	PROCESS/FINISH
			SHEET 1	

REGAL™ Regal Beloit America, Inc.

MODEL-RFHP-42FR
OUTLINE

THIRD ANGLE PROJECTION