

4

3

2

1

| REV | ECO | REV BY | DATE | APPD | DATE |
|-----|---------|--------|------------|--------|------------|
| B | 0024331 | A.CHEN | 03-13-2012 | B.SHEN | 03-13-2012 |

GENERAL INFORMATION:

SHAFT RUNOUT: .001[.03] T.I.R. PER INCH LENGTH OF EXTENSION.

BEARINGS: BALL

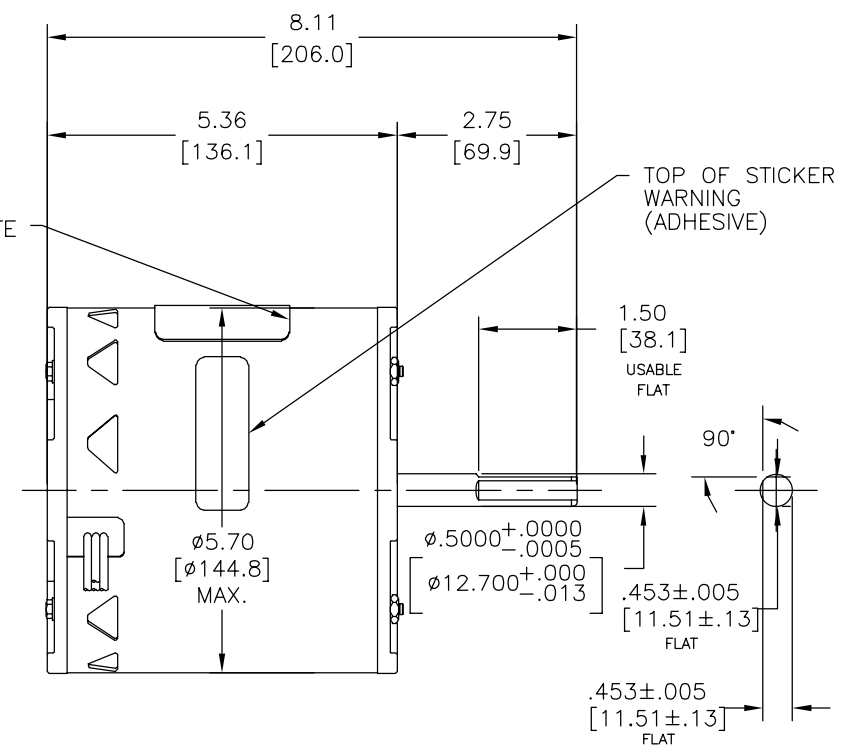
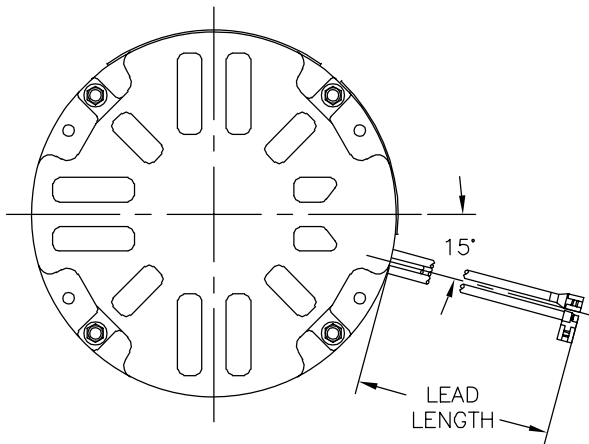
MOUNTING POSITION: VERTICAL SHAFT UP

ELECTRICAL DATA:

OVERLOAD PROTECTOR: AUTOMATIC RESET (T.I. 7AM 036)

LEADS: NO. 18 GA., .06[1.5] THK. PVC 105°C INSUL.

← CCW ROT.



| NAMEPLATE DATA: | EXTERNAL CONNECTION DIAGRAM |
|--|-----------------------------|
| MODEL NO.: F48D51A01 CUST. P/N: OKB1058 HP: 1/2 ROT.: CCWLE RPM: 825 TYPE: UF FRAME: 48Y VOLTS: 230 PH: 1 AMPS: 3.0 (4.1 MAX.) HZ: 60 INS.: B AMB.: 60° C DUTY: AIR OVER CAP.: 12.5 MFD/370 V ENCL: SEMI-ENCL UL LOGO CSA LOGO THERMALLY PROTECTED | |

614131-007

| | | |
|-------------|--------------------------|--------------------------|
| BROWN/WHITE | 68.0/72.0 [1727/1829] | .25[6.4] FLAG |
| BROWN | 68.0/72.0 [1727/1829] | .25[6.4] FLAG |
| WHITE | 58.0/62.0 [1473/1575] | .25[6.4] FEMALE SPADE |
| BLACK | 58.0/62.0 [1473/1575] | .25[6.4] FEMALE SPADE |
| COLOR | LENGTH | TERMINAL OR STRIP LENGTH |

| | |
|------------------|----------|
| MAIN FRAME - OLE | ENCLOSED |
| END FRAME - OLE | OPEN |
| MAIN FRAME - LE | OPEN |
| END FRAME - LE | OPEN |

| | |
|----------|----------------------|
| CUSTOMER | DISTRIBUTION SERVICE |
|----------|----------------------|

| PERFORMANCE CURVE NO. | TORQUE @ 825 RPM (25°C) | APPROVED SAMPLE | UL COMPONENT FILE # | CCN # | CSA FILE # | CLASS # |
|-----------------------|-------------------------|-----------------|---------------------|-------|------------|---------|
| C30942 | 61.8 OZ. FT. | 92AC469A | E46412 | PRGY2 | LR43341 | 4211-01 |

GEOMETRIC CHARACTERISTICS & SYMBOLS
 □ FLATNESS
 - STRAIGHTNESS
 < ANGULARITY
 ⊥ PERPENDICULARITY (SQUARENESS)
 // PARALLELISM
 ○ ROUNDNESS (CIRCULARITY)
 ∅ CYLINDRICITY
 △ PROFILE OF ANY SURFACE
 ∩ PROFILE OF ANY LINE
 ↗ RUNOUT
 ⊕ TRUE POSITION
 ⊙ CONCENTRICITY
 = SYMMETRY
 ASME Y14.5M 1994

REGAL-BELOIT CORPORATION (RBC) PROVIDES TECHNICAL ASSISTANCE TO OUR CUSTOMERS IN SEVERAL AREAS. SINCE RBC DOES NOT RECEIVE ALL DATA CONCERNING THE USE AND APPLICATION OF THE MOTOR, THE SUITABILITY OF THE MOTOR FOR THE APPLICATION MUST BE DETERMINED BY THE CUSTOMER.
 DIMENSIONS WITHOUT TOLERANCES ARE FOR REFERENCE ONLY.

DR BY: A.CHEN 03-13-2012
 APPD: B.SHEN 03-13-2012
 EDS DATE 11-11-2011
 FORMAT REV G
 CONFIDENTIAL: THIS DRAWING AND ITS INFORMATION ARE THE EXCLUSIVE AND CONFIDENTIAL PROPERTY OF REGAL-BELOIT CORPORATION AND ARE NOT TO BE DISCLOSED, DUPLICATED, DISTRIBUTED OR OTHERWISE USED WITHOUT THE WRITTEN CONSENT OF REGAL-BELOIT CORPORATION. -ALL RIGHTS RESERVED.

REGAL-BELOIT CORPORATION
 DESCRIPTION: MODEL-RFHP-48FR OUTLINE
 SIZE: C DWG NO: OKB1058
 SCALE: NONE SHEET 1

REGAL-BELOIT CORPORATION
 MODEL-RFHP-48FR OUTLINE
 SIZE: C DWG NO: OKB1058
 SCALE: NONE SHEET 1

4

3

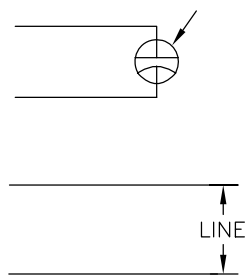
2

1

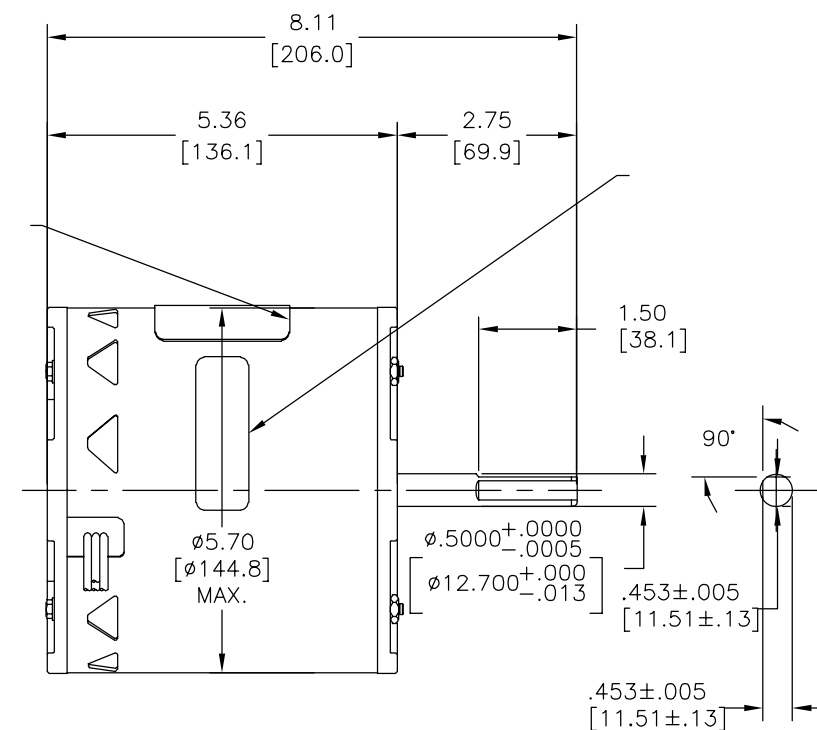
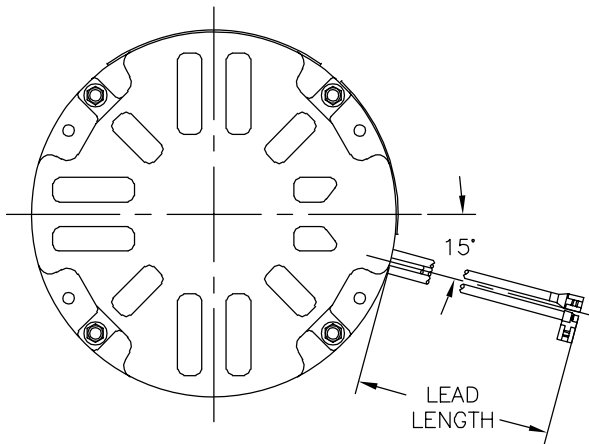
| | | | | | |
|-----------|---------|---------------|------------|---------------|------------|
| REVISION: | ECO | REVISADO POR: | FECHA: | APROBADO POR: | FECHA: |
| B | 0024331 | A.CHEN | 03-13-2012 | B.SHEN | 03-13-2012 |

INFORMACION ELECTRICA:

MODEL NO.: F48D51A01
 CUST. P/N: OKB1058
 HP: 1/2
 ROT.: CCWLE
 RPM: 825
 TYPE: UF
 FRAME: 48Y
 VOLTS: 230
 PH: 1
 AMPS: 3.0 (4.1 MAX.)
 HZ: 60
 INS.: B
 AMB.: 60° C
 DUTY: AIR OVER
 CAP.: 12.5 MFD/370 V
 ENCL: SEMI-ENCL
 UL LOGO
 CSA LOGO
 THERMALLY PROTECTED



614131-007



| | | |
|--|-------------|--|
| | 68.0/72.0 | |
| | [1727/1829] | |
| | 68.0/72.0 | |
| | [1727/1829] | |
| | 58.0/62.0 | |
| | [1473/1575] | |
| | 58.0/62.0 | |
| | [1473/1575] | |

| | |
|--|--|
| | |
| | |
| | |
| | |

DISTRIBUTION SERVICE

CARACTERISTICAS DE GEOMETRIA Y SIMBOLOS
 □ PLANICIDAD
 — RECTITUD
 < ANGULARIDAD
 ⊥ PERPENDICULARIDAD (A ESCUADRA)
 // PARALELISMO
 ○ REDONDEZ (CIRCULARIDAD)
 ∅ CILINDRICIDAD
 △ PERFIL DE CUALQUIER SUPERFICIE
 ∩ PERFIL DE CUALQUIER LINEA
 ↗ VARIACION
 ⊕ POSICION REAL
 ⊙ CONCENTRICIDAD
 = SIMETRIA
 ASME Y14.5M 1994

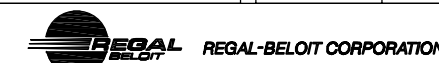
REGAL-BELOIT CORPORATION (RBC)
 PROVEE ASISTENCIA TECNICA A
 NUESTROS CLIENTES EN VARIAS AREAS.
 DESDE QUE RBC NO RECIBE TODOS
 LOS DATOS EN RELACION AL USO Y A
 LA APLICACION DEL MOTOR, LA
 APLICACION ADECUADA DEL MOTOR
 DEBE SER DETERMINADA POR EL
 CLIENTE.

DIMENSIONES SIN TOLERANCIA SON
 DE REFERENCIA SOLAMENTE

DIBUJADO POR: A.CHEN
 03-13-2012
 APROBADO POR: B.SHEN
 03-13-2012

TERCER ANGULO DE PROYECCION
 FECHA EDS: 11-11-2011
 REV. FORMATO: G

CONFIDENCIAL: ESTE DIBUJO Y SU INFORMACION SON PROPIEDAD DE USO EXCLUSIVO Y CONFIDENCIAL DE REGAL-BELOIT CORPORATION. Y NO DEBERAN SER REVELADOS, DUPLICADOS, DISTRIBUIDOS O USARSE DE OTRA MANERA SIN EL CONSENTIMIENTO ESCRITO DE REGAL-BELOIT CORPORATION. -TODOS LOS DERECHOS RESERVADOS.



DESCRIPCION: MODEL-RFHP-48FR
 OUTLINE
 TAMAÑO: C NUMERO DE DIBUJO: OKB1058
 ESCALA: NONE HOJA: 1

