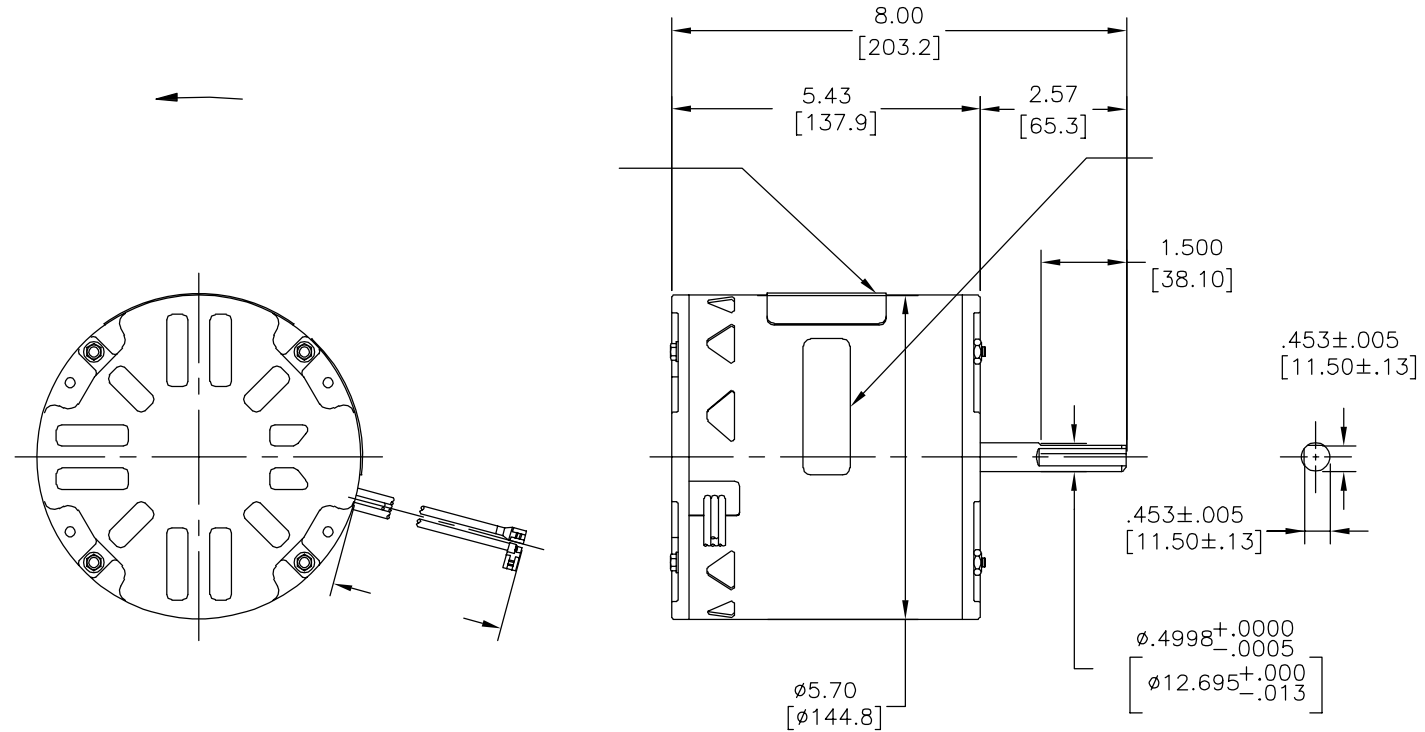


版本	ECO	编制	日期	批准	日期
A	ECO-0034278	A.RODRIGUEZ	07-08-2013	D.MUÑOZ	07-08-2013



MODEL: F48D62A01
 CUST. P/N: []
 HP: 1/3
 ROT: CCWLE
 RPM: 825
 TYPE: UF
 FRAME: 48Y
 VOLTS: 115
 PH: 1
 AMPS: 4.8 (7.0 MAX)
 HZ: 60
 INS: B
 AMB: 60 °C
 DUTY: AIR OVER
 CAP.: 5 MFD/370 V
 ENCL: SEMI-ENCL
 CSA LOGO
 UL LOGO
 THERMALLY PROTECTED

SEP. CAP.
 BROWN
 BRN/WHT
 WHITE
 BLACK
 LINE

614131-007

	43[1092]/46[1168]	.25[6.4]
	43[1092]/46[1168]	.25[6.4]
	40[1016]/43[1092]	.25[6.4]
	40[1016]/43[1092]	.25[6.4]

--	--

- 形位公差
- 平面度
 - 直线度
 - ∠ 倾斜度
 - ⊥ 垂直度
 - // 平行度
 - 圆度
 - ⊘ 圆柱度
 - ⊙ 圆跳动
 - △ 面轮廓度
 - ∩ 线轮廓度
 - ↗ 圆跳动
 - ⊕ 位置度
 - ⊙ 同轴度
 - ≡ 对称度

ASME Y14.5M 1994

REGAL-BELOIT CORPORATION (RBC) 在个别领域为客户提供技术支持。鉴于RBC未收到任何涉及电机使用和应用环境的数据，电机的适用性由客户自己决定。

未注公差尺寸仅供参考。

绘图: A.RODRIGUEZ 07-08-2013

批准:

第三角投影

机密: 本图纸及相关信息所有权归REGAL-BELOIT CORPORATION。未经REGAL-BELOIT CORPORATION书面授权, 不得泄露、复制、传播或作其他用途。—版权所有



名称: MODEL-RFHP-48FR OUTLINE

图幅: C 图号: F48D62A01

比例: NONE 页号: 1

REV	ECO	REV BY	DATE	APPD	DATE
A	ECO-0034278	A.RODRIGUEZ	07-08-2013	D.MUÑOZ	07-08-2013

GENERAL INFORMATION:

SHAFT RUNOUT: .001[.03] T.I.R. PER INCH LENGTH OF EXTENSION.

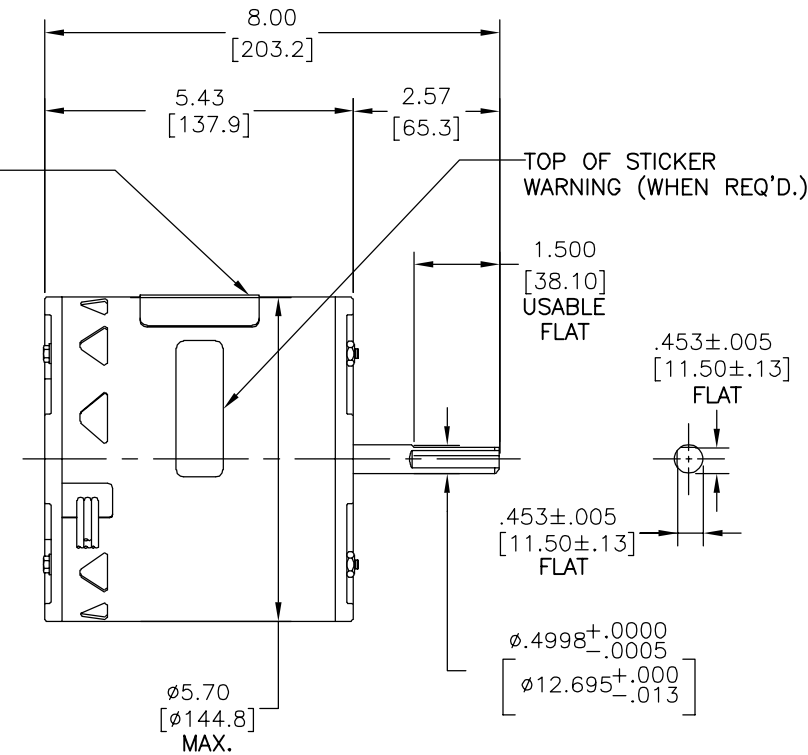
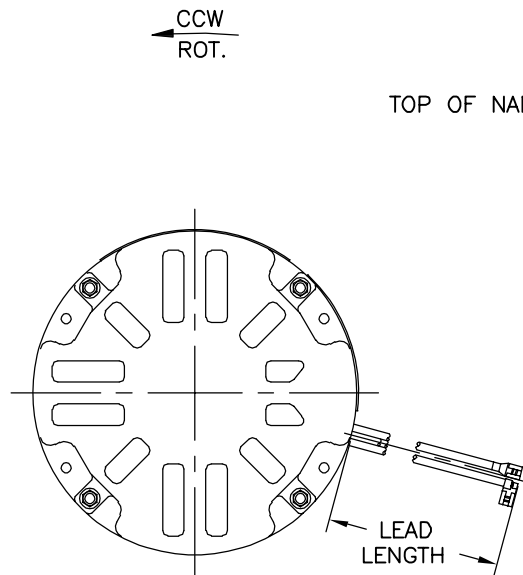
BEARINGS: BALL

MOUNTING POSITION: VERTICAL SHAFT UP

ELECTRICAL DATA:

OVERLOAD PROTECTOR: AUTOMATIC RESET (SENSATA 7AM 036)

LEADS: NO. 18 GA., .06[1.5] THK. PVC 105°C INSUL.



SEE NOTE 1

NAMEPLATE DATA:	EXTERNAL CONNECTION DIAGRAM
MODEL: F48D62A01 CUST. P/N: [] HP: 1/3 ROT: CCWLE RPM: 825 TYPE: UF FRAME: 48Y VOLTS: 115 PH: 1 AMPS: 4.8 (7.0 MAX) HZ: 60 INS: B AMB: 60 °C DUTY: AIR OVER CAP.: 5 MFD/370 V ENCL: SEMI-ENCL CSA LOGO UL LOGO THERMALLY PROTECTED	<p>614131-007</p>

BROWN/WHITE	43[1092]/46[1168]	.25[6.4] FLAG
BROWN	43[1092]/46[1168]	.25[6.4] FLAG
WHITE	40[1016]/43[1092]	.25[6.4] FEMALE SPADE
BLACK	40[1016]/43[1092]	.25[6.4] FEMALE SPADE
COLOR	LENGTH	TERMINAL OR STRIP LENGTH
LEAD DATA		

NOTE:
1. DISTRIBUTION PART NUMBER: OKB1038

MAIN FR.-OLE	ENCLOSED
END FR.-OLE	OPEN
MAIN FR.-LE	OPEN
END FR.-LE	OPEN
ENCLOSURE	

CUST.	STOCK
-------	-------

PREFORMANCE CURVE NO.	TORQUE @ 1550 RPM(25°C)	APPROVED SAMPLE	UL COMPONENT FILE#	GUIDE#	CSA FILE#	GUIDE#
C30966	38.4 OZ. FT.	93AC130A	E46412	PRGY2	LR43341	260-∅-0

GEOMETRIC CHARACTERISTICS & SYMBOLS
 □ FLATNESS
 — STRAIGHTNESS
 < ANGLARITY
 ⊥ PERPENDICULARITY (SQUARENESS)
 ∥ PARALLELISM
 ○ ROUNDNESS (CIRCULARITY)
 ∅ CYLINDRICITY
 △ PROFILE OF ANY SURFACE
 ∩ PROFILE OF ANY LINE
 ∩ RUNOUT
 ⊕ TRUE POSITION
 ⊙ CONCENTRICITY
 = SYMMETRY
 ASME Y14.5M 1994

REGAL-BELOIT CORPORATION (RBC) PROVIDES TECHNICAL ASSISTANCE TO OUR CUSTOMERS IN SEVERAL AREAS. SINCE RBC DOES NOT RECEIVE ALL DATA CONCERNING THE USE AND APPLICATION OF THE MOTOR, THE SUITABILITY OF THE MOTOR FOR THE APPLICATION MUST BE DETERMINED BY THE CUSTOMER.

DIMENSIONS WITHOUT TOLERANCES ARE FOR REFERENCE ONLY.

DR BY: A.RODRIGUEZ 07-08-2013

APPD:

THIRD ANGLE PROJECTION

EDS DATE 11-11-2011
 FORMAT REV H
 CONFIDENTIAL: THIS DRAWING AND ITS INFORMATION ARE THE EXCLUSIVE AND CONFIDENTIAL PROPERTY OF REGAL-BELOIT CORPORATION AND ARE NOT TO BE DISCLOSED, DUPLICATED, DISTRIBUTED OR OTHERWISE USED WITHOUT THE WRITTEN CONSENT OF REGAL-BELOIT CORPORATION. -ALL RIGHTS RESERVED.

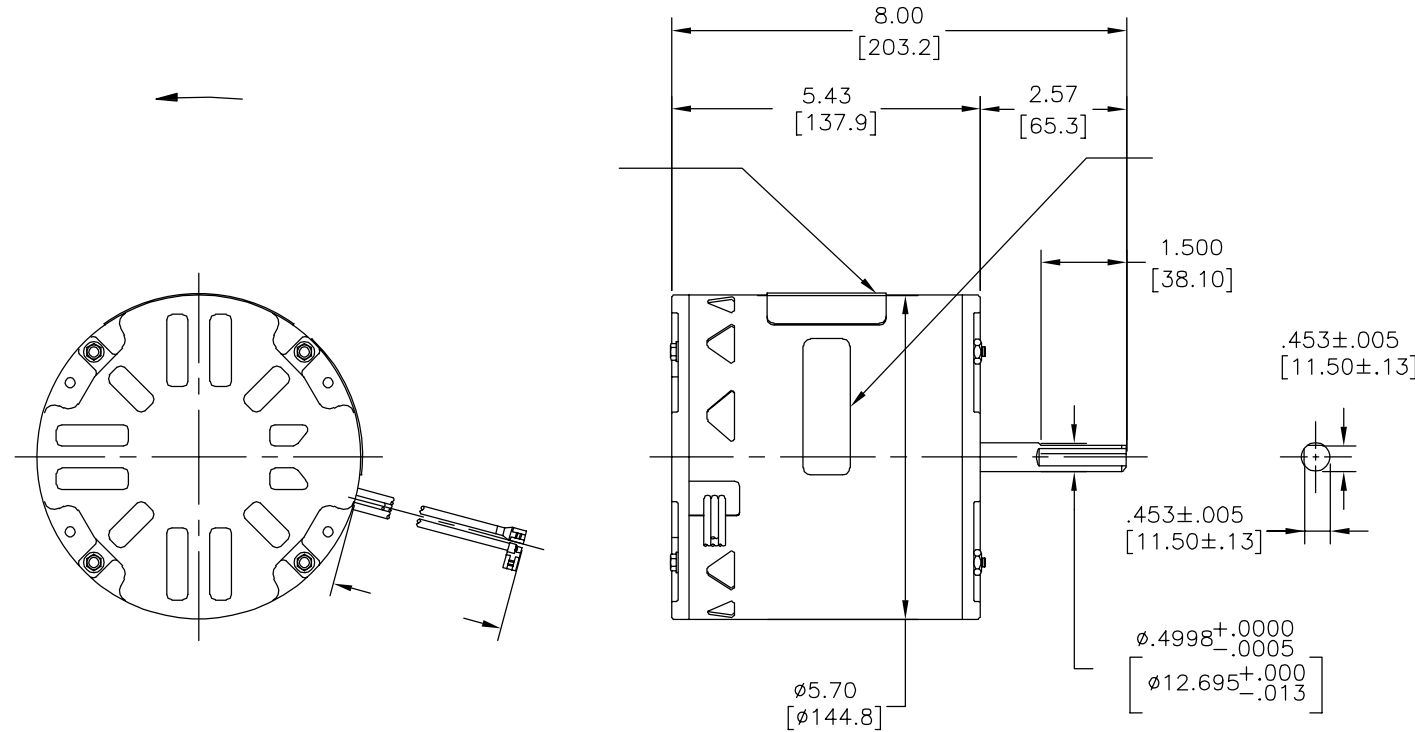
REGAL REGAL-BELOIT CORPORATION

DESCRIPTION
 MODEL-RFHP-48FR
 OUTLINE

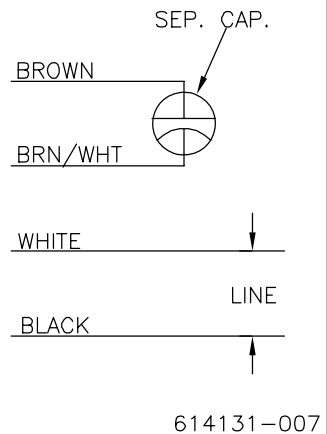
SIZE C DWG NO F48D62A01

SCALE NONE SHEET 1

REVISION:	ECO	REVISADO POR:	FECHA:	APROBADO POR:	FECHA:
A	ECO-0034278	A.RODRIGUEZ	07-08-2013	D.MUÑOZ	07-08-2013



MODEL: F48D62A01
 CUST. P/N: []
 HP: 1/3
 ROT: CCWLE
 RPM: 825
 TYPE: UF
 FRAME: 48Y
 VOLTS: 115
 PH: 1
 AMPS: 4.8 (7.0 MAX)
 HZ: 60
 INS: B
 AMB: 60 °C
 DUTY: AIR OVER
 CAP.: 5 MFD/370 V
 ENCL: SEMI-ENCL
 CSA LOGO
 UL LOGO
 THERMALLY PROTECTED



614131-007

	43[1092]/46[1168]	.25[6.4]
	43[1092]/46[1168]	.25[6.4]
	40[1016]/43[1092]	.25[6.4]
	40[1016]/43[1092]	.25[6.4]

--	--

C30966	38.4 OZ. FT.	93AC130A	E46412	PRGY2	LR43341	260-0-0

CARACTERISTICAS DE GEOMETRIA Y SIMBOLOS
 ▧ PLANICIDAD
 — RECTITUD
 < ANGULARIDAD
 ⊥ PERPENDICULARIDAD (A ESCUADRA)
 // PARALELISMO
 ○ REDONDEZ (CIRCULARIDAD)
 ∅ CILINDRICIDAD
 △ PERFIL DE CUALQUIER SUPERFICIE
 ∇ PERFIL DE CUALQUIER LINEA
 ↗ VARIACION
 ⊕ POSICION REAL
 ⊙ CONCENTRICIDAD
 = SIMETRIA
 ASME Y14.5M 1994

REGAL-BELOIT CORPORATION (RBC)
 PROVEE ASISTENCIA TECNICA A
 NUESTROS CLIENTES EN VARIAS AREAS.
 DESDE QUE RBC NO RECIBE TODOS
 LOS DATOS EN RELACION AL USO Y A
 LA APLICACION DEL MOTOR, LA
 APLICACION ADECUADA DEL MOTOR
 DEBE SER DETERMINADA POR EL
 CLIENTE.

DIMENSIONES SIN TOLERANCIA SON
 DE REFERENCIA SOLAMENTE

DIBUJADO POR:
 A.RODRIGUEZ

07-08-2013

APROBADO POR:

TERCER ANGULO
 DE PROYECCION



FECHA EDS: 11-11-2011
 REV. FORMATO: H

CONFIDENCIAL: ESTE DIBUJO Y SU INFORMACION
 SON PROPIEDAD DE USO EXCLUSIVO Y CONFIDENCIAL DE
 REGAL-BELOIT CORPORATION. Y NO DEBERAN SER REVELADOS,
 DUPLICADOS, DISTRIBUIDOS O USARSE DE OTRA MANERA
 SIN EL CONSENTIMIENTO ESCRITO DE REGAL-BELOIT
 CORPORATION. -TODOS LOS DERECHOS RESERVADOS.



REGAL-BELOIT CORPORATION

DESCRIPCION:

MODEL-RFHP-48FR
 OUTLINE

TAMAÑO: C

NUMERO DE DIBUJO:
 F48D62A01

ESCALA: NONE

HOJA: 1