

GENERAL INFORMATION:

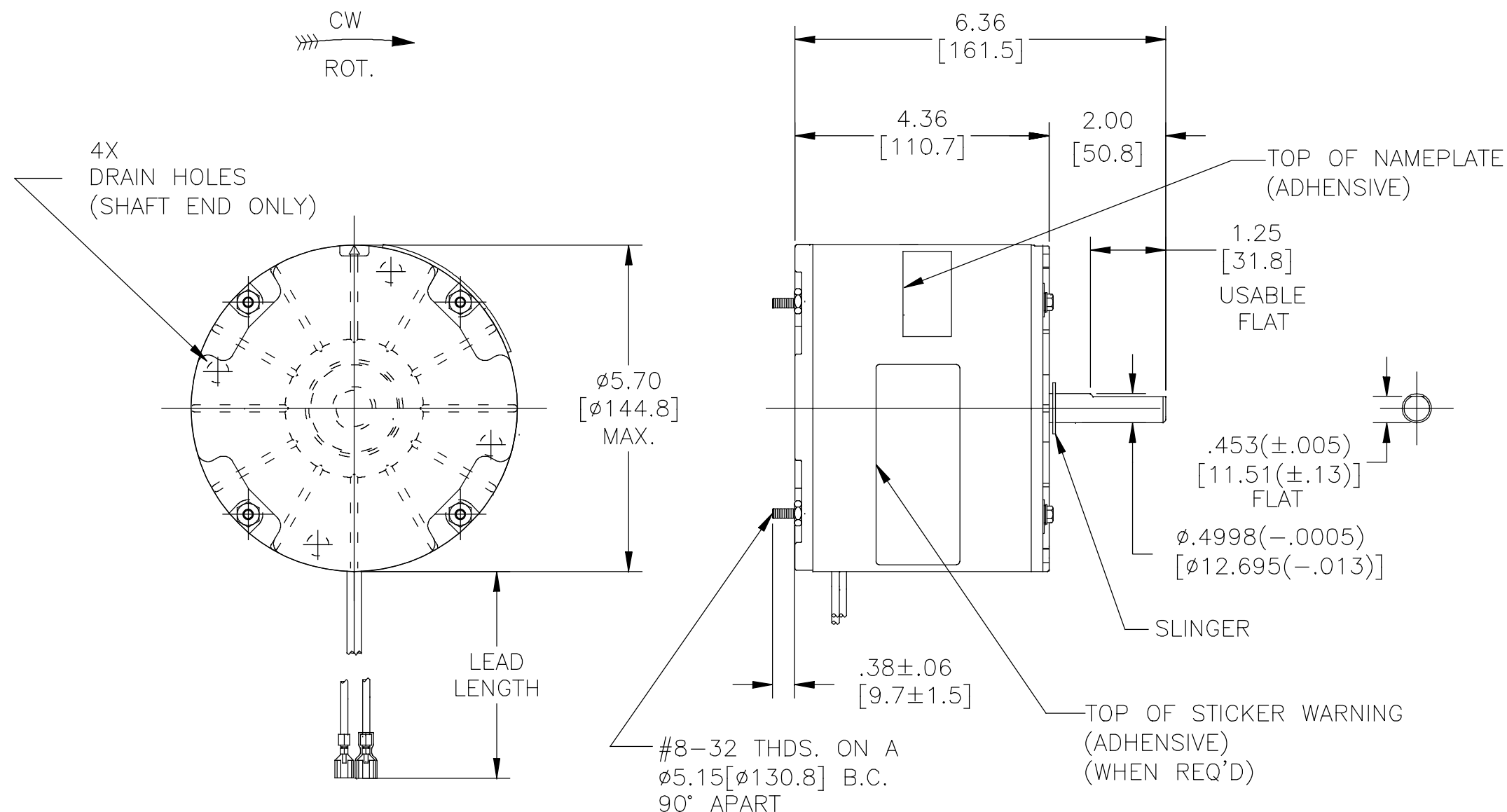
SHAFT RUNOUT: .001[.03] TIR PER INCH LENGTH OF EXTENSION.  
 END PLAY: .010[.25] TO .063[1.60]  
 BEARINGS: SLEEVE  
 MOUNTING POSITION: VERTICLE SHAFT-DOWN

ELECTRICAL DATA:

OVERLOAD PROTECTOR: AUTOMATIC RESET (T.I. 7AM 036)  
 LEADS: NO. 18 GA., .06[1.5] THK., PVC 105°C INSUL.

NOTES:

1. DISTRIBUTION: CUST. P/N: OAM1018  
 GRAINGER: CUST. P/N: 4UY84

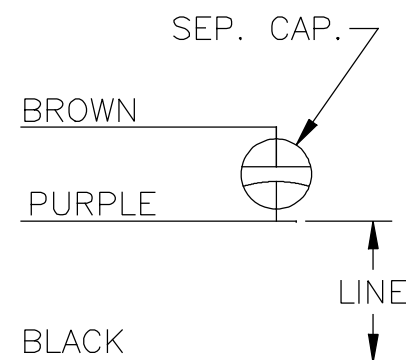


SEE NOTE 1

NAMEPLATE DATA:

MODEL NO.: F48V17A01  
 CUST. P/N:   
 HP: 1/6  
 ROT.: CWLE  
 RPM: 825  
 TYPE: UF  
 FRAME: 48Y  
 VOLTS: 208-230  
 PH: 1  
 AMPS: 1.0-1.1  
 HZ: 60  
 INS: B  
 AMB.: 40 °C  
 DUTY: AIR OVER  
 CAP.: 5MFD/370V  
 INCLOSURE: ENCL  
 UL LOGO  
 CSA LOGO  
 THERMALLY PROTECTED

EXTERNAL CONNECTION DIAGRAM



614131-030

PERFORMANCE CURVE NO.	TORQUE @ 825 RPM (25°C)	APPROVED SAMPLE	UL COMPONENT		CSA	
			FILE #	GUIDE#	FILE #	GUIDE#
C32312	21.6 OZ. FT.	0442625B	E46412	PRGY2	LR43341	260-Ø-0

BROWN	50/54 [1270/1372]	.25[6.4] FEMALE SPADE
BLACK	50/54 [1270/1372]	.25[6.4] FEMALE INSUL. SPADE
PURPLE	50/54 [1270/1372]	.25[6.4] FEMALE SPADE
COLOR	LENGTH	TERMINAL OR STRIP LENGTH

MAIN FRAME - OLE	ENCLOSED
END FRAME - OLE	ENCLOSED WITH DRAIN HOLES
MAIN FRAME - LE	ENCLOSED
END FRAME - LE	ENCLOSED

CUSTOMER	DISTRIBUTION SERVICES
----------	-----------------------

DRAWING REVISION	REVISION BY	DATE	TOLERANCES UNLESS OTHERWISE SPECIFIED	DRAWN BY:	REGAL™ Regal Beloit America, Inc.
E	JASMINE.ZHU	12-26-2018	DEC. INCH mm ANGLE	SR	
ECO	APPROVED BY	DATE	.XX ±0.1 [±2.5] ±0.5°	DATE:	DESCRIPTION MODEL-RFHP-48FR OUTLINE
ECO-0158920	Tricia Niederholtmeyer	12-26-2018	.XX ±0.02 [±0.51]	08-19-2004	
ECO DESCRIPTION			.XXX ±0.005 [±0.127]	APPROVED BY:	MATERIAL
ADD "ENCLOSURE: ENCL" TO NAMEPLATE AREA			.XXXX ±0.0005 [±0.0127]	TR	
COPYRIGHT REGAL BELOIT AMERICA, INC. ALL RIGHTS RESERVED. PROPRIETARY AND CONFIDENTIAL INFORMATION - THIS DOCUMENT IS THE PROPERTY OF REGAL BELOIT AMERICA, INC. (OWNER) AND CONTAINS OWNER'S PROPRIETARY INFORMATION. ANY PERSON, CORPORATION OR OTHER FIRM RECEIVING IT IS DEEMED, BY RECEIVING IT, TO AGREE THAT IT, AND/OR ANY PART OF IT, SHALL NOT BE DISCLOSED TO ANY PERSON, CORPORATION OR OTHER ENTITY, DUPLICATED, AND/OR USED, EXCEPT AS EXPRESSLY APPROVED IN WRITING IN ADVANCE BY OWNER. THIS DOCUMENT SHALL BE RETURNED TO OWNER UPON REQUEST. IT MAY BE SUBJECT TO CERTAIN RESTRICTIONS UNDER APPLICABLE EXPORT CONTROL LAWS AND REGULATIONS.			REMOVE BURRS & BREAK SHARP EDGES .003/.015 [0.076/.381]	DATE:	PROCESS/FINISH
			CORNER FILLETS .02 [.51]	08-26-2004	
			MACHINED SURFACES 125/INCH 3.2/mm	REFERENCE	SIZE DWG NO
			mm SHOWN IN [BRACKETS]	THIRD ANGLE PROJECTION	
				SIZE DWG NO	11891-145
				SHEET	1