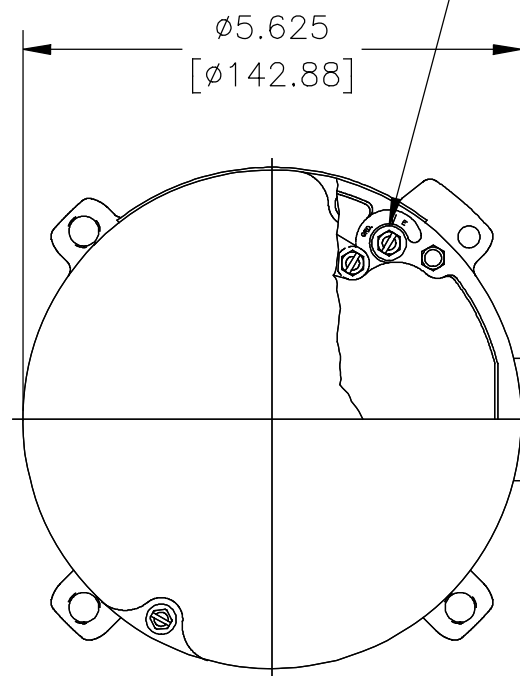


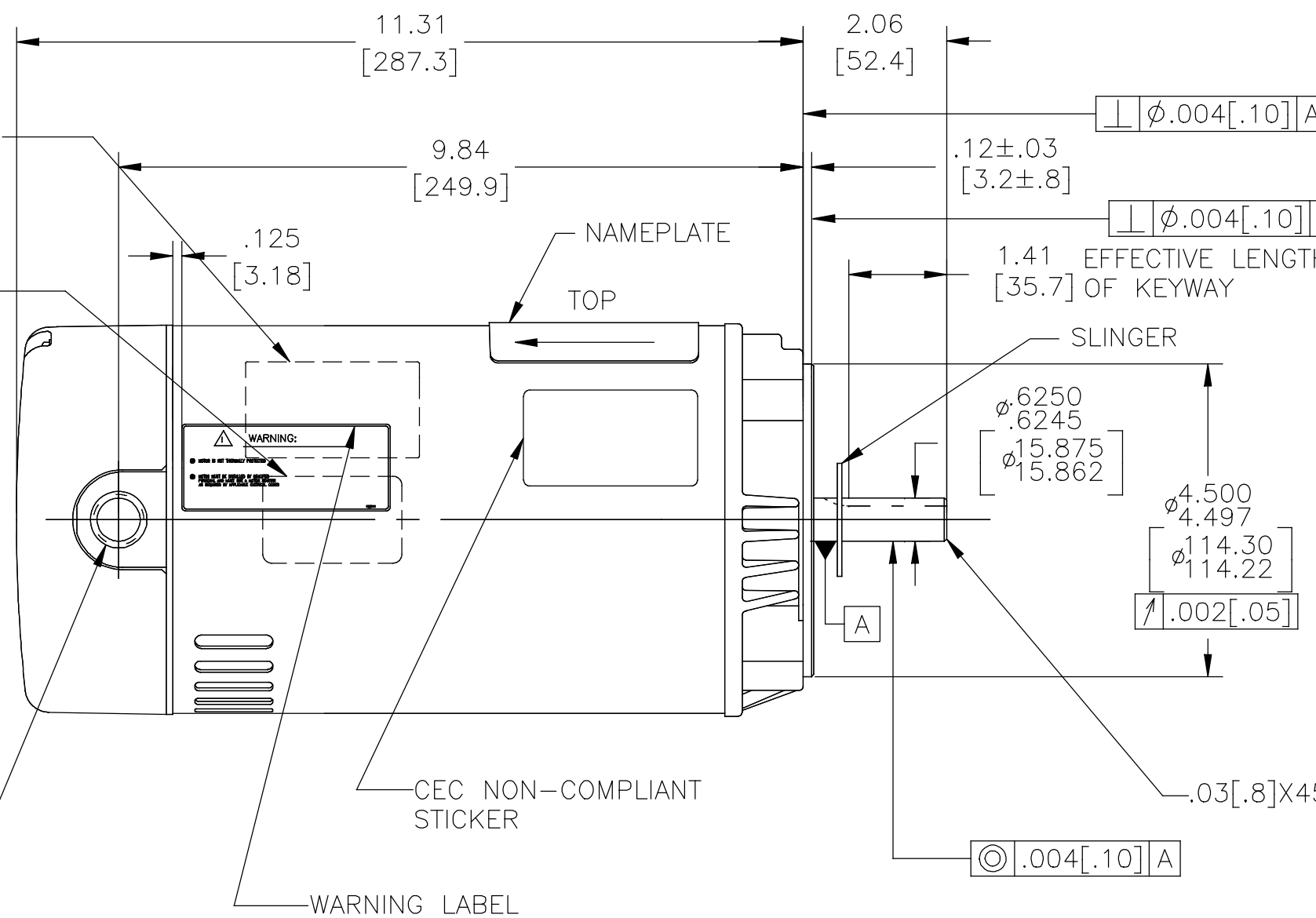
#10-32 GROUND SCREW  
(BINDING HEAD)



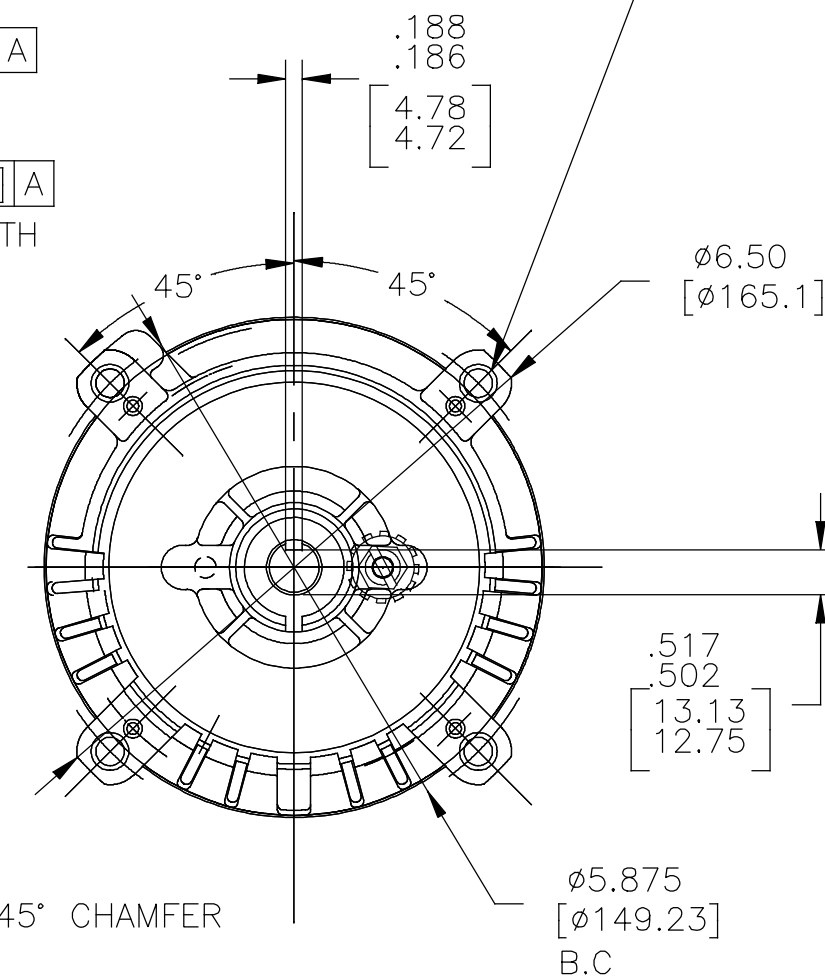
TOP OF NON SVRS  
STICKER ON BACK  
SIDE OF MOTOR

TOP OF SERIAL  
STICKER ON BACK  
SIDE OF MOTOR

1/2-14 STRAIGHT PIPE  
THREAD MUST BE  
LOCATED WITHIN ±2° OF  
HORIZONTAL CENTERLINE.



4X MOUNTING HOLES-3/8-16UNC-2B MAX.  
DEPTH OF SCREW IN CASTING=.625 [15.88].



NAMEPLATE DATA	EXTERNAL CONNECTION DIAGRAM	NOTES
MODEL: P48N2DA1 CUST PN: K3202 HP: 2 SF: 1.2 ROT: REVERSIBLE RPM: 3450 TYPE: P CODE: L FORM: FRAME: 56C VOLTS: 208-230/460 AMPS: 6.6/3.3 MAX AMPS: 8.6/4.3 SF AMPS: - PH: 3 HZ: 60 INS: B AMB: 40 DUTY: CONT ENCLOSURE: ODP -		(1) FINISH PAINT TO BE SATIN BLACK. (2) .438 [11.13] WRENCH FLATS ON SHAFT -FOR ACCESS TO THIS WRENCH FLAT REMOVE END COVER. (3) CARBON STEEL SHAFT. (4) LIMITS ON AMPLITUDE OF VIBRATION MEASURED AT BEARING HOUSING = .001 [0.03]. (5) MAX. END PLAY LESS THAN .005 [0.13].

PERFORMANCE CURVE	APPROVED SAMPLE		
P48N2W1			
UL COMPONENT	CSA		
FILE#	CCN#	FILE#	GUIDE#
E46412	PRGY2	LR43341	4211-01
CUSTOMER	DISTRIBUTION SERVICES		

DRAWING REVISION	REVISION BY	DATE	TOLERANCES UNLESS OTHERWISE SPECIFIED
C	P.ROJAS	04-29-2019	DEC. INCH mm ANGLE
ECO	APPROVED BY	DATE	.XX ±0.1 [±2.5] ±0.5°
ECO-0165900	P.ROJAS	04-29-2019	.XX ±0.02 [±0.51]
SEE ECO			.XXX ±0.005 [±0.127]
			.XXXX ±0.0005 [±0.0127]
COPYRIGHT REGAL BELOIT AMERICA, INC. ALL RIGHTS RESERVED. PROPRIETARY AND CONFIDENTIAL INFORMATION - THIS DOCUMENT IS THE PROPERTY OF REGAL BELOIT AMERICA, INC. (OWNER) AND CONTAINS OWNER'S PROPRIETARY INFORMATION. ANY PERSON, CORPORATION OR OTHER FIRM RECEIVING IT IS DEEMED, BY RECEIVING IT, TO AGREE THAT IT, AND/OR ANY PART OF IT, SHALL NOT BE DISCLOSED TO ANY PERSON, CORPORATION OR OTHER ENTITY, DUPLICATED, AND/OR USED, EXCEPT AS EXPRESSLY APPROVED IN WRITING IN ADVANCE BY OWNER. THIS DOCUMENT SHALL BE RETURNED TO OWNER UPON REQUEST. IT MAY BE SUBJECT TO CERTAIN RESTRICTIONS UNDER APPLICABLE EXPORT CONTROL LAWS AND REGULATIONS.			
REMOVE BURRS & BREAK SHARP EDGES .003/.015 [0.076/.381] X 45° CORNER FILLETS R.02 [5.1] MACHINED SURFACES 125/INCH 3.2/mm SHOWN IN [BRACKETS]			

DRAWN BY:	DZ	REGAL™ Regal Beloit America, Inc.
DATE:	10-21-2010	
APPROVED BY:	DS	DESCRIPTION
DATE:	10-21-2010	MODEL-RFHP-48FR
REFERENCE		OUTLINE
		MATERIAL
		PROCESS/FINISH
THIRD ANGLE PROJECTION	SIZE DWG NO	SHEET
	C K3202	1