

GENERAL INFORMATION:

SHAFT RUNOUT: .001 [.03] T.I.R. PER INCH LENGTH OF EXTENSION

BEARINGS: BALL

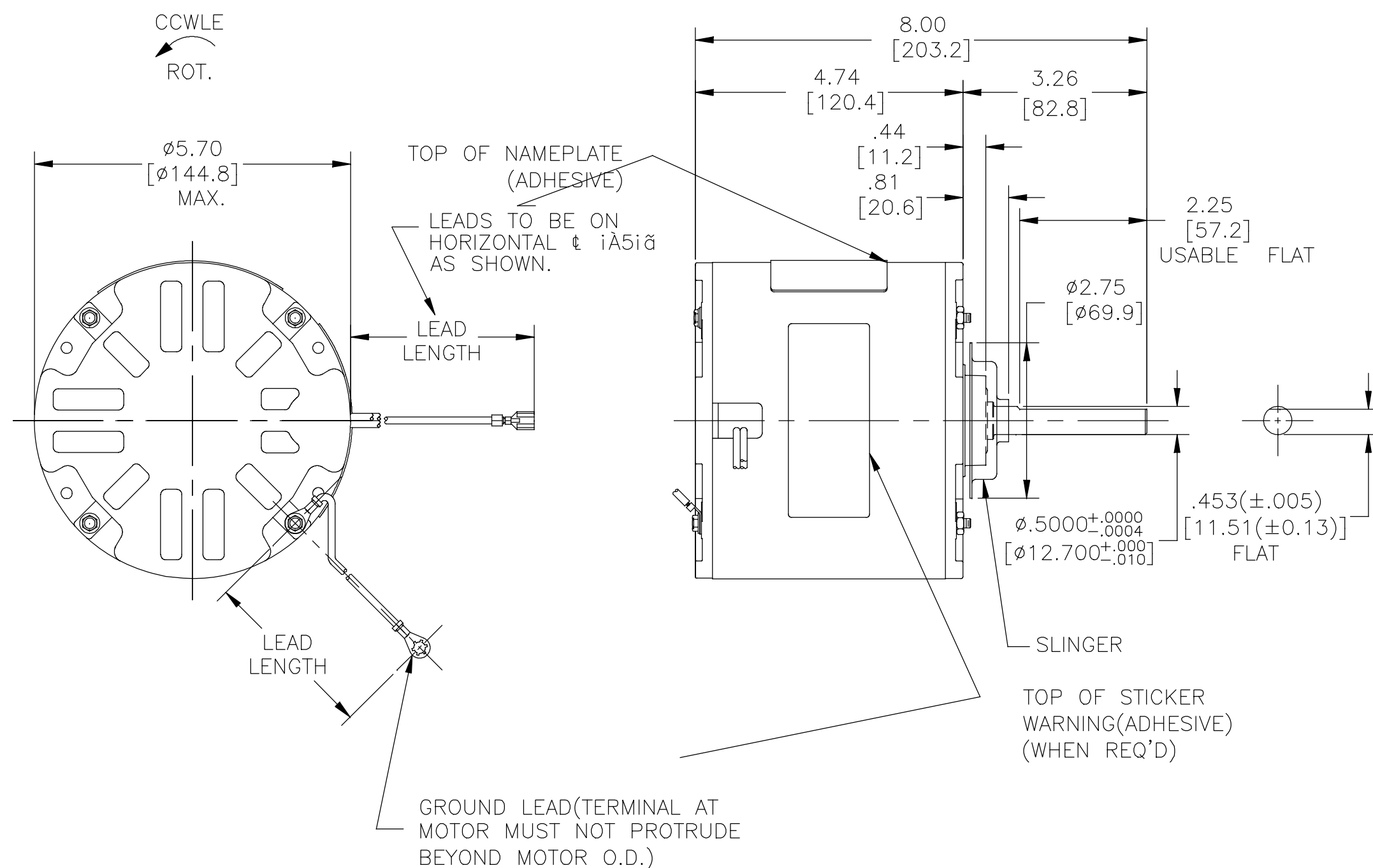
MOUNTING POSITION: VERTICAL SHAFT-UP

ELECTRICAL DATA:

OVERLOAD PROTECTOR: AUTOMATIC RESET (T.I. 7AM 036)

LEADS: NO. 18 GA., .06 [1.5] THK., PVC 105°C INSUL.

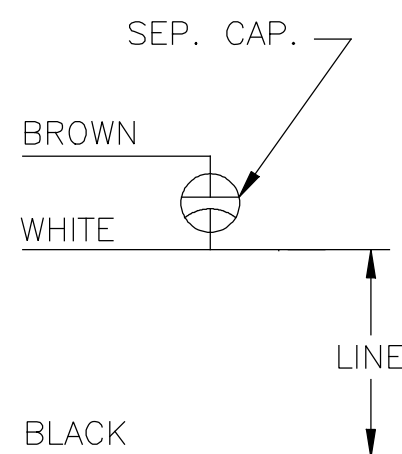
GROUND LEAD: NO. 18 GA., .03 [.8] THK. (GREEN) INSUL.



NAMEPLATE DATA:

MODEL NO.: F48AD49A01  
 CUST. P/N: OAN010  
 HP: 1/3  
 ROT.: CCWLE  
 RPM: 1100  
 TYPE: UF  
 FRAME: 48Y  
 VOLTS: 460  
 PH: 1  
 AMPS: 1.0  
 HZ: 60  
 INS.: B  
 AMB.: 60 °C  
 DUTY: AIR OVER  
 CAP.: 7.5 MFD/370V  
 ENCL: SEMI-ENCL.  
 UL LOGO  
 CSA LOGO  
 THERMALLY PROTECTED

EXTERNAL CONNECTION DIAGRAM



614131-004

COLOR	LENGTH	TERMINAL OR STRIP LENGTH
GREEN (GRD)	9.0/10.0 [229/254]	#10 EYELET
BROWN	108.0/112.0 [2743/2845]	.25 [6.4] FEMALE SPADE
WHITE	108.0/112.0 [2743/2845]	.25 [6.4] FEMALE SPADE
BLACK	108.0/112.0 [2743/2845]	.25 [6.4] FEMALE SPADE

MAIN FRAME - OLE	ENCLOSED
END FRAME - OLE	ENCLOSED
MAIN FRAME - LE	ENCLOSED
END FRAME - LE	OPEN

CUSTOMER DISTRIBUTION

PERFORMANCE CURVE NO.	TORQUE @ 1100 RPM (25°C)	APPROVED SAMPLE	UL COMPONENT		CSA	
			FILE #	CCN #	FILE #	CLASS #
C30673	30.0 OZ. FT.	F48A11A27	E46412	PRGY2	LR43341	4211-01

DRAWING REVISION	REVISION BY	DATE
C	HANNA.ZOU	11-01-2018
ECO	LES MANZ	11-01-2018

ECO-0155256  
 ECO DESCRIPTION  
 SEE ECO

COPYRIGHT REGAL BELOIT AMERICA, INC. ALL RIGHTS RESERVED. PROPRIETARY AND CONFIDENTIAL INFORMATION - THIS DOCUMENT IS THE PROPERTY OF REGAL BELOIT AMERICA, INC. (OWNER) AND CONTAINS OWNER'S PROPRIETARY INFORMATION. ANY PERSON, CORPORATION OR OTHER FIRM RECEIVING IT IS DEEMED, BY RECEIVING IT, TO AGREE THAT IT, AND/OR ANY PART OF IT, SHALL NOT BE DISCLOSED TO ANY PERSON, CORPORATION OR OTHER ENTITY, DUPLICATED, AND/OR USED, EXCEPT AS EXPRESSLY APPROVED IN WRITING IN ADVANCE BY OWNER. THIS DOCUMENT SHALL BE RETURNED TO OWNER UPON REQUEST. IT MAY BE SUBJECT TO CERTAIN RESTRICTIONS UNDER APPLICABLE EXPORT CONTROL LAWS AND REGULATIONS.

ENCLOSURE  
 DRAWN BY: CADDIE.ZHOU  
 DATE: 10-22-2009  
 APPROVED BY: TIM.RILEY  
 DATE: 10-22-2009  
 PROCESS/FINISH

**REGAL**™ Regal Beloit America, Inc.

DESCRIPTION: MODEL-RFHP-48FR OUTLINE

MATERIAL: -

THIRD ANGLE PROJECTION

SIZE DWG NO: C F48AD49A01

SHEET 1