

GENERAL INFORMATION:

SHAFT RUNOUT: .001 [.03] T.I.R. PER INCH LENGTH OF EXTENSION

BEARINGS: BALL

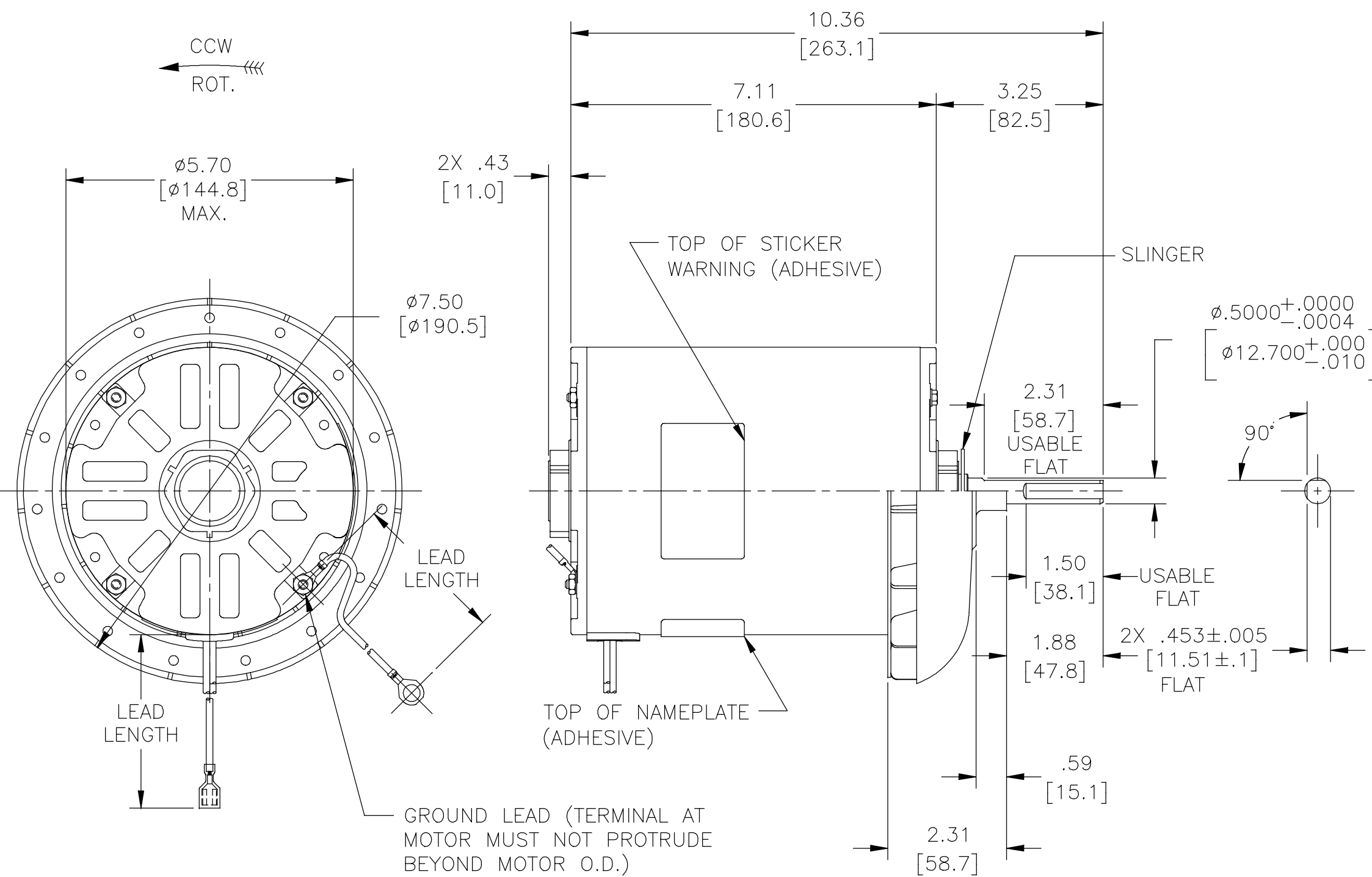
MOUNTING POSITION: VERTICAL SHAFT UP

ELECTRICAL DATA:

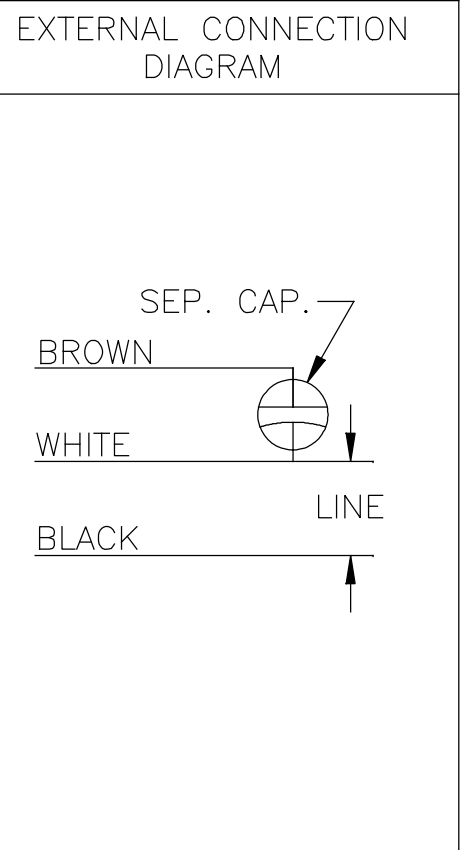
OVERLOAD PROTECTOR: AUTOMATIC RESET (T.I. 7AM 034)

LEADS: NO 16 GA., .06 [1.5] THK PVC 105C INSUL

GROUND LEAD: NO. 16 GA., .03 [.8] THK. (GREEN) INSUL.



NAMEPLATE DATA:
 MODEL NO.: F48U09A01
 CUST. P/N: OAN747
 HP: 3/4
 ROT.: CCWLE
 RPM: 1075
 TYPE: UF
 FRAME: 48Y
 VOLTS: 460
 PH: 1
 AMPS: 2.0
 HZ: 60
 INS.: B
 AMB.: 60° C
 DUTY: AIR OVER
 CAP.: 15 MFD/370 V
 ENCL: SEMI-ENCL.
 UL LOGO
 CSA LOGO
 THERMALLY PROTECTED



614131-004

GREEN (GROUND)	10.0/12.0 [254/305]	.265 [6.73] RING
BROWN	96.0/100.0 [2438/2540]	.25 [6.4] PRE-INSUL. FEMALE SPADE
WHITE	96.0/100.0 [2438/2540]	.25 [6.4] PRE-INSUL. FEMALE SPADE
BLACK	96.0/100.0 [2438/2540]	.25 [6.4] PRE-INSUL. FEMALE SPADE
COLOR	LENGTH	TERMINAL OR STRIP LENGTH

REGAL-BELOIT CORPORATION (RBC) PROVIDES TECHNICAL ASSISTANCE TO OUR CUSTOMERS IN SEVERAL AREAS. SINCE RBC DOES NOT RECEIVE ALL DATA CONCERNING THE USE AND APPLICATION OF THE MOTOR, THE SUITABILITY OF THE MOTOR FOR THE APPLICATION MUST BE DETERMINED BY THE CUSTOMER.

DIMENSIONS WITHOUT TOLERANCES ARE FOR REFERENCE ONLY.

MAIN FRAME - OLE	ENCLOSED
END FRAME - OLE	OPEN
MAIN FRAME - LE	ENCLOSED
END FRAME - LE	OPEN

CUSTOMER	DISTRIBUTION SERVICE
----------	----------------------

PERFORMANCE CURVE NO.	TORQUE @ 1075 RPM (25°C)	APPROVED SAMPLE	UL COMPONENT FILE #	CCN #	CSA FILE #	CLASS #
C32193	73.7 OZ. FT.	0340949A	E46412	PRGY2	LR43341	4211-01

DRAWING REVISION C	REVISION BY JERRY CHAI	DATE 10-11-2018
ECO-0154505	APPROVED BY JERRY CHAI	DATE 10-11-2018
ECO DESCRIPTION SEE ECO		

TOLERANCES UNLESS OTHERWISE SPECIFIED
DEC. INCH mm ANGLE
.XX ±0.1 [±2.5] ±0.5°
.XX ±0.02 [±0.51]
.XXX ±0.005 [±0.127]
.XXXX ±0.0005 [±0.0127]
REMOVE BURRS & BREAK SHARP EDGES .003/.015 [0.076/.381]
CORNER FILLETS .02 [51]
MACHINED SURFACES 125/ mm 3.2/ INCH
mm SHOWN IN [BRACKETS]

DRAWN BY: JACK.Z	DATE: 04-16-2006	APPROVED BY:	DATE:
REFERENCE		MATERIAL	PROCESS/FINISH
THIRD ANGLE PROJECTION		SIZE DWG NO. C F48U09A01	SHEET 1



MODEL-RFHP-48FR
OUTLINE

COPYRIGHT REGAL-BELOIT CORPORATION, INC. ALL RIGHTS RESERVED. PROPRIETARY AND CONFIDENTIAL INFORMATION - THIS DOCUMENT IS THE PROPERTY OF REGAL-BELOIT CORPORATION, INC. (OWNER) AND CONTAINS OWNER'S PROPRIETARY INFORMATION. ANY PERSON, CORPORATION OR OTHER FIRM RECEIVING IT IS DEEMED, BY RECEIVING IT, TO AGREE THAT IT, AND/OR ANY PART OF IT, SHALL NOT BE DISCLOSED TO ANY PERSON, CORPORATION OR OTHER ENTITY, DUPLICATED, AND/OR USED, EXCEPT AS EXPRESSLY APPROVED IN WRITING IN ADVANCE BY OWNER. THIS DOCUMENT SHALL BE RETURNED TO OWNER UPON REQUEST. IT MAY BE SUBJECT TO CERTAIN RESTRICTIONS UNDER APPLICABLE EXPORT CONTROL LAWS AND REGULATIONS.