

GENERAL INFORMATION:

SHAFT RUNOUT: .001[.025] T.I.R. PER 1.00[25.40] LENGTH OF EXTENSION

BEARINGS: BALL

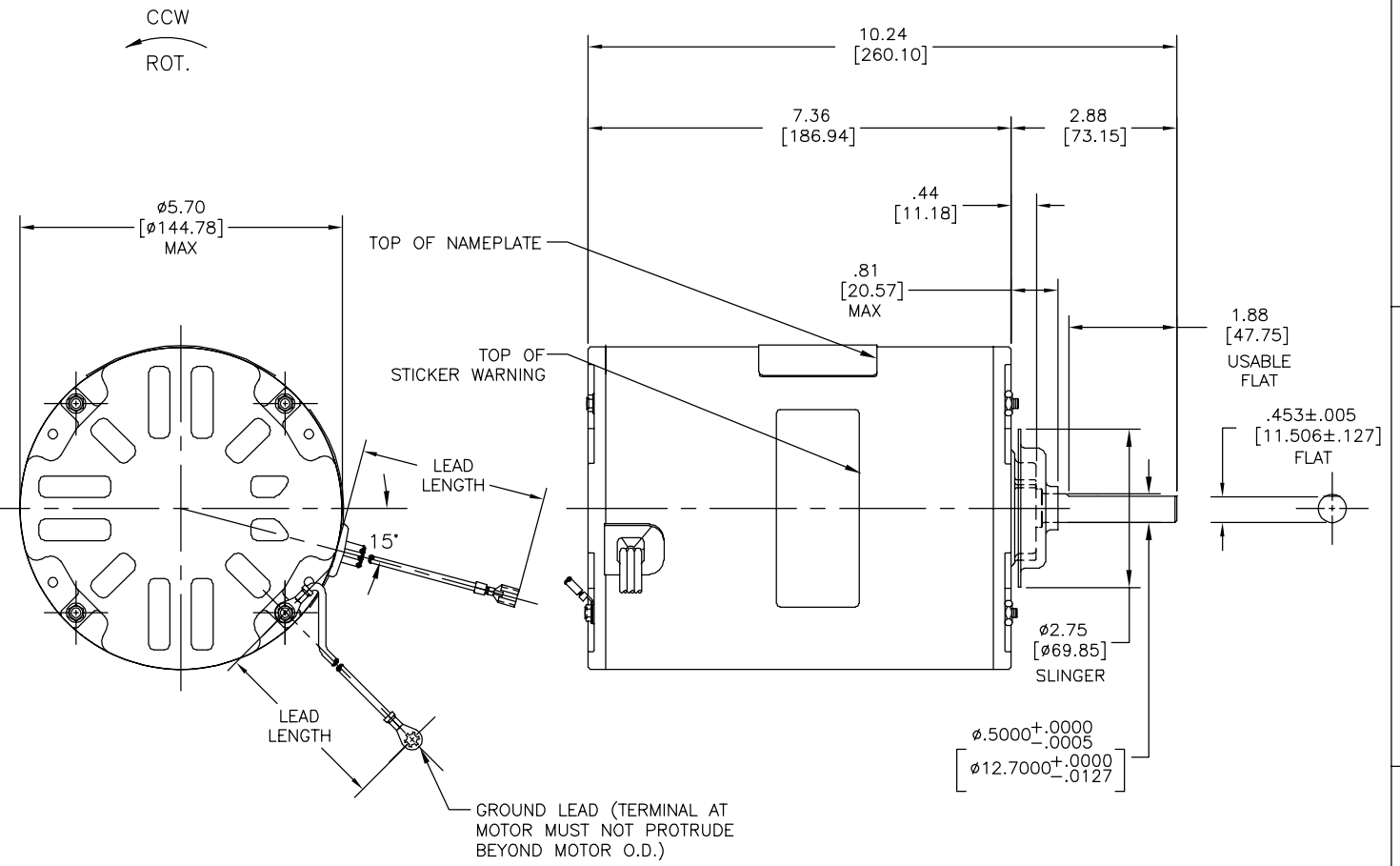
MOUNTING POSITION: VERTICAL SHAFT-UP

ELECTRICAL DATA:

OVERLOAD PROTECTOR: AUTOMATIC RESET (T.I. 7AM 036)

LEADS: NO. 16 GA., .06[1.52] THK., PVC 105°C INSUL.

GROUND LEAD: NO. 16 GA., .03[.76] THK., (GREEN) INSUL.



NAMEPLATE DATA:		EXTERNAL CONNECTION DIAGRAM	
MODEL NO.:	F48K04A01		
CUST. P/N:	OAN1076V1		
HP:	3/4		
ROT.:	CCWLE		
RPM:	1075/920		
TYPE:	UF		
FRAME:	48Y		
VOLTS:	460/380-415		
PH:	1		
AMPS:	2.8/1.8		
HZ:	60/50		
INS.:	B		
AMB.:	60° C		
DUTY:	AIR OVER		
CAP.:	12.5 MFD/370V		
ENCL:	SEMI-ENCL.		
UL LOGO			
CSA LOGO			
THERMALLY PROTECTED			

614131-004

COLOR	LENGTH	TERMINAL OR STRIP LENGTH
GREEN (GROUND)	9.0/10.0 [228.6/254.0]	#10 EYELET
BROWN	96.0/100.0 [2438.4/2540.0]	.25[6.35] FEMALE SPADE
WHITE	96.0/100.0 [2438.4/2540.0]	.25[6.35] FEMALE SPADE
BLACK	96.0/100.0 [2438.4/2540.0]	.25[6.35] FEMALE SPADE

REGAL-BELOIT CORPORATION (RBC) PROVIDES TECHNICAL ASSISTANCE TO OUR CUSTOMERS IN SEVERAL AREAS. SINCE RBC DOES NOT RECEIVE ALL DATA CONCERNING THE USE AND APPLICATION OF THE MOTOR, THE SUITABILITY OF THE MOTOR FOR THE APPLICATION MUST BE DETERMINED BY THE CUSTOMER.

DIMENSIONS WITHOUT TOLERANCES ARE FOR REFERENCE ONLY.

MAIN FRAME - OLE	ENCLOSED
END FRAME - OLE	ENCLOSED
MAIN FRAME - LE	ENCLOSED
END FRAME - LE	OPEN

PERFORMANCE CURVE NO.	TORQUE @ 1075 RPM (25°C)	APPROVED SAMPLE	UL COMPONENT		CSA	
			FILE #	CCN #	FILE #	CLASS #
C31558	82.0 OZ. FT.	98AC005A	E46412	PRGY2	LR43341	260-ø-0

DRAWING REVISION	REVISION BY	DATE
A	N.HONG	07-14-2014
ECO-0053908	APPROVED BY M.HE	DATE 07-14-2014

COPYRIGHT REGAL-BELOIT AMERICA, INC. ALL RIGHTS RESERVED. PROPRIETARY AND CONFIDENTIAL INFORMATION - THIS DOCUMENT IS THE PROPERTY OF REGAL-BELOIT AMERICA, INC. (OWNER) AND CONTAINS OWNER'S PROPRIETARY INFORMATION. ANY PERSON, CORPORATION OR OTHER ENTITY RECEIVING IT IS DEEMED BY RECEIVING IT, TO AGREE THAT IT, AND/OR ANY PART OF IT, SHALL NOT BE DISCLOSED TO ANY PERSON, CORPORATION OR OTHER ENTITY, DUPLICATED, AND/OR USED, EXCEPT AS EXPRESSLY APPROVED IN WRITING IN ADVANCE BY OWNER. THIS DOCUMENT SHALL BE RETURNED TO OWNER UPON REQUEST. IT MAY BE SUBJECT TO CERTAIN RESTRICTIONS UNDER APPLICABLE EXPORT CONTROL LAWS AND REGULATIONS.

DRAWN BY: N.HONG	DATE: 07-14-2014	Regal Beloit America, Inc.
APPROVED BY: M.HE	DATE: 07-14-2014	
DESCRIPTION	MODEL-RFHP-48FR OUTLINE	
REFERENCE	MATERIAL	PROCESS/FINISH
THIRD ANGLE PROJECTION	SIZE DWG NO: C	OAN1076V1
		SHEET 1