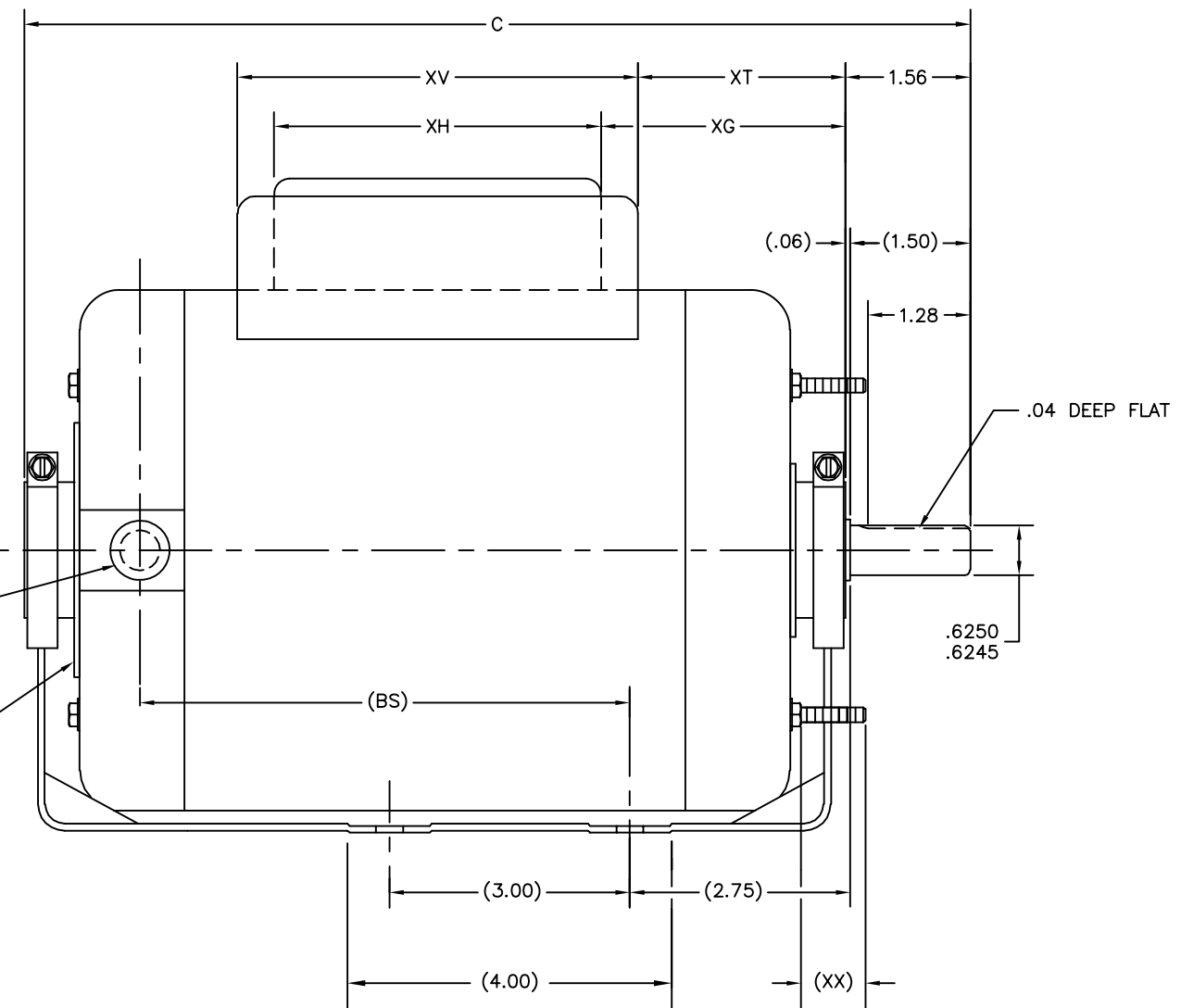
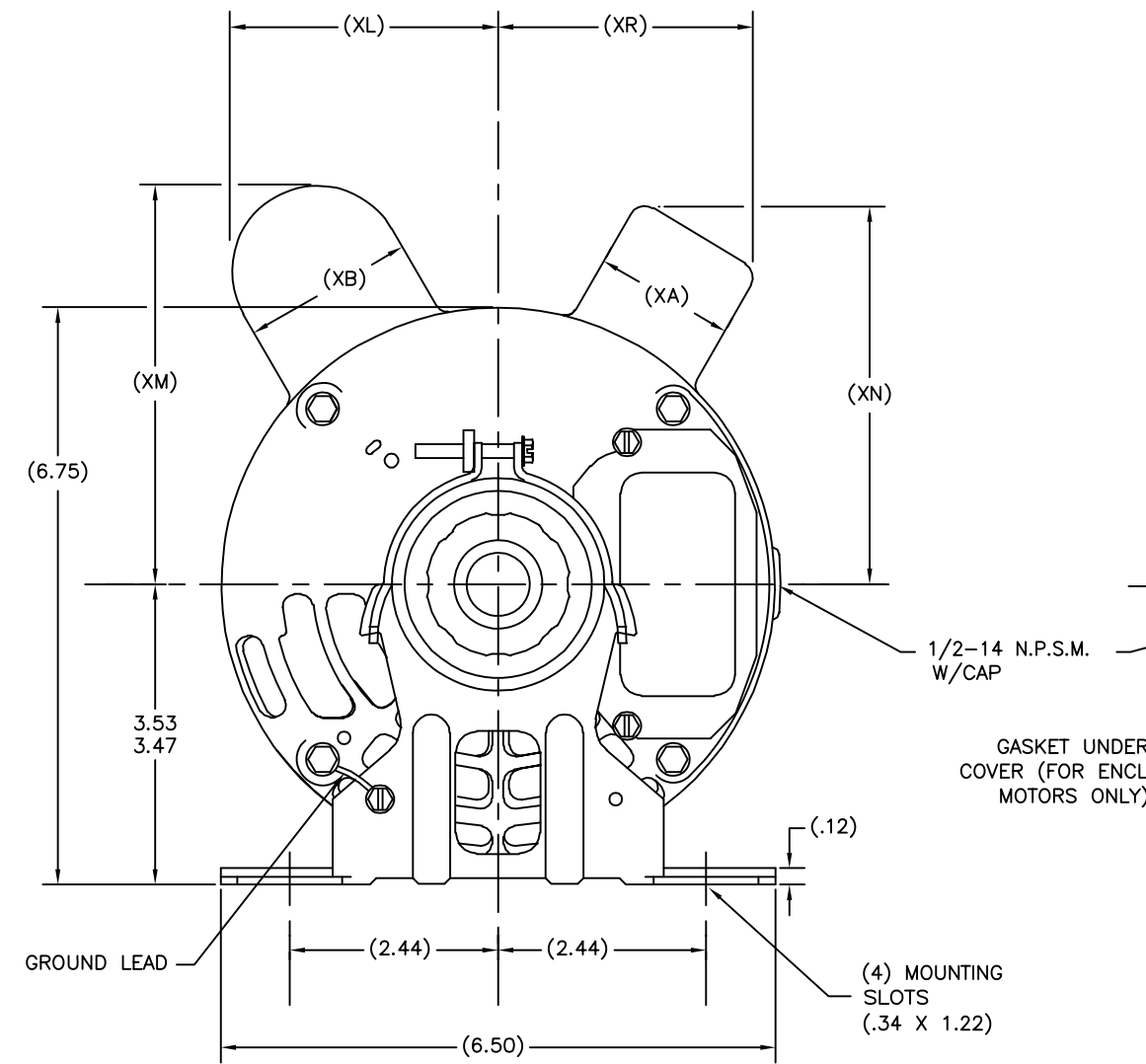


REV	ECO	REV BY	DATE	APPD	DATE
G	0025372	E.SINECIO	04-13-2012	R.RASCON	04-13-2012

GROUP	FRAME	"C"	(BS)	(XA)	(XB)	(XG)	(XH)	(XL)	(XM)	(XN)	(XR)	(XT)	(XV)	(XX)
-01	J56Z	10.69	5.00	2.34	1.64	2.84	4.08	2.80	4.40	4.38	3.30	1.67	5.28	.75
-02														

NOTES:

- 1 PILOT DIAMETER IS CONCENTRIC WITH SHAFT CENTERLINE WITHIN .004 T.I.R.
- 2 FACE OF MOUNTING FLANGE IS PERPENDICULAR TO SHAFT CENTERLINE WITHIN .004 T.I.R.
- 3 SHAFT RUNOUT NOT TO EXCEED .002 T.I.R.
- 4 END PLAY NOT TO EXCEED .010 MEASURED WITH NO THRUST
- 5 ALL DIMENSIONS SHOWN IN PARENTHESIS ARE REFERENCE DIMENSIONS. ALL OTHER DIMENSIONS ARE TOLERANCED PER THE FOLLOWING CHART UNLESS OTHERWISE SPECIFIED.  
 "C" DIM. = +/- .055  
 SHAFT EXT. = +/- .034  
 LEAD LENGTHS = +/- 1.00  
 EXTENDED THRU-BOLTS = +/- .050  
 ANGULAR DIMS. = +/- 2 DEGS.



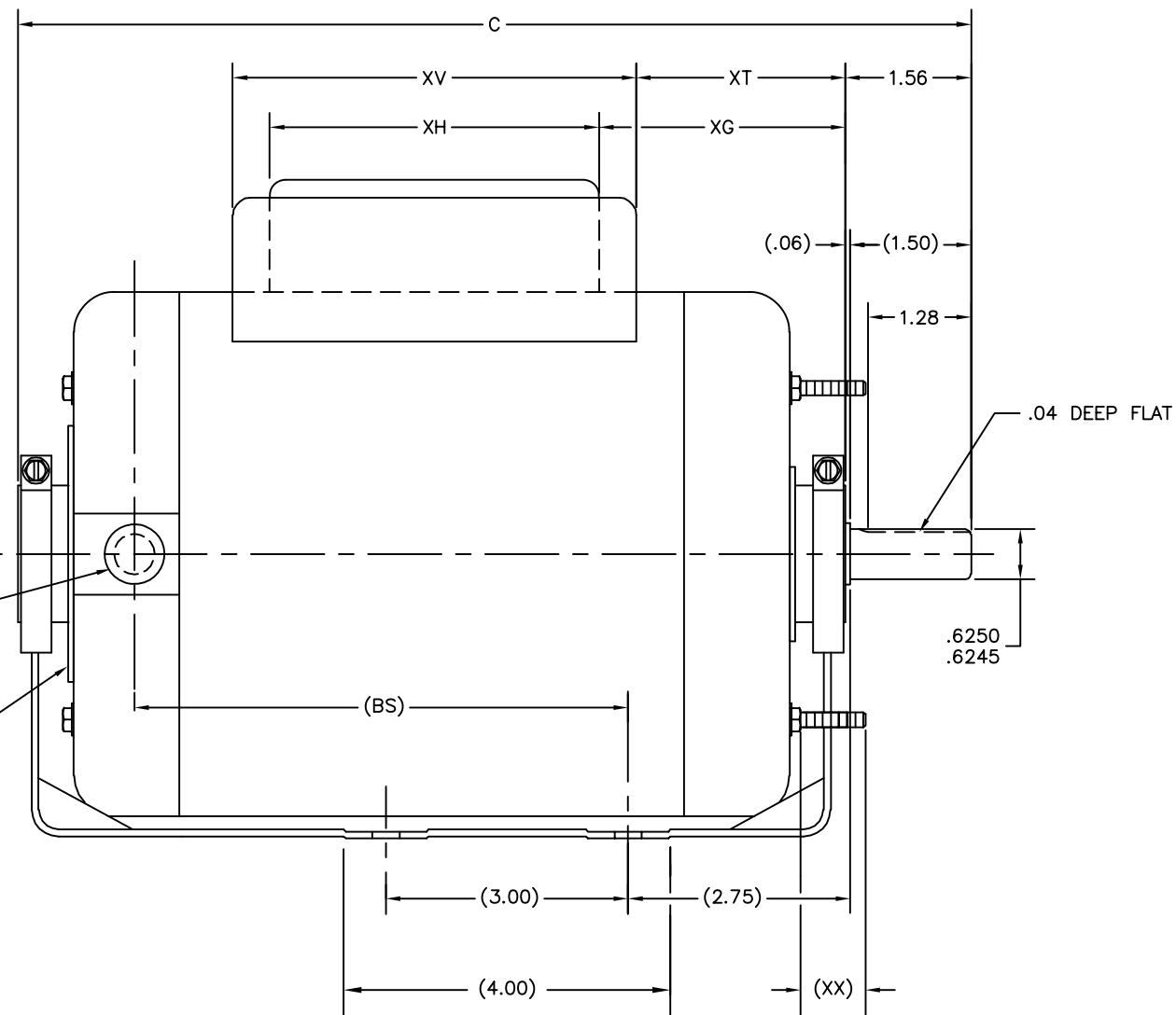
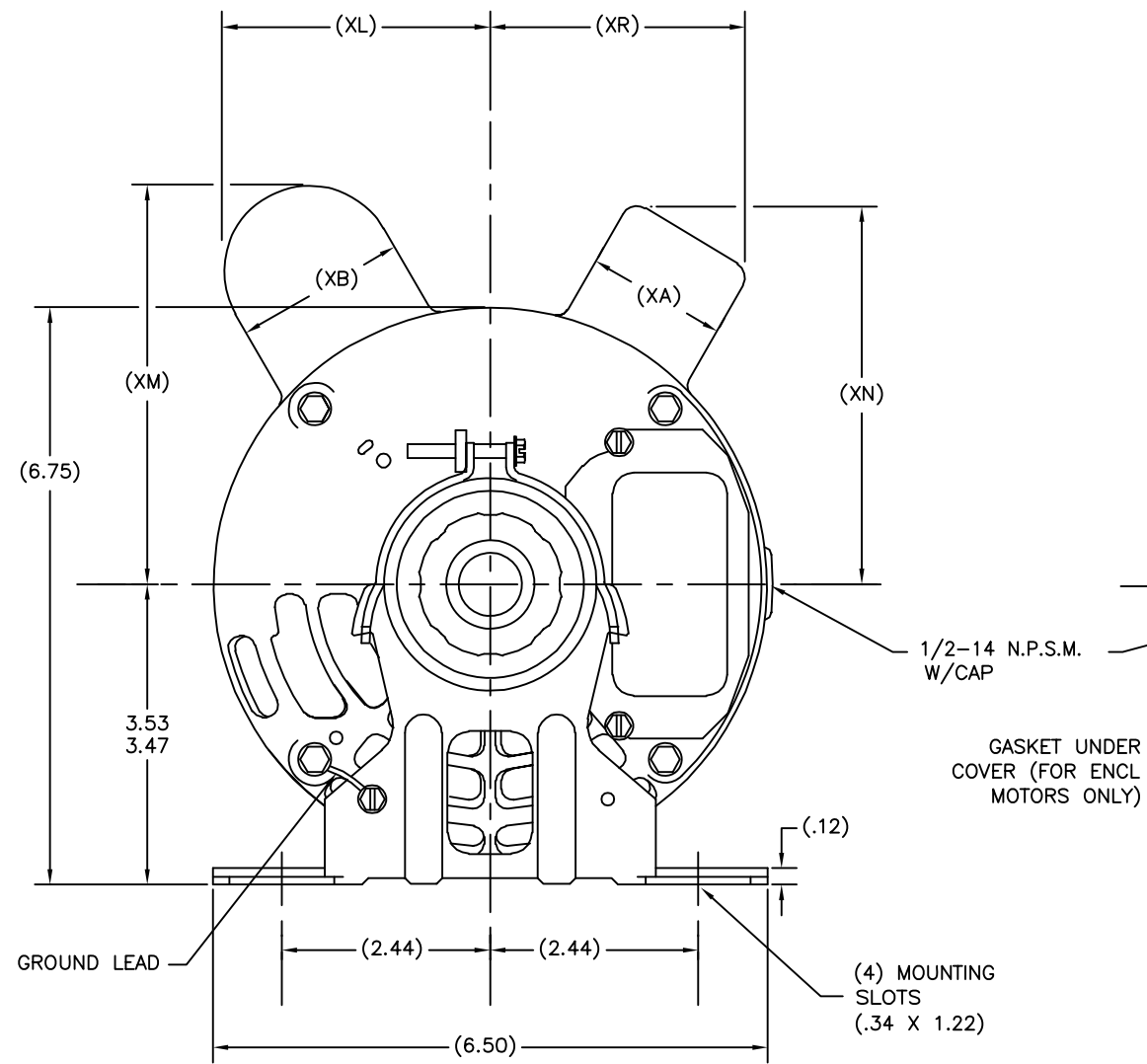
GEOMETRIC CHARACTERISTICS & SYMBOLS ▽ FLATNESS — STRAIGHTNESS ∟ ANGULARITY ⊥ PERPENDICULARITY (SQUARENESS) // PARALLELISM Ⓞ ROUNDNESS (CIRCULARITY) Ⓢ CYLINDRICITY ≡ PROFILE OF ANY SURFACE ⤴ PROFILE OF ANY LINE ⤵ RUNOUT ⊕ TRUE POSITION ⊙ CONCENTRICITY ⊖ SYMMETRY	UNLESS OTHERWISE SPECIFIED DIM. TOLERANCES ARE AS FOLLOWS: INCH ±.1 ±.02 ±.005 ±.0005 mm ±0.5 ±0.13 ±0.013 ANG. ±.50 DEG REMOVE BURRS & BREAK SHARP EDGES: INCH .003-.015 mm 0.1-0.4 CORNER FILLETS TO: INCH .020 mm 0.5 MACHINE SURFACES: INCH 125 mm 3.2 METRIC DIMS. SHOWN IN [BRACKETS]	DR BY:		REGAL-BELOIT CORPORATION MODEL-CFHP-56FR OUTLINE
		APPD:	12-18-1981	
		THIRD ANGLE PROJECTION	EDS DATE 02-22-2008 FORMAT REV G	SIZE D DWG NO 162008
		CONFIDENTIAL: THIS DRAWING AND ITS INFORMATION ARE THE EXCLUSIVE AND CONFIDENTIAL PROPERTY OF REGAL-BELOIT CORPORATION AND ARE NOT TO BE DISCLOSED, DUPLICATED, DISTRIBUTED OR OTHERWISE USED WITHOUT THE WRITTEN CONSENT OF REGAL-BELOIT CORPORATION. ALL RIGHTS RESERVED.		SCALE NONE SHEET 1

REVISION: ECO	REVISADO POR: E.SINECIO	FECHA: 04-13-2012	APROBADO POR: R.RASCON	FECHA: 04-13-2012
G	0025372			

GROUP	FRAME	"C"	(BS)	(XA)	(XB)	(XG)	(XH)	(XL)	(XM)	(XN)	(XR)	(XT)	(XV)	(XX)
-01	J56Z	10.69	5.00	2.34	1.64	2.84	4.08	2.80	4.40	4.38	3.30	1.67	5.28	.75
-02														

NOTES:

- 1 PILOT DIAMETER IS CONCENTRIC WITH SHAFT CENTERLINE WITHIN .004 T.I.R.
- 2 FACE OF MOUNTING FLANGE IS PERPENDICULAR TO SHAFT CENTERLINE WITHIN .004 T.I.R.
- 3 SHAFT RUNOUT NOT TO EXCEED .002 T.I.R.
- 4 END PLAY NOT TO EXCEED .010 MEASURED WITH NO THRUST
- 5 ALL DIMENSIONS SHOWN IN PARENTHESIS ARE REFERENCE DIMENSIONS. ALL OTHER DIMENSIONS ARE TOLERANCED PER THE FOLLOWING CHART UNLESS OTHERWISE SPECIFIED.
  - "C" DIM. = +/- .055
  - SHAFT EXT. = +/- .034
  - LEAD LENGTHS = +/- 1.00
  - EXTENDED THRU-BOLTS = +/- .050
  - ANGULAR DIMS. = +/- 2 DEGS.



CARACTERISTICAS DE GEOMETRIA Y SIMBOLOS: □ PLANICIDAD — RECTITUD ∠ ANGULARIDAD ⊥ PERPENDICULARIDAD (A ESCUADRA) // PARALELISMO ○ REDONDEZ (CIRCULARIDAD) ⌀ CILINDRICIDAD ≡ PERFIL DE CUALQUIER SUPERFICIE ~ PERFIL DE CUALQUIER LINEA ↗ VARIACION ⊕ POSICION REAL ⊙ CONCENTRICIDAD = SIMETRIA	A MENOS QUE SE ESPECIFIQUE DE OTRA MANERA, LAS TOLERANCIAS DE LAS DIMS, SON LAS SIGUIENTES: PULG ±.1 ±.02 ±.005 ±.0005 mm ±0.5 ±0.13 ±0.013 ANG ±50 GRADOS ELIMINAR REBABAS Y ORILLAS FILOSAS DEL BORDE. PULG .003-.015 mm 0.1-0.4 FILETEAR ESQUINA: PULG .020 mm 0.5 MAQUINAR SUPERFICIES PULG 125 mm 3.2 DIMS METRICAS MOSTRADAS [PARENTESIS]	DIBUJADO POR:		DESCRIPCION: <b>MODEL-CFHP-56FR</b> OUTLINE
		APROBADO POR:	12-18-1981	
TERCER ANGULO DE PROYECCION:		CONFIDENCIAL: ESTE DIBUJO Y SU INFORMACION SON PROPIEDAD DE USO EXCLUSIVO Y CONFIDENCIAL DE REGAL-BELOIT CORPORATION, Y NO DEBERAN SER REVELADOS, DUPLICADOS, DISTRIBUIDOS O USARSE DE OTRA MANERA SIN EL CONSENTIMIENTO ESCRITO DE REGAL-BELOIT CORPORATION. -TODOS LOS DERECHOS RESERVADOS.	REV. FORMATO: G	NUMERO DE DIBUJO: 162008
			ESCALA: NONE	HOJA: 1

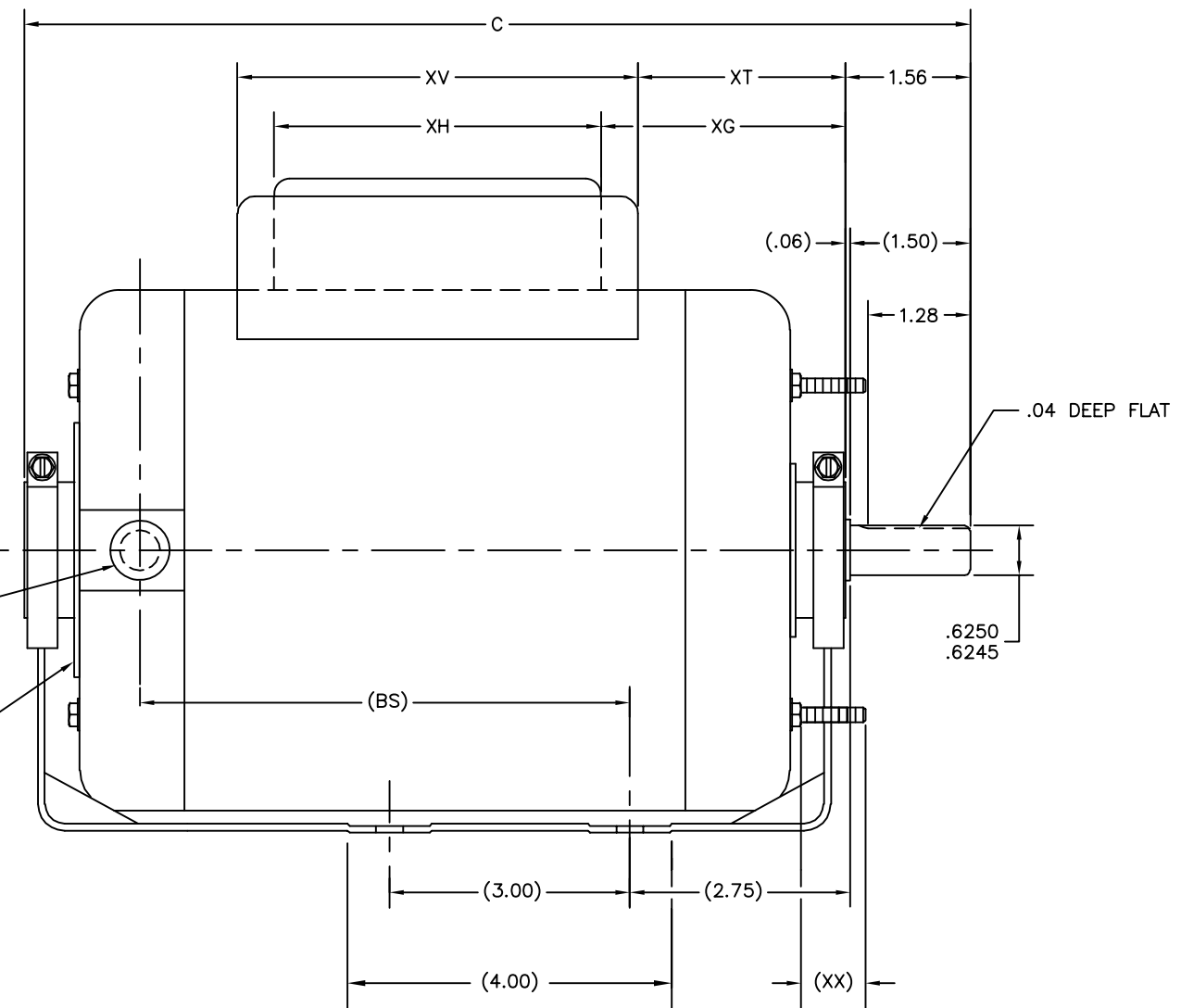
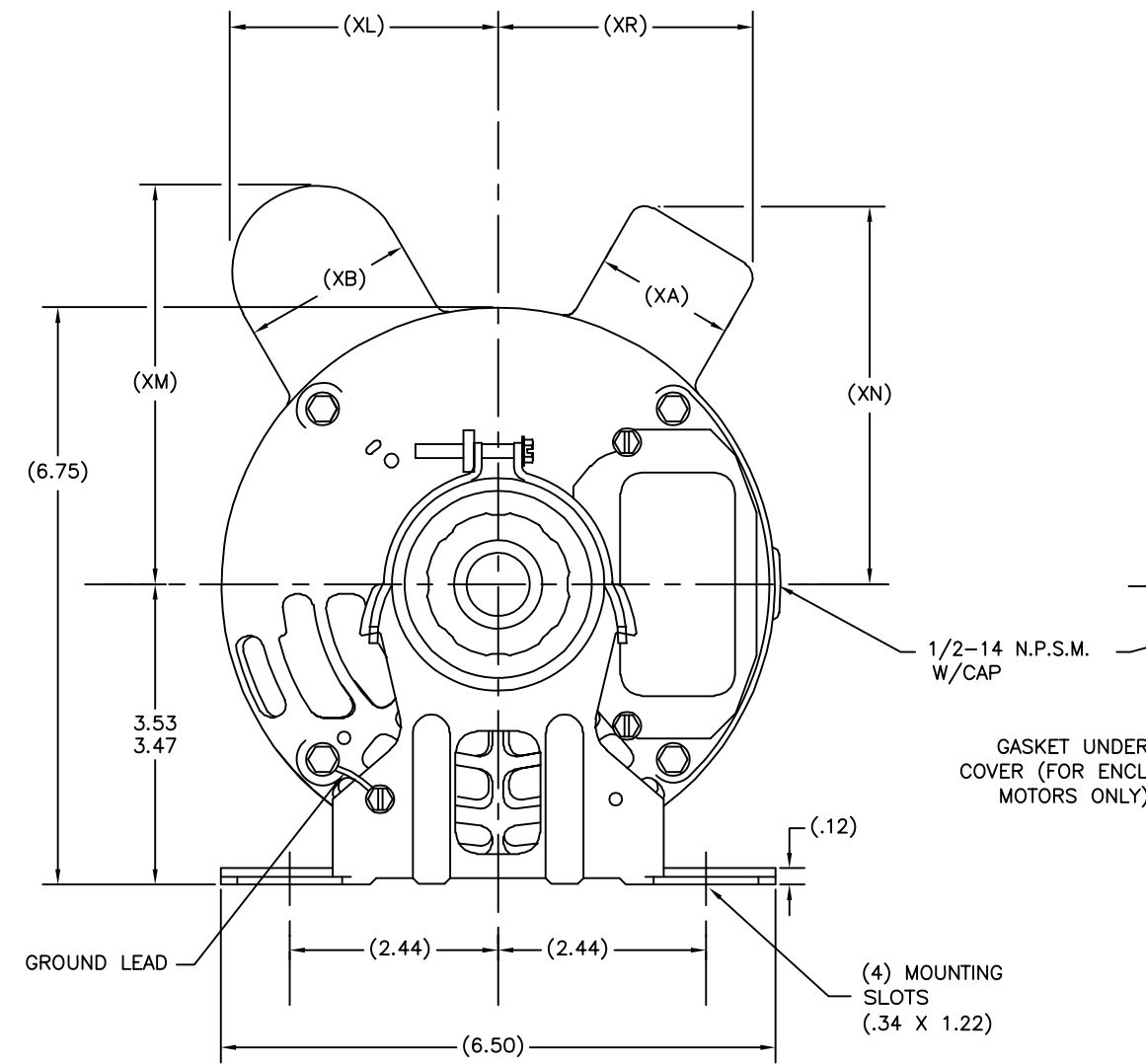
# Uncontrolled Copy

版本	ECO	编制	日期	批准	日期
G	0025372	E.SINECIO	04-13-2012	R.RASCON	04-13-2012

GROUP	FRAME	"C"	(BS)	(XA)	(XB)	(XG)	(XH)	(XL)	(XM)	(XN)	(XR)	(XT)	(XV)	(XX)
-01	J56Z	10.69	5.00	2.34	1.64	2.84	4.08	2.80	4.40	4.38	3.30	1.67	5.28	.75
-02														

**NOTES:**

- |  |   |
|--|---|
| <p>1 PILOT DIAMETER IS CONCENTRIC WITH SHAFT CENTERLINE WITHIN .004 T.I.R.</p> <p>2 FACE OF MOUNTING FLANGE IS PERPENDICULAR TO SHAFT CENTERLINE WITHIN .004 T.I.R.</p> <p>3 SHAFT RUNOUT NOT TO EXCEED .002 T.I.R.</p> <p>4 END PLAY NOT TO EXCEED .010 MEASURED WITH NO THRUST</p> | <p>5 ALL DIMENSIONS SHOWN IN PARENTHESIS ARE REFERENCE DIMENSIONS. ALL OTHER DIMENSIONS ARE TOLERANCED PER THE FOLLOWING CHART <u>UNLESS</u> OTHERWISE SPECIFIED.</p> <p>"C" DIM. = +/- .055<br/>             SHAFT EXT. = +/- .034<br/>             LEAD LENGTHS = +/- 1.00<br/>             EXTENDED THRU-BOLTS = +/- .050<br/>             ANGULAR DIMS. = +/- 2 DEGS.</p> |
|--|---|



<p>形位公差                  □ 平面度                  ⊥ 垂直度                  ∠ 倾斜度                  // 平行度                  ⊙ 圆度                  Ⓞ 圆柱度                  Ⓜ 面轮廓度                  Ⓝ 线轮廓度                  Ⓢ 圆跳动                  Ⓣ 位置度                  Ⓤ 同轴度                  ≡ 对称度</p>	<p>除另有注明                  尺寸公差如下:                  英寸 X XX XXX XXXX                  ±.1 ±.02 ±.005 ±.0005                  毫米 ±0.5 ±0.13 ±0.013                  角度 ±.50 度                  清理毛刺和尖棱                  英寸 .003-.015 毫米 0.1-0.4                  内圆角                  英寸 .020 毫米 0.5                  表面粗糙度                  英制 125 米制 3.2                  米制尺寸显示在 [ ]</p>	<p>绘图:                  批准:                  12-18-1981                  图框格式发布日期 02-22-2008                  图框格式版本 G</p> <p>第三角投影</p> <p>机密: 本图纸及相关信息所有权归REGAL-BELOIT CORPORATION                  未经REGAL-BELOIT CORPORATION书面授权, 不得泄露、                  复制、传播或作其他用途。—版权所有</p>	<p style="text-align: center;"><b>REGAL-BELOIT CORPORATION</b></p> <p style="text-align: center;">MODEL-CFHP-56FR OUTLINE</p> <p>图幅 D 图号 162008                  比例 NONE 页号 1</p>
---	---	---	---

ASME Y14.5M 1994