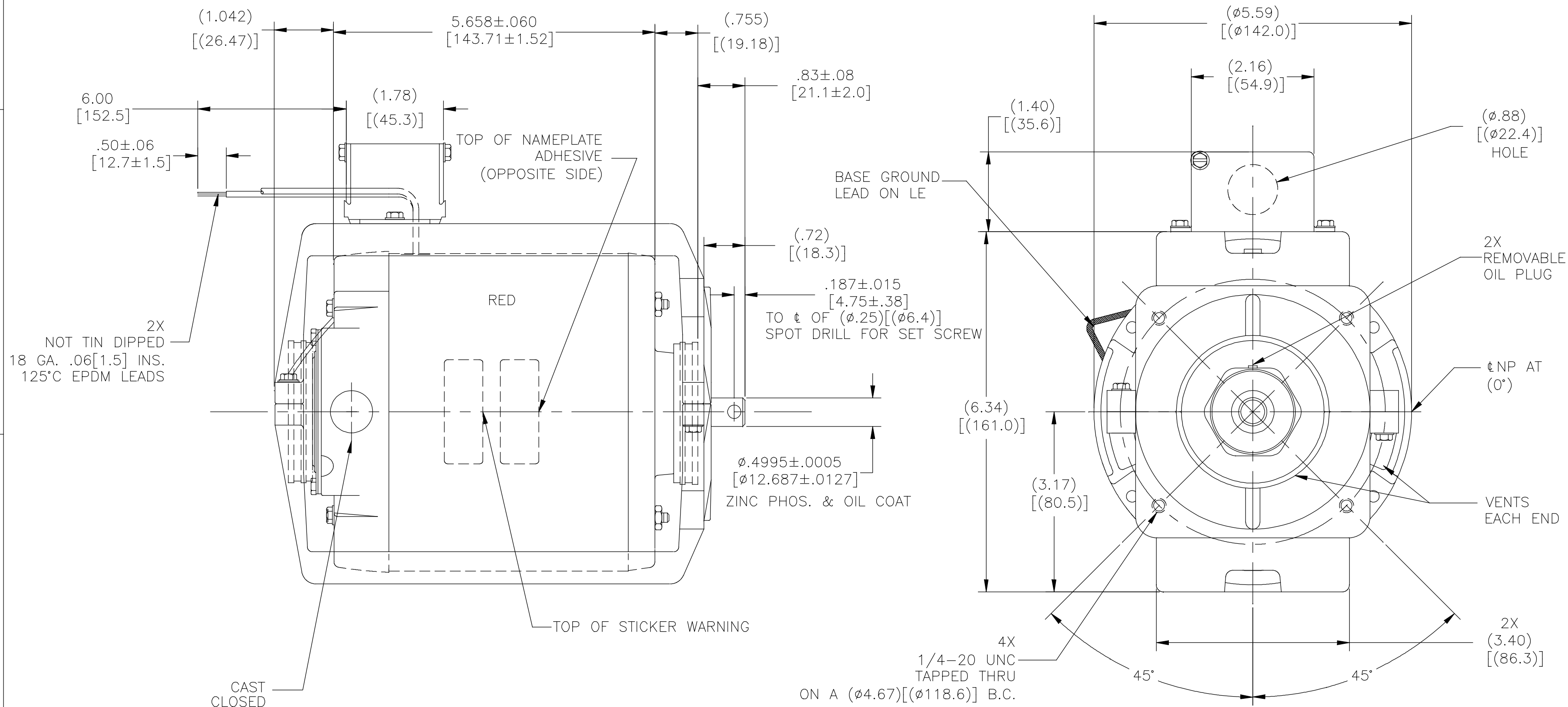


REV	ECO	REV BY	DATE	APPD	DATE
D	ECO-0152698	WENDLING	09-13-2018	WENDLING	09-13-2018



- NOTES:
1. ENVELOPE ASSEMBLY 1A038201 SHIPS WITH MOTOR.
 2. TIGHTEN RESILIENT BASE SCREWS (4) TO 63-77 IN-LBS.
 3. MAX PALLET SIZE 42.0 X 42.0 X 44.0 [1067 X 1067 X 1118] MAX HEIGHT.
 4. ENDPLAY: .04 [1.0] MAX.

<p>GEOMETRIC CHARACTERISTICS & SYMBOLS</p> <ul style="list-style-type: none"> — FLATNESS — STRAIGHTNESS ∠ ANGULARITY ⊥ PERPENDICULARITY (SQUARENESS) // PARALLELISM ○ ROUNDNESS (CIRCULARITY) ⊘ CYLINDRICITY △ PROFILE OF ANY SURFACE ⌒ PROFILE OF ANY LINE ↑ RUNOUT ⊕ TRUE POSITION ⊙ CONCENTRICITY ≡ SYMMETRY <p>ASME Y14.5M 1994</p>
--

<p>UNLESS OTHERWISE SPECIFIED DIM. TOLERANCES ARE AS FOLLOWS:</p> <p>INCH X XX XXX XXXX ±.1 ±.02 ±.005 ±.0005 mm ±0.5 ±0.13 ±0.013</p> <p>ANG. ±.50 DEG REMOVE BURRS & BREAK SHARP EDGES: INCH .003-.015 mm 0.1-0.4</p> <p>CORNER FILLETS TO: INCH .020 mm 0.5</p> <p>MACHINE SURFACES: INCH $\sqrt{3}$ mm $\sqrt{3.2}$</p> <p>METRIC DIMS. SHOWN IN [BRACKETS]</p>

DR BY:	KEYUNG.GONG	07-15-2008
APPD:	T.COLOMA	07-15-2008
THIRD ANGLE PROJECTION	EDS DATE 11-11-2011	FORMAT REV G
<p>CONFIDENTIAL: THIS DRAWING AND ITS INFORMATION ARE THE EXCLUSIVE AND CONFIDENTIAL PROPERTY OF REGAL-BELOIT CORPORATION AND ARE NOT TO BE DISCLOSED, DUPLICATED, DISTRIBUTED OR OTHERWISE USED WITHOUT THE WRITTEN CONSENT OF REGAL-BELOIT CORPORATION. -ALL RIGHTS RESERVED.</p>		

DESCRIPTION	
OUTLINE	
SIZE C	DWG NO 941L
SCALE NONE	SHEET 1