

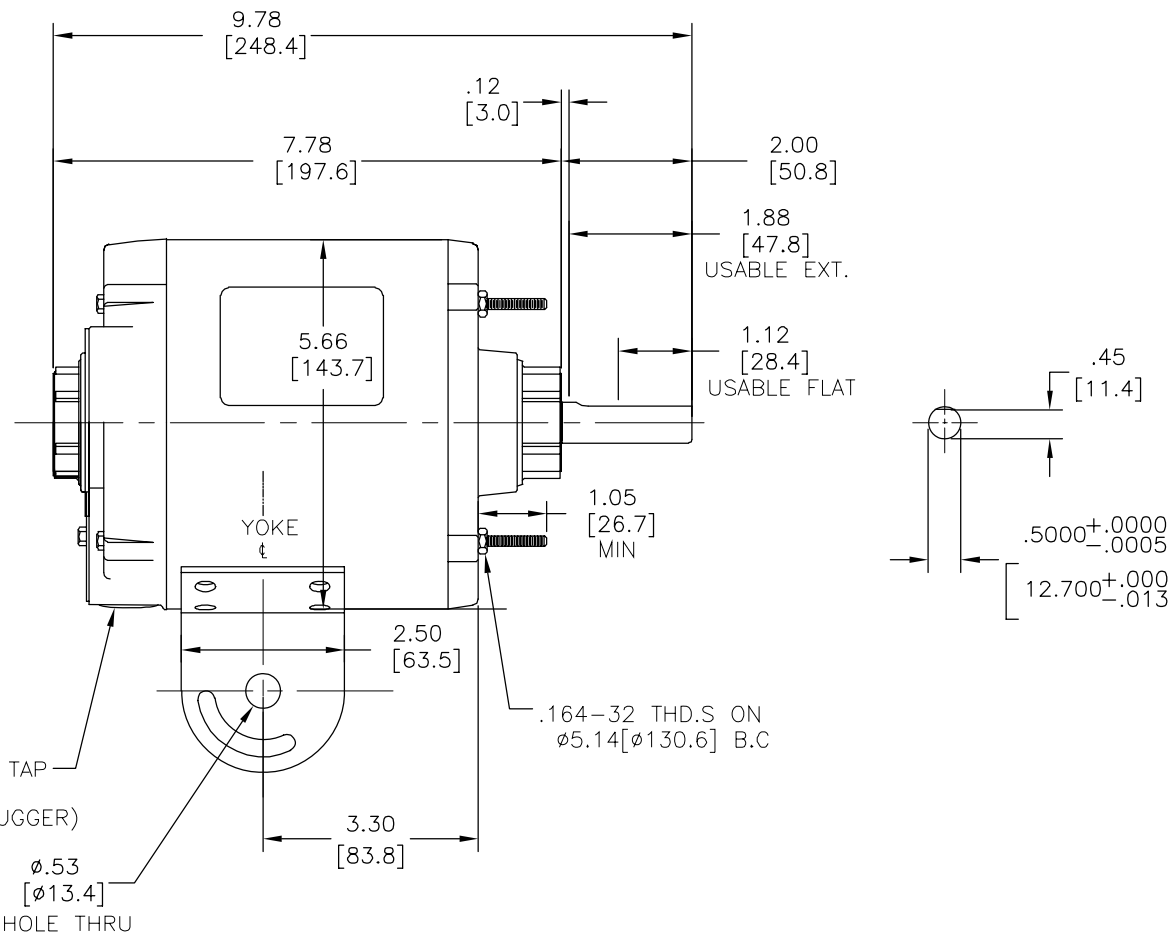
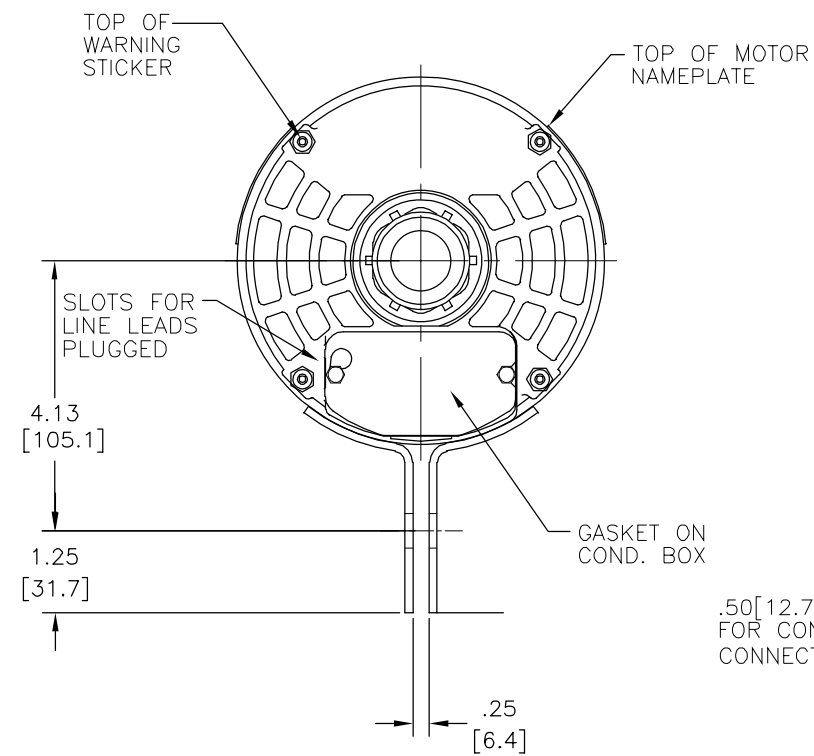
4

3

2

1

REV	ECO	REV BY	DATE	APPD	DATE
E	ECO-0037220	A.BAUGHMAN	08-20-2013	T.RILEY	08-20-2013



FRAME LENGTH REF
4.812 [122.22]

<p>GEOMETRIC CHARACTERISTICS & SYMBOLS</p> <p>▭ FLATNESS</p> <p>— STRAIGHTNESS</p> <p>∠ ANGULARITY</p> <p>⊥ PERPENDICULARITY (SQUARENESS)</p> <p>∥ PARALLELISM</p> <p>○ ROUNDNESS (CIRCULARITY)</p> <p>⊘ CYLINDRICITY</p> <p>△ PROFILE OF ANY SURFACE</p> <p>∩ PROFILE OF ANY LINE</p> <p>↗ RUNOUT</p> <p>⊕ TRUE POSITION</p> <p>◎ CONCENTRICITY</p> <p>≡ SYMMETRY</p> <p>ASME Y14.5M 1994</p>
--

REGAL-BELOIT CORPORATION (RBC) PROVIDES TECHNICAL ASSISTANCE TO OUR CUSTOMERS IN SEVERAL AREAS. SINCE RBC DOES NOT RECEIVE ALL DATA CONCERNING THE USE AND APPLICATION OF THE MOTOR, THE SUITABILITY OF THE MOTOR FOR THE APPLICATION MUST BE DETERMINED BY THE CUSTOMER.

DIMENSIONS WITHOUT TOLERANCES ARE FOR REFERENCE ONLY.

DR BY:	RHODES	08-04-1992
APPD:		
THIRD ANGLE PROJECTION		EDS DATE 11-11-2011 FORMAT REV H
CONFIDENTIAL: THIS DRAWING AND ITS INFORMATION ARE THE EXCLUSIVE AND CONFIDENTIAL PROPERTY OF REGAL-BELOIT CORPORATION AND ARE NOT TO BE DISCLOSED, DUPLICATED, DISTRIBUTED OR OTHERWISE USED WITHOUT THE WRITTEN CONSENT OF REGAL-BELOIT CORPORATION. -ALL RIGHTS RESERVED.		

		REGAL-BELOIT CORPORATION
DESCRIPTION		
MODEL-RFHP-48FR OUTLINE		
SIZE	C	DWG NO YA2020
SCALE	NONE	SHEET 1

4

3

2

1