

GENERAL INFORMATION:

SHAFT RUNOUT: .001[.03] T.I.R. PER 1.00[25.4] LENGTH OF EXTENSION

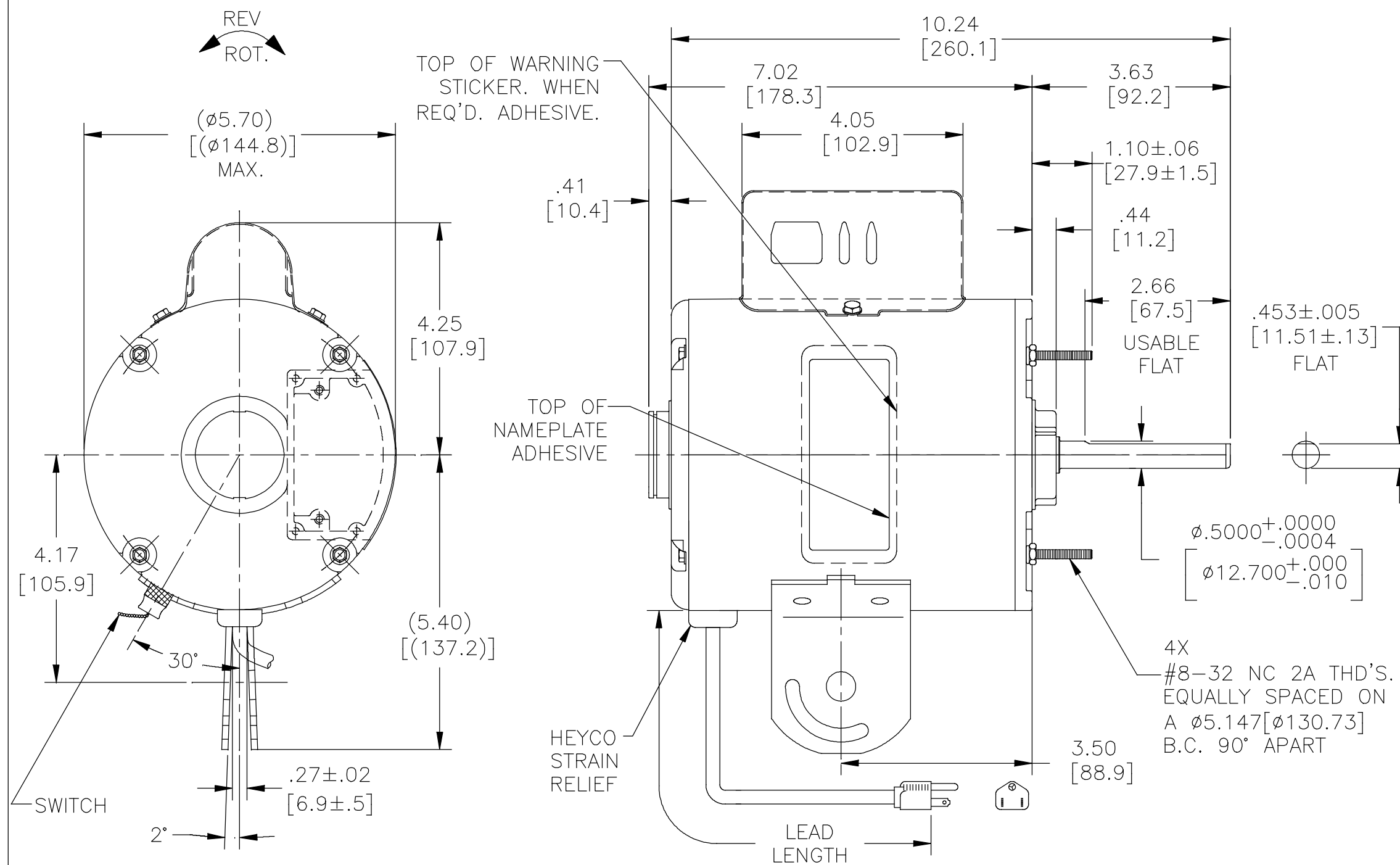
BEARINGS: BALL

MOUNTING POSITION: HORIZONTAL

ELECTRICAL DATA:

OVERLOAD PROTECTOR: AUTOMATIC RESET (T.I. 7AM 036)

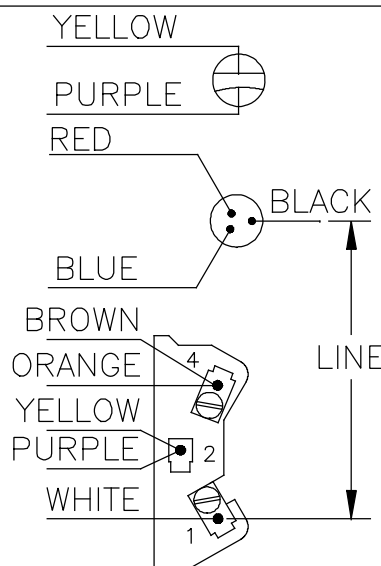
LEADS: NO. 18 GA. .03[.8] THK. XLP 125°C INSULATION



NAMEPLATE DATA:

EXTERNAL CONNECTION DIAGRAM

MODEL NO.: F48Y85A01
 CUST. P/N: 486A
 HP: 1/4
 ROT.: REV
 RPM: 1100/2SPD
 TYPE: UF
 FRAME: 48Y
 VOLTS: 115
 PH: 1
 AMPS: 3.2
 HZ: 60
 INS.: B
 AMB.: 60°C
 DUTY: AIR OVER
 CAP.: 5MFD/370V
 ENCL: ENCLOSED
 UL LOGO
 CSA LOGO
 THERMALLY PROTECTED



SHOWN FOR CCWLE ROT.
 FOR CWLE ROT. INTER-
 CHANGE BROWN AND
 YELLOW LEADS

D0000292-001

PERFORMANCE CURVE NO.	TORQUE @ 1100 RPM (25°C)	APPROVED SAMPLE	UL COMPONENT FILE #	CCN #	CSA FILE #	CLASS #
C32867	21.2 OZ. FT.	0601685A	E46412	PRGY2	LR43341	4211-01

CABLE	COLOR	LENGTH	TERMINAL OR STRIP LENGTH
3 COND. CABLE	GREEN (GRD)	11.0/13.0 [279/330]	MOLDED PLASTIC PLUG
	BLACK	11.0/13.0 [279/330]	
	WHITE	11.0/13.0 [279/330]	
EXT. INTO TERMINAL BOARD	YELLOW	6.0/7.0 [152/178]	.25[6.4] FLAG (BOTH ENDS)
	WHITE	6.0/7.0 [152/178]	.25[6.4] FLAG
	BROWN	6.0/7.0 [152/178]	.25[6.4] FLAG
	ORANGE	6.0/7.0 [152/178]	.25[6.4] FLAG
	PURPLE	6.0/7.0 [152/178]	.25[6.4] FLAG
	BLUE	4.0/5.0 [101/127]	.31[7.9] SKIN (TIN DIPPED)
	RED	4.0/5.0 [101/127]	.31[7.9] SKIN (TIN DIPPED)

NOTE:

- (4) LOCKWASHERS 20PS8-B3
- (8) SPACERS 24P302-1-3
- (4) HEX NUTS 368C210H05
- TO BE PUT IN POLY BAG A SHIPPED SEPARATE IN EACH CARTON.

REGAL-BELOIT CORPORATION (RBC) PROVIDES TECHNICAL ASSISTANCE TO OUR CUSTOMERS IN SEVERAL AREAS. SINCE RBC DOES NOT RECEIVE ALL DATA CONCERNING THE USE AND APPLICATION OF THE MOTOR, THE SUITABILITY OF THE MOTOR FOR THE APPLICATION MUST BE DETERMINED BY THE CUSTOMER.

DIMENSIONS WITHOUT TOLERANCES ARE FOR REFERENCE ONLY.

MAIN FRAME - OLE	ENCLOSED
END FRAME - OLE	ENCLOSED
MAIN FRAME - LE	ENCLOSED
END FRAME - LE	ENCLOSED

CUSTOMER DISTRIBUTION SERVICES

DRAWING REVISION	REVISION BY	DATE
D	CADDIE.ZHOU	09-27-2017
ECO	APPROVED BY DEXIAN.LI	DATE 09-27-2017
ECO-0131874		
ECO DESCRIPTION		
UPDATE LOGO		

COPYRIGHT REGAL-BELOIT AMERICA, INC. ALL RIGHTS RESERVED. PROPRIETARY AND CONFIDENTIAL INFORMATION - THIS DOCUMENT IS THE PROPERTY OF REGAL-BELOIT AMERICA, INC. (OWNER) AND CONTAINS OWNER'S PROPRIETARY INFORMATION. ANY PERSON, CORPORATION OR OTHER FIRM RECEIVING IT IS DEEMED, BY RECEIVING IT, TO AGREE THAT IT, AND/OR ANY PART OF IT, SHALL NOT BE DISCLOSED TO ANY PERSON, CORPORATION OR OTHER ENTITY, DUPLICATED, AND/OR USED, EXCEPT AS EXPRESSLY APPROVED IN WRITING IN ADVANCE BY OWNER. THIS DOCUMENT SHALL BE RETURNED TO OWNER UPON REQUEST. IT MAY BE SUBJECT TO CERTAIN RESTRICTIONS UNDER APPLICABLE EXPORT CONTROL LAWS AND REGULATIONS.

DRAWN BY: GALVIDREZ	DATE: 05-03-2011
APPROVED BY:	DATE:
PROCESS/FINISH:	MATERIAL:
THIRD ANGLE PROJECTION	SIZE DWG NO: C

REGAL™ Regal Beloit America, Inc.	
DESCRIPTION: MODEL-RFHP-48FR OUTLINE	
SIZE DWG NO: C	486A
SHEET	1