

GENERAL INFORMATION:

SHAFT RUNOUT: .001 [.03] T.I.R. PER INCH LENGTH OF EXTENSION

BEARINGS: BALL

MOUNTING POSITION: VERTICAL SHAFT UP

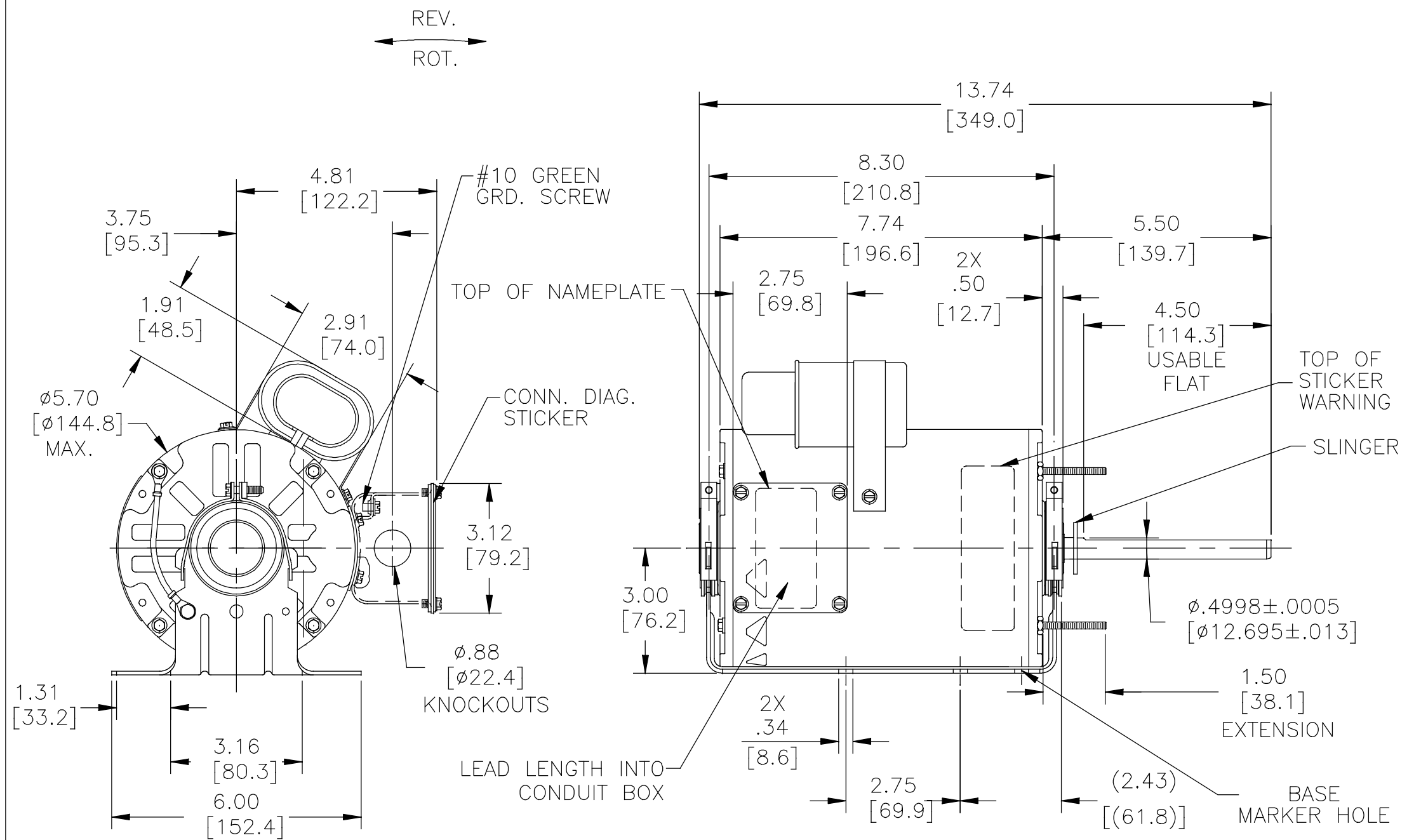
ELECTRICAL DATA:

OVERLOAD PROTECTOR: AUTOMATIC RESET T.I. 7AM 036

LEADS: NO. 18 GA., .03[.8] THK., 125°C INSUL.

GROUND LEAD: NO. 18 GA., .03 [.8] THK., GREEN INSUL.

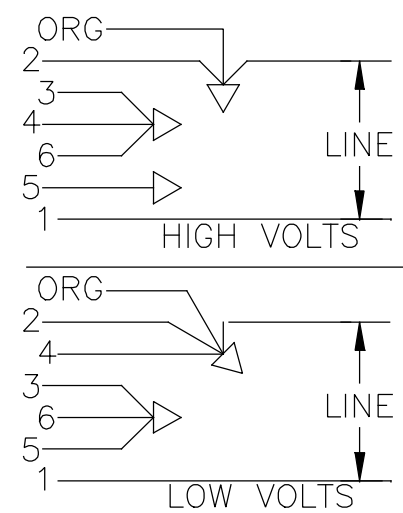
NOTE:
1. DISTRIBUTION PART NUMBER: FB1076V1
GRAINGER PART NUMBER: 4MA35



NAMEPLATE DATA:

MODEL NO: F48U91A01
CUST. P/N: []
HP: 3/4
ROT.: REVERSIBLE
RPM: 1075
TYPE: UF
FRAME: 48Y
VOLTS: 208-230/460
PH: 1
AMPS: 5.0/2.5MAX.(6.0/3.0)
HZ: 60
INS.: B
AMB: 60°C
DUTY: AIR OVER
CAP: 17.5 MFD/370 V
UL & CSA LOGO
THERMALLY PROTECTED
ENCLOSURE: SEMI-ENCL

EXTERNAL CONNECTION DIAGRAM



SHOWN FOR CCWLE
ROT. FOR CWLE ROT.
INTERCHANGE NO.6
AND ORANGE LEADS.

614131-122

COLOR	LENGTH	TERMINAL OR STRIP LENGTH
GREEN (GRD)	CONNECTED TO BASE	#8 EYELET
ORANGE	CONNECTED TO CAPACITOR	.25[6.4] FLAG
BROWN	CONNECTED TO CAPACITOR	.25[6.4] FLAG
ORANGE	6/7 [152/178]	.50[12.7] SKIN
RED 1	6/7 [152/178]	.50[12.7] SKIN
RED 2	6/7 [152/178]	.50[12.7] SKIN
RED 3	6/7 [152/178]	.50[12.7] SKIN
YELLOW 4	6/7 [152/178]	.50[12.7] SKIN
YELLOW 5	6/7 [152/178]	.50[12.7] SKIN
YELLOW 6	6/7 [152/178]	.50[12.7] SKIN

PERFORMANCE CURVE NO.	TORQUE @ 1075 RPM (25°C)	APPROVED SAMPLE	UL COMPONENT FILE #	GUIDE #	CSA FILE #	GUIDE #
C23774	77.9 OZ. FT.	EX11805-1	E46412	PRGY2	LR43341	260-φ-0

MAIN FR. - OLE	ENCLOSED
END FR. - OLE	ENCLOSED
MAIN FR. - LE	SEMI-ENCL.
END FR. - LE	OPEN

CUST.	DISTRIBUTION SERVICES
-------	-----------------------

DRAWING REVISION	REVISION BY	DATE
F	HANNA.ZOU	12-26-2018
ECO	APPROVED BY	DATE
ECO-0158916	Tricia Niederholtmeyer	12-26-2018

ECO DESCRIPTION
SEE ECO

COPYRIGHT REGAL BELOIT AMERICA, INC. ALL RIGHTS RESERVED. PROPRIETARY AND CONFIDENTIAL INFORMATION - THIS DOCUMENT IS THE PROPERTY OF REGAL BELOIT AMERICA, INC. (OWNER) AND CONTAINS OWNER'S PROPRIETARY INFORMATION. ANY PERSON, CORPORATION OR OTHER FIRM RECEIVING IT IS DEEMED, BY RECEIVING IT, TO AGREE THAT IT, AND/OR ANY PART OF IT, SHALL NOT BE DISCLOSED TO ANY PERSON, CORPORATION OR OTHER ENTITY, DUPLICATED, AND/OR USED, EXCEPT AS EXPRESSLY APPROVED IN WRITING IN ADVANCE BY OWNER. THIS DOCUMENT SHALL BE RETURNED TO OWNER UPON REQUEST. IT MAY BE SUBJECT TO CERTAIN RESTRICTIONS UNDER APPLICABLE EXPORT CONTROL LAWS AND REGULATIONS.

ENCLOSURE

DRAWN BY:
GORDON
DATE:
07-29-2004
APPROVED BY:
DATE:
PROCESS/FINISH

REGAL™ Regal Beloit America, Inc.
DESCRIPTION
MODEL-RFHP-48FR
OUTLINE
MATERIAL

THIRD ANGLE PROJECTION
SIZE DWG NO
C 12370-003
SHEET 1