

4

3

2

1

GENERAL INFORMATION:

SHAFT RUNOUT: .001[.03] T.I.R. PER INCH LENGTH OF EXTENSION

BEARINGS: BALL

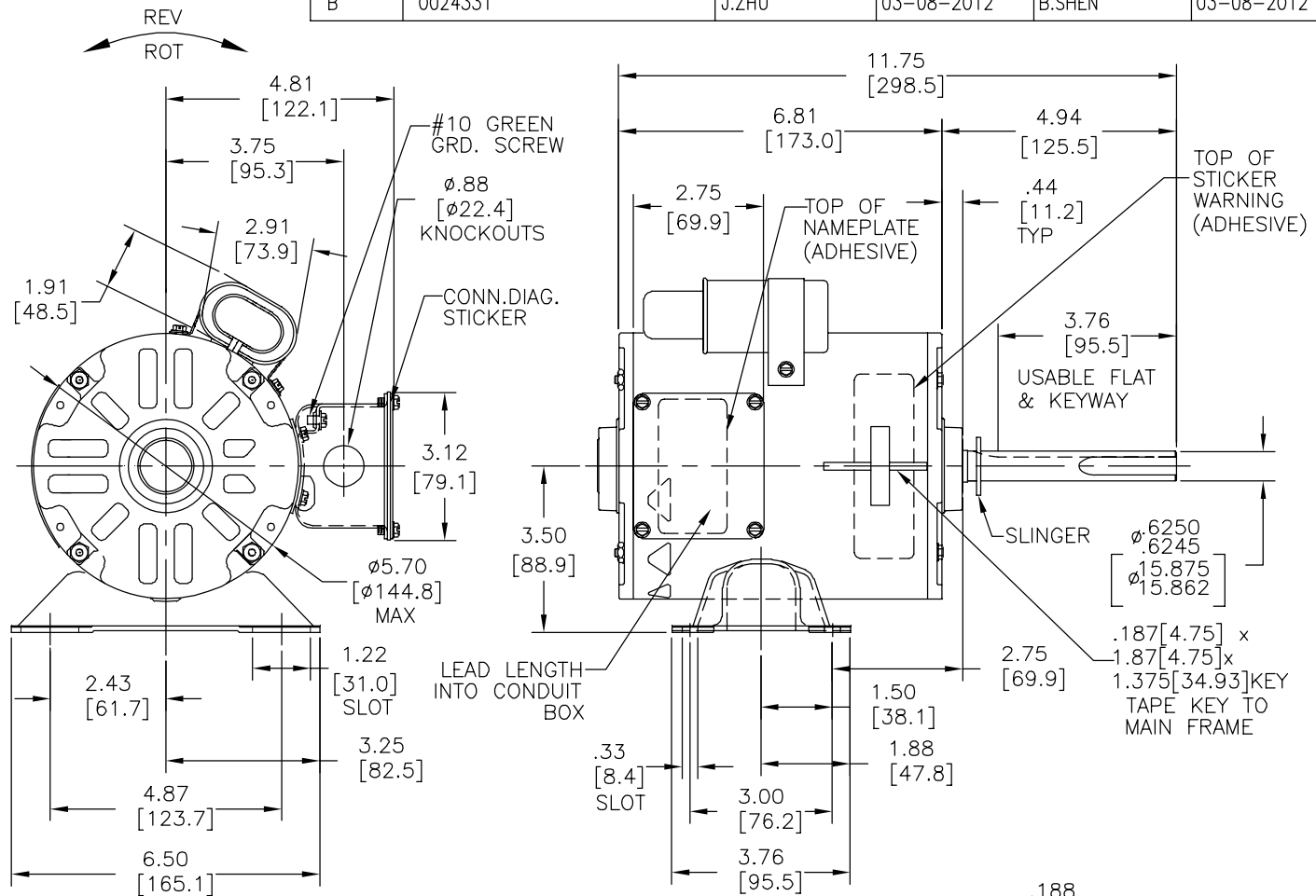
MOUNTING POSITION: HORIZONTAL/VERTICLE SHAFT UP

ELECTRICAL DATA:

OVERLOAD PROTECTOR: AUTOMATIC RESET (T.I. 7AM 036)

LEADS: NO. 18 GA., .03[.8] THK., 125°C INSUL.

REV	ECO	REV BY	DATE	APPD	DATE
B	0024331	J.ZHU	03-08-2012	B.SHEN	03-08-2012

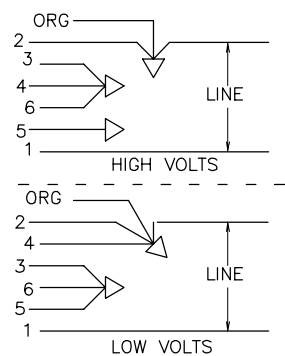


ORANGE	CONNECTED TO CAPACITOR	.25[6.4] FLAG
BROWN	CONNECTED TO CAPACITOR	.25[6.4] FLAG
ORANGE	6.0/7.0 [152/178]	.50[12.7] SKIN
RED 1	6.0/7.0 [152/178]	.50[12.7] SKIN
RED 2	6.0/7.0 [152/178]	.50[12.7] SKIN
RED 3	6.0/7.0 [152/178]	.50[12.7] SKIN
YELLOW 4	6.0/7.0 [152/178]	.50[12.7] SKIN
YELLOW 5	6.0/7.0 [152/178]	.50[12.7] SKIN
YELLOW 6	6.0/7.0 [152/178]	.50[12.7] SKIN
COLOR	LENGTH	TERMINAL OR STRIP LENGTH

NAMEPLATE DATA:

EXTERNAL CONNECTION DIAGRAM

MODEL NO.: F48SU6V14
 CUST. P/N: FR1076
 HP: 3/4
 ROT.: REVERSIBLE
 RPM: 1075
 TYPE: UF
 FRAME: 48Y
 VOLTS: 208-230/460
 PH: 1
 AMPS: 5.0/2.5 MAX AMPS:6.0/3.0
 HZ: 60
 INS.: B
 AMB.: 60° C
 DUTY: AIR OVER
 CAP.: 17.5 MFD/370V
 ENCL: SEMI-ENCL
 UL LOGO
 CSA LOGO
 THERMALLY PROTECTED



SHOWN FOR CCWLE ROT. FOR CWLE ROT. INTERCHANGE NO.6 AND ORANGE LEADS.

614131-122

PERFORMANCE CURVE NO.	TORQUE @ 1075 RPM (25°C)	APPROVED SAMPLE	UL COMPONENT		CSA	
C23774	77.9 OZ. FT.	EX11805-1	FILE #	CCN #	FILE #	CLASS #
			E46412	PRGY2	LR43341	4211-01

GEOMETRIC CHARACTERISTICS & SYMBOLS
 □ FLATNESS
 — STRAIGHTNESS
 ∠ ANGULARITY
 ⊥ PERPENDICULARITY (SQUARENESS)
 // PARALLELISM
 ○ ROUNDNESS (CIRCULARITY)
 ∅ CYLINDRICITY
 △ PROFILE OF ANY SURFACE
 ∩ PROFILE OF ANY LINE
 ↑ RUNOUT
 ⊕ TRUE POSITION
 ⊙ CONCENTRICITY
 = SYMMETRY
 ASME Y14.5M 1994

REGAL-BELOIT CORPORATION (RBC) PROVIDES TECHNICAL ASSISTANCE TO OUR CUSTOMERS IN SEVERAL AREAS. SINCE RBC DOES NOT RECEIVE ALL DATA CONCERNING THE USE AND APPLICATION OF THE MOTOR, THE SUITABILITY OF THE MOTOR FOR THE APPLICATION MUST BE DETERMINED BY THE CUSTOMER.

DIMENSIONS WITHOUT TOLERANCES ARE FOR REFERENCE ONLY.

DR BY: J.ZHU 03-08-2012

APPD: B.SHEN 03-08-2012

THIRD ANGLE PROJECTION EDS DATE 11-11-2011
 FORMAT REV G

CONFIDENTIAL: THIS DRAWING AND ITS INFORMATION ARE THE EXCLUSIVE AND CONFIDENTIAL PROPERTY OF REGAL-BELOIT CORPORATION AND ARE NOT TO BE DISCLOSED, DUPLICATED, DISTRIBUTED OR OTHERWISE USED WITHOUT THE WRITTEN CONSENT OF REGAL-BELOIT CORPORATION. -ALL RIGHTS RESERVED.

MAIN FRAME - OLE	ENCLOSED
END FRAME - OLE	ENCLOSED
MAIN FRAME - LE	SEMI-ENCLOSED
END FRAME - LE	OPEN

CUSTOMER	DISTRIBUTION SERVICE
----------	----------------------



DESCRIPTION	
MODEL-RFHP-48FR OUTLINE	
SIZE	DWG NO
C	FR1076
SCALE	SHEET
NONE	1

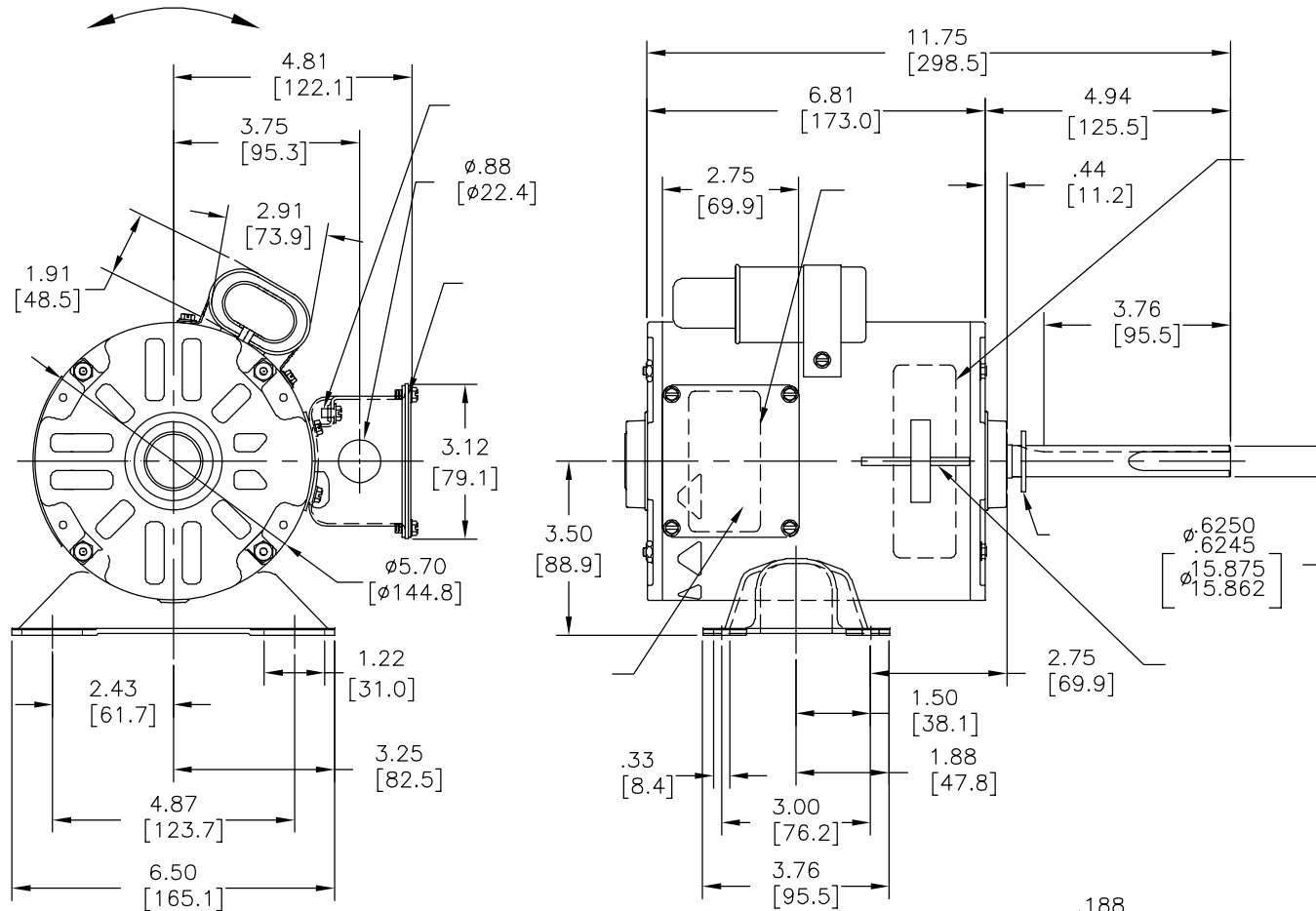
4

3

2

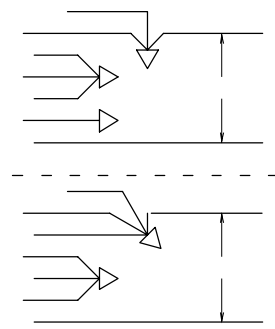
1

REVISION:	ECO	REVISADO POR:	FECHA:	APROBADO POR:	FECHA:
B	0024331	J.ZHU	03-08-2012	B.SHEN	03-08-2012



		.25[6.4] FLAG
		.25[6.4] FLAG
6.0/7.0 [152/178]		.50[12.7] SKIN
6.0/7.0 [152/178]		.50[12.7] SKIN
6.0/7.0 [152/178]		.50[12.7] SKIN
6.0/7.0 [152/178]		.50[12.7] SKIN
6.0/7.0 [152/178]		.50[12.7] SKIN
6.0/7.0 [152/178]		.50[12.7] SKIN
6.0/7.0 [152/178]		.50[12.7] SKIN
6.0/7.0 [152/178]		.50[12.7] SKIN

MODEL NO.: F48SU6V14
 CUST. P/N: FR1076
 HP: 3/4
 ROT.: REVERSIBLE
 RPM: 1075
 TYPE: UF
 FRAME: 48Y
 VOLTS: 208-230/460
 PH: 1
 AMPS: 5.0/2.5 MAX AMPS:6.0/3.0
 HZ: 60
 INS.: B
 AMB.: 60° C
 DUTY: AIR OVER
 CAP.: 17.5 MFD/370V
 ENCL: SEMI-ENCL
 UL LOGO
 CSA LOGO
 THERMALLY PROTECTED



614131-122

C23774	77.9 OZ. FT.	EX11805-1	E46412	PRGY2	LR43341	4211-01
--------	--------------	-----------	--------	-------	---------	---------

CARACTERISTICAS DE GEOMETRIA Y SIMBOLOS
 ▧ PLANICIDAD
 - RECTITUD
 < ANGULARIDAD
 ⊥ PERPENDICULARIDAD (A ESCUADRA)
 // PARALELISMO
 ○ REDONDEZ (CIRCULARIDAD)
 ∅ CILINDRICIDAD
 △ PERFIL DE CUALQUIER SUPERFICIE
 ∩ PERFIL DE CUALQUIER LINEA
 ↗ VARIACION
 ⊕ POSICION REAL
 ⊙ CONCENTRICIDAD
 = SIMETRIA
 ASME Y14.5M 1994

REGAL-BELOIT CORPORATION (RBC)
 PROVEE ASISTENCIA TECNICA A
 NUESTROS CLIENTES EN VARIAS AREAS.
 DESDE QUE RBC NO RECIBE TODOS
 LOS DATOS EN RELACION AL USO Y A
 LA APLICACION DEL MOTOR, LA
 APLICACION ADECUADA DEL MOTOR
 DEBE SER DETERMINADA POR EL
 CLIENTE.

DIMENSIONES SIN TOLERANCIA SON
 DE REFERENCIA SOLAMENTE

DIBUJADO POR:
 J.ZHU
 APROBADO POR:
 B.SHEN

03-08-2012

TERCER ANGULO
 DE PROYECCION



FECHA EDS: 11-11-2011
 REV. FORMATO: G

CONFIDENCIAL: ESTE DIBUJO Y SU INFORMACION
 SON PROPIEDAD DE USO EXCLUSIVO Y CONFIDENCIAL DE
 REGAL-BELOIT CORPORATION. Y NO DEBERAN SER REVELADOS,
 DUPLICADOS, DISTRIBUIDOS O USARSE DE OTRA MANERA
 SIN EL CONSENTIMIENTO ESCRITO DE REGAL-BELOIT
 CORPORATION. -TODOS LOS DERECHOS RESERVADOS.



DESCRIPCION:

MODEL-RFHP-48FR
 OUTLINE

TAMAÑO: C

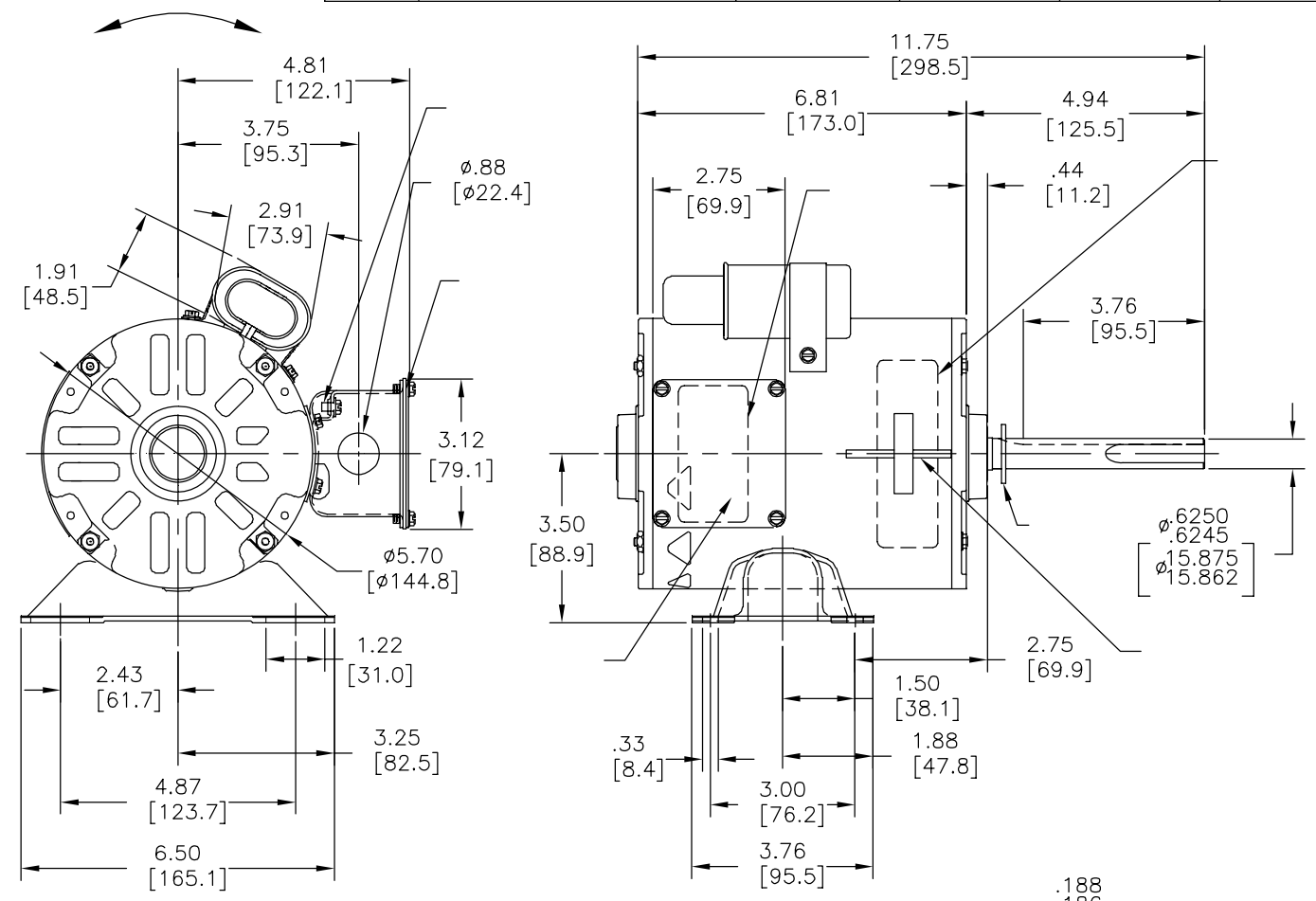
NUMERO DE DIBUJO:
 FR1076

ESCALA:NONE

HOJA: 1

4 3 2 1

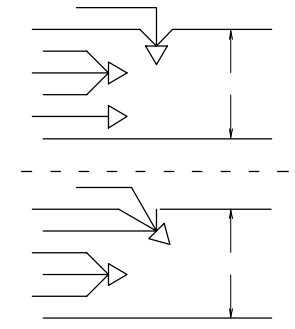
版本	ECO	编制	日期	批准	日期
B	0024331	J.ZHU	03-08-2012	B.SHEN	03-08-2012



		.25[6.4] FLAG
		.25[6.4] FLAG
6.0/7.0 [152/178]		.50[12.7] SKIN
6.0/7.0 [152/178]		.50[12.7] SKIN
6.0/7.0 [152/178]		.50[12.7] SKIN
6.0/7.0 [152/178]		.50[12.7] SKIN
6.0/7.0 [152/178]		.50[12.7] SKIN
6.0/7.0 [152/178]		.50[12.7] SKIN
6.0/7.0 [152/178]		.50[12.7] SKIN
6.0/7.0 [152/178]		.50[12.7] SKIN

MODEL NO.: F48SU6V14
 CUST. P/N: FR1076
 HP: 3/4
 ROT.: REVERSIBLE
 RPM: 1075
 TYPE: UF
 FRAME: 48Y
 VOLTS: 208-230/460
 PH: 1
 AMPS: 5.0/2.5 MAX AMPS:6.0/3.0
 HZ: 60
 INS.: B
 AMB.: 60° C
 DUTY: AIR OVER
 CAP.: 17.5 MFD/370V
 ENCL: SEMI-ENCL
 UL LOGO
 CSA LOGO
 THERMALLY PROTECTED

614131-122



C23774	77.9 OZ. FT.	EX11805-1	E46412	PRGY2	LR43341	4211-01
--------	--------------	-----------	--------	-------	---------	---------

形位公差	REGAL-BELOIT CORPORATION	绘图:	J.ZHU	03-08-2012
□ 平面度	(RBC)在个别领域为客户	批准:	B.SHEN	03-08-2012
— 直线度	提供技术支持。鉴于RBC	第三角投影	图纸格式发布日期 11-11-2011 图纸格式版本 G	
∠ 倾斜度	未收到任何涉及电机使用	机密: 本图纸及相关信息所有权归REGAL-BELOIT CORPORATION	名称 MODEL-RFHP-48FR OUTLINE	
⊥ 垂直度	和应用环境的数据, 电机的适用性	未经REGAL-BELOIT CORPORATION书面授权, 不得泄露、	图幅	C
∥ 平行度	由客户自己决定。	复制或作其他用途。一版权所有	图号	FR1076
○ 圆度	未注公差尺寸仅供参考。		比例	NONE
⊘ 圆柱度			页号	1
⊙ 面轮廓度				
△ 线轮廓度				
⌒ 圆跳动				
⊕ 位置度				
⊙ 同轴度				
≡ 对称度				

ASME Y14.5M 1994	REGAL-BELOIT CORPORATION	名称	MODEL-RFHP-48FR OUTLINE
	(RBC)在个别领域为客户	图幅	C
	提供技术支持。鉴于RBC	图号	FR1076
	未收到任何涉及电机使用	比例	NONE
	和应用环境的数据, 电机的适用性	页号	1
	由客户自己决定。		
	未注公差尺寸仅供参考。		

REGAL-BELOIT CORPORATION	
名称	MODEL-RFHP-48FR OUTLINE
图幅	C
图号	FR1076
比例	NONE
页号	1

4 3 2 1