

GENERAL INFORMATION:

SHAFT RUNOUT: .001 [.03] T.I.R. PER INCH LENGTH OF EXTENSION

BEARINGS: BALL

MOUNTING POSITION: VERTICAL SHAFT UP

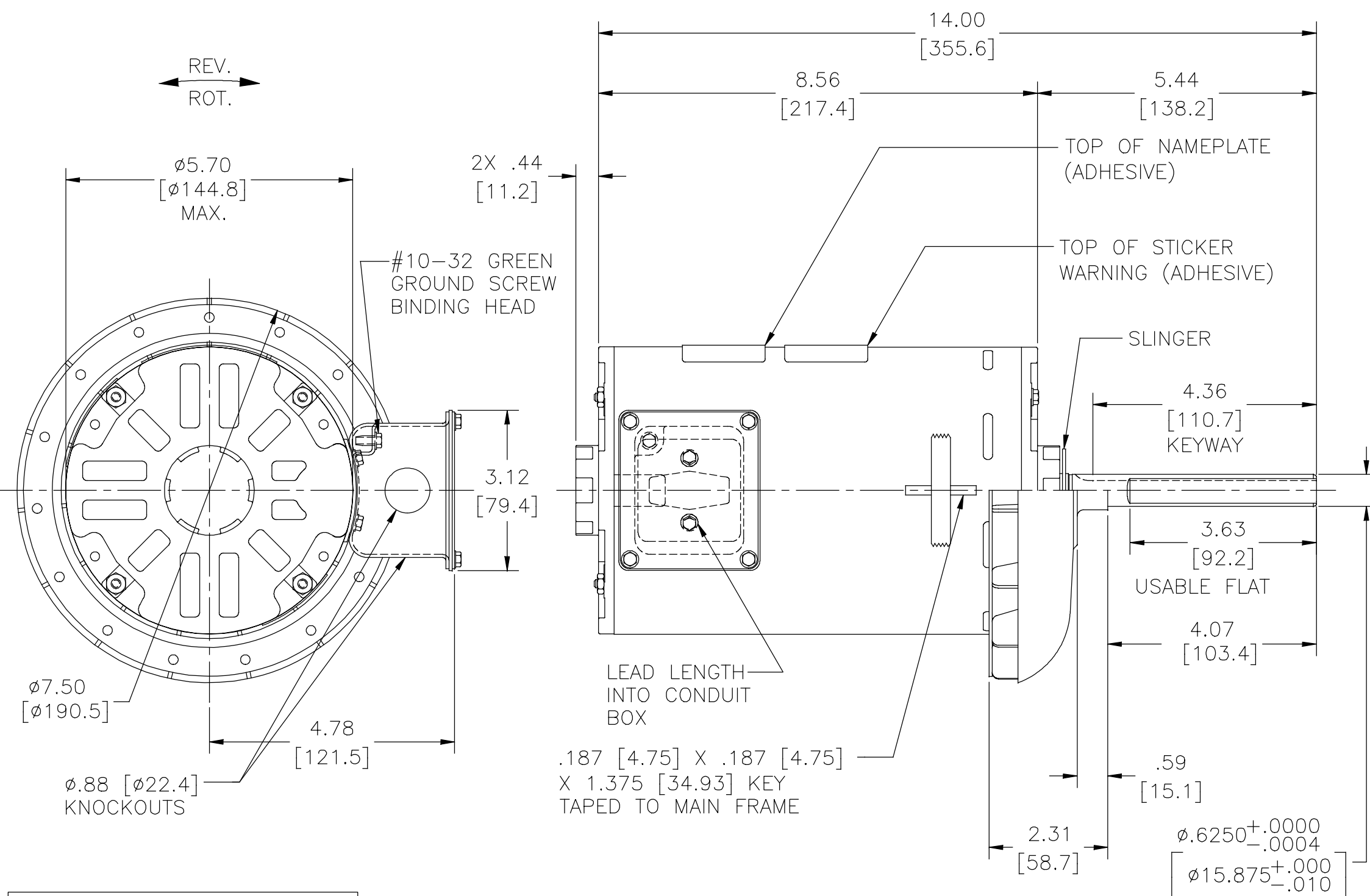
ELECTRICAL DATA:

OVERLOAD PROTECTOR: AUTOMATIC RESET (SESPNCER SKMWJ68JR)

LEADS: NO. 18 GA., .03 [.8] THK. XLP 125°C INSUL.

NAMEPLATE DATA:	EXTERNAL CONNECTION DIAGRAM
MODEL NO.: P48ST6V2A1 CUST. P/N: 5FC3076 HP: 3/4 ROT.: REVERSIBLE RPM: 1140 TYPE: UP FRAME: 48Y VOLTS: 575 PH: 3 AMPS: 1.5 HZ: 60 INS.: B AMB.: 60° C DUTY: AIR OVER CAP.: - ENCL: SEMI-ENCL. UL LOGO CSA LOGO THERMALLY PROTECTED	<p>THREE PHASE MOTOR</p>
PERMANENTLY LUBRICATED BEARINGS	
614131-290	

PERFORMANCE CURVE NO.	TORQUE @ 1140 RPM (25°C)	APPROVED SAMPLE	UL COMPONENT FILE #	CCN #	CSA FILE #	CLASS #
C19872	3.7 LB. FT.	EX10031	E46412	PRGY2	LR43341	4211-01



REGAL-BELOIT CORPORATION (RBC) PROVIDES TECHNICAL ASSISTANCE TO OUR CUSTOMERS IN SEVERAL AREAS. SINCE RBC DOES NOT RECEIVE ALL DATA CONCERNING THE USE AND APPLICATION OF THE MOTOR, THE SUITABILITY OF THE MOTOR FOR THE APPLICATION MUST BE DETERMINED BY THE CUSTOMER.

DIMENSIONS WITHOUT TOLERANCES ARE FOR REFERENCE ONLY.

RED	LENGTH	TERMINAL OR STRIP LENGTH
RED (1)	4.0/6.0 [102/152]	.50 [12.7] SKIN
RED (2)	4.0/6.0 [102/152]	.50 [12.7] SKIN
RED (3)	4.0/6.0 [102/152]	.50 [12.7] SKIN

LEAD DATA

DRAWING REVISION	REVISION BY	DATE
K	JERRY CHAI	10-07-2018
ECO	APPROVED BY	DATE
ECO-0153631	Tricia.Niederholtmeyer	10-07-2018
ECO DESCRIPTION		
SEE ECO		

COPYRIGHT REGAL-BELOIT AMERICA, INC. ALL RIGHTS RESERVED. PROPRIETARY AND CONFIDENTIAL INFORMATION - THIS DOCUMENT IS THE PROPERTY OF REGAL-BELOIT AMERICA, INC. (OWNER) AND CONTAINS OWNER'S PROPRIETARY INFORMATION. ANY PERSON, CORPORATION OR OTHER FIRM RECEIVING IT IS DEEMED, BY RECEIVING IT, TO AGREE THAT IT, AND/OR ANY PART OF IT, SHALL NOT BE DISCLOSED TO ANY PERSON, CORPORATION OR OTHER ENTITY, DUPLICATED, AND/OR USED, EXCEPT AS EXPRESSLY APPROVED IN WRITING IN ADVANCE BY OWNER. THIS DOCUMENT SHALL BE RETURNED TO OWNER UPON REQUEST. IT MAY BE SUBJECT TO CERTAIN RESTRICTIONS UNDER APPLICABLE EXPORT CONTROL LAWS AND REGULATIONS.

MAIN FRAME - OLE	OPEN
END FRAME - OLE	OPEN
MAIN FRAME - LE	ENCLOSED
END FRAME - LE	OPEN

CUSTOMER	DISTRIBUTION SERVICE

DRAWN BY: J.ZHU	<b>REGAL™</b> Regal Beloit America, Inc.
DATE: 04-07-2012	
APPROVED BY: B.SHEN	
DATE: 04-07-2012	
REFERENCE	DESCRIPTION
	MODEL-RFHP-48FR OUTLINE
THIRD ANGLE PROJECTION	MATERIAL
	PROCESS/FINISH
SIZE DWG NO	
C	5FC3076
	SHEET
	1