

总技术要求:

轴跳动: .001 [.03]/1 [25.4] 外伸轴

轴承: 球轴承

安装位置: 转轴朝下

电气数据:

过载保护: 自动复位 (SPENCER MWJ68JR)

引线: 18# (美制标准), 厚.03 [.8] XLP 125° C 绝缘

铭牌数据	外部数据线
MODEL NO.: P48A94A01 CUST. P/N: FC3076F HP: 3/4 ROT.: REVERSIBLE RPM: 1140 TYPE: UAP FRAME: 48Y VOLTS: 200-230/460 PH: 3 AMPS: 4.0/2.0 HZ: 60 INS.: F AMB.: 70° C DUTY: AIR OVER CAP.: - ENCL: OPEN UL LOGO CSA LOGO THERMALLY PROTECTED TYPE T	<p>高压</p> <p>⑩ ④ ⑦ ① L1</p> <p>⑪ ⑤ ⑧ ② L2</p> <p>⑫ ⑥ ⑨ ③ L3</p> <p>低压</p> <p>⑩ ④ ⑦ ① L1</p> <p>⑪ ⑤ ⑧ ② L2</p> <p>⑫ ⑥ ⑨ ③ L3</p> <p>614131-045</p>

颜色	长度	端子或剥线长度
红 (1)	5.0/7.0 [127/178]	.50 [12.7] 剥皮
红 (2)	5.0/7.0 [127/178]	.50 [12.7] 剥皮
红 (3)	5.0/7.0 [127/178]	.50 [12.7] 剥皮
黄 (4)	5.0/7.0 [127/178]	.50 [12.7] 剥皮
黄 (5)	5.0/7.0 [127/178]	.50 [12.7] 剥皮
黄 (6)	5.0/7.0 [127/178]	.50 [12.7] 剥皮
蓝 (7)	5.0/7.0 [127/178]	.50 [12.7] 剥皮
蓝 (8)	5.0/7.0 [127/178]	.50 [12.7] 剥皮
蓝 (9)	5.0/7.0 [127/178]	.50 [12.7] 剥皮
黑 (10)	5.0/7.0 [127/178]	.50 [12.7] 剥皮
黑 (11)	5.0/7.0 [127/178]	.50 [12.7] 剥皮
黑 (12)	5.0/7.0 [127/178]	.50 [12.7] 剥皮

无引线端机壳	开放
无引线端端盖	开放
有引线端机壳	开放
有引线端端盖	开放

性能曲线编号	转矩在 1140 RPM @ 25° C	批准样品	UL部件	CSA
C17809	66.8 OZ. FT.	0701415A	文件号 指南	文件号 指南
			E46412 PRGY2	LR43341 4211-01

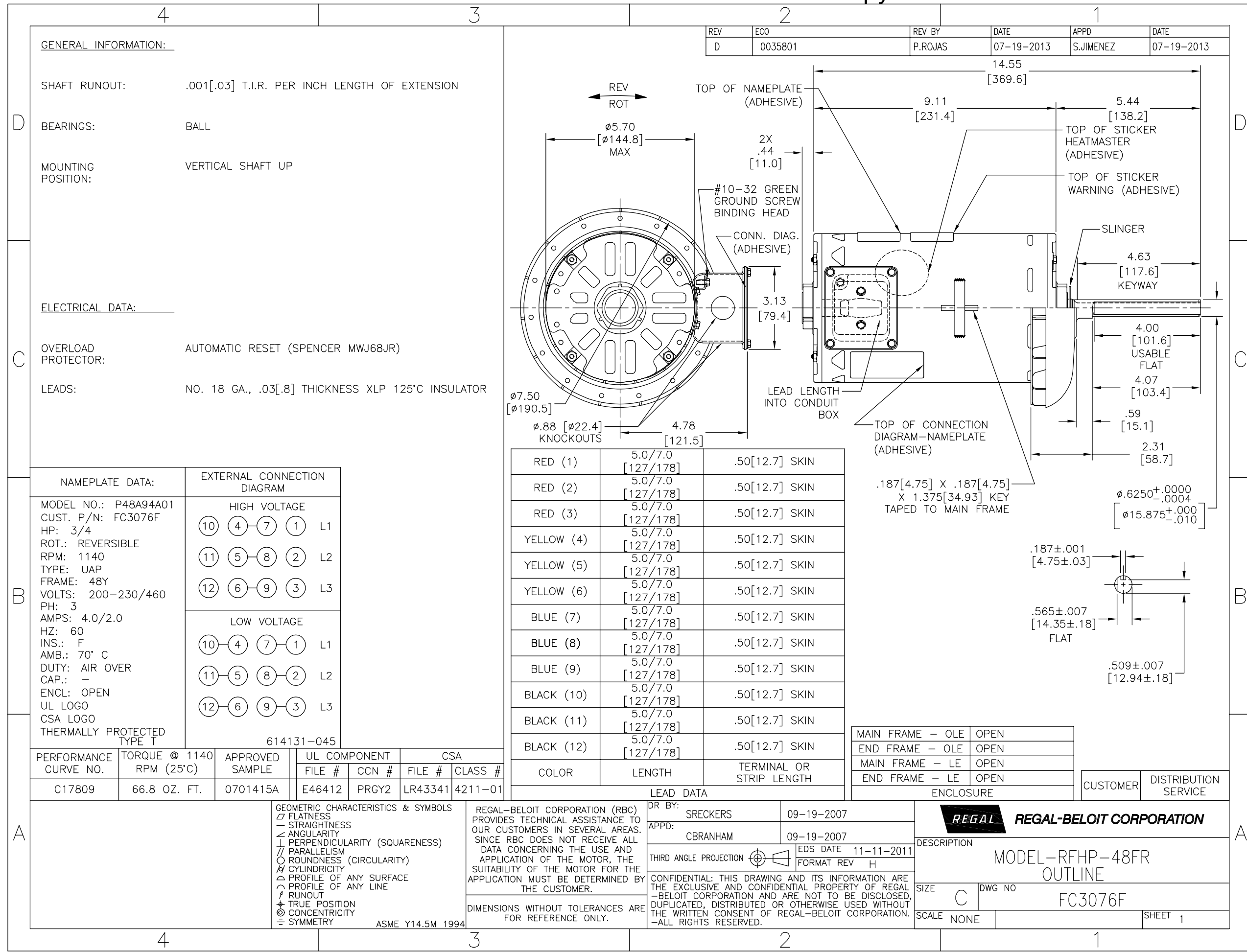
形位公差	ASME Y14.5M 1994
<ul style="list-style-type: none"> <li>□ 平面度</li> <li>— 直线度</li> <li>∠ 倾斜度</li> <li>⊥ 垂直度</li> <li>∥ 平行度</li> <li>○ 圆度</li> <li>⊙ 圆柱度</li> <li>⊖ 面轮廓度</li> <li>⌒ 线轮廓度</li> <li>⊖ 圆跳动</li> <li>⊕ 位置度</li> <li>⊙ 同轴度</li> <li>≡ 对称度</li> </ul>	

REGAL-BELOIT CORPORATION (RBC) 在个别领域为客户提供技术支持。鉴于 RBC 未收到任何涉及电机使用和应用环境的数据, 电机的适用性由客户自己决定。

未注公差尺寸仅供参考。

绘图:	SRECKERS	09-19-2007
批准:	CBRANHAM	09-19-2007
第三角投影		图纸格式发布日期 11-11-2011 图纸格式版本 H
机密: 本图纸及相关信息所有权归REGAL-BELOIT CORPORATION。未经REGAL-BELOIT CORPORATION书面授权, 不得泄露、复制、传播或作其他用途。--版权所有		

<b>REGAL REGAL-BELOIT CORPORATION</b>	
名称 MODEL-RFHP-48FR OUTLINE	
图号 C	图号 FC3076F
比例 NONE	页号 1



GENERAL INFORMATION:

SHAFT RUNOUT: .001[.03] T.I.R. PER INCH LENGTH OF EXTENSION

BEARINGS: BALL

MOUNTING POSITION: VERTICAL SHAFT UP

ELECTRICAL DATA:

OVERLOAD PROTECTOR: AUTOMATIC RESET (SPENCER MWJ68JR)

LEADS: NO. 18 GA., .03[.8] THICKNESS XLP 125°C INSULATOR

REV	ECO	REV BY	DATE	APPD	DATE
D	0035801	P.ROJAS	07-19-2013	S.JIMENEZ	07-19-2013

NAMEPLATE DATA:	EXTERNAL CONNECTION DIAGRAM
MODEL NO.: P48A94A01 CUST. P/N: FC3076F HP: 3/4 ROT.: REVERSIBLE RPM: 1140 TYPE: UAP FRAME: 48Y VOLTS: 200-230/460 PH: 3 AMPS: 4.0/2.0 HZ: 60 INS.: F AMB.: 70° C DUTY: AIR OVER CAP.: - ENCL: OPEN UL LOGO CSA LOGO THERMALLY PROTECTED TYPE T	<p>HIGH VOLTAGE</p> <p>10 4 7 1 L1</p> <p>11 5 8 2 L2</p> <p>12 6 9 3 L3</p> <p>LOW VOLTAGE</p> <p>10 4 7 1 L1</p> <p>11 5 8 2 L2</p> <p>12 6 9 3 L3</p> <p>614131-045</p>

COLOR	LENGTH	TERMINAL OR STRIP LENGTH
RED (1)	5.0/7.0 [127/178]	.50[12.7] SKIN
RED (2)	5.0/7.0 [127/178]	.50[12.7] SKIN
RED (3)	5.0/7.0 [127/178]	.50[12.7] SKIN
YELLOW (4)	5.0/7.0 [127/178]	.50[12.7] SKIN
YELLOW (5)	5.0/7.0 [127/178]	.50[12.7] SKIN
YELLOW (6)	5.0/7.0 [127/178]	.50[12.7] SKIN
BLUE (7)	5.0/7.0 [127/178]	.50[12.7] SKIN
BLUE (8)	5.0/7.0 [127/178]	.50[12.7] SKIN
BLUE (9)	5.0/7.0 [127/178]	.50[12.7] SKIN
BLACK (10)	5.0/7.0 [127/178]	.50[12.7] SKIN
BLACK (11)	5.0/7.0 [127/178]	.50[12.7] SKIN
BLACK (12)	5.0/7.0 [127/178]	.50[12.7] SKIN

MAIN FRAME - OLE	OPEN
END FRAME - OLE	OPEN
MAIN FRAME - LE	OPEN
END FRAME - LE	OPEN

CUSTOMER	DISTRIBUTION SERVICE
----------	----------------------

PERFORMANCE CURVE NO.	TORQUE @ 1140 RPM (25°C)	APPROVED SAMPLE	UL COMPONENT FILE #	CCN #	CSA FILE #	CLASS #
C17809	66.8 OZ. FT.	0701415A	E46412	PRGY2	LR43341	4211-01

GEOMETRIC CHARACTERISTICS & SYMBOLS  
 ▽ FLATNESS  
 - STRAIGHTNESS  
 < ANGLULARITY  
 ⊥ PERPENDICULARITY (SQUARENESS)  
 // PARALLELISM  
 ○ ROUNDNESS (CIRCULARITY)  
 ∅ CYLINDRICITY  
 △ PROFILE OF ANY SURFACE  
 ∩ PROFILE OF ANY LINE  
 ⌒ RUNDOUT  
 ⊕ TRUE POSITION  
 ⊙ CONCENTRICITY  
 = SYMMETRY  
 ASME Y14.5M 1994

REGAL-BELOIT CORPORATION (RBC) PROVIDES TECHNICAL ASSISTANCE TO OUR CUSTOMERS IN SEVERAL AREAS. SINCE RBC DOES NOT RECEIVE ALL DATA CONCERNING THE USE AND APPLICATION OF THE MOTOR, THE SUITABILITY OF THE MOTOR FOR THE APPLICATION MUST BE DETERMINED BY THE CUSTOMER.  
 DIMENSIONS WITHOUT TOLERANCES ARE FOR REFERENCE ONLY.

DR BY: SRECKERS 09-19-2007  
 APPD: CBRANHAM 09-19-2007  
 THIRD ANGLE PROJECTION  
 EDS DATE 11-11-2011  
 FORMAT REV H  
 CONFIDENTIAL: THIS DRAWING AND ITS INFORMATION ARE THE EXCLUSIVE AND CONFIDENTIAL PROPERTY OF REGAL-BELOIT CORPORATION AND ARE NOT TO BE DISCLOSED, DUPLICATED, DISTRIBUTED OR OTHERWISE USED WITHOUT THE WRITTEN CONSENT OF REGAL-BELOIT CORPORATION. -ALL RIGHTS RESERVED.

**REGAL REGAL-BELOIT CORPORATION**  
 DESCRIPTION: MODEL-RFHP-48FR OUTLINE  
 SIZE: C DWG NO: FC3076F  
 SCALE: NONE SHEET: 1

4 3 2 1

**INFORMACION GENERAL:**

OSCILACION DE FLECHA: .001[.03] L.T.I. POR PULGADA DE LARGO DE EXTENSION

BALEROS: BOLA

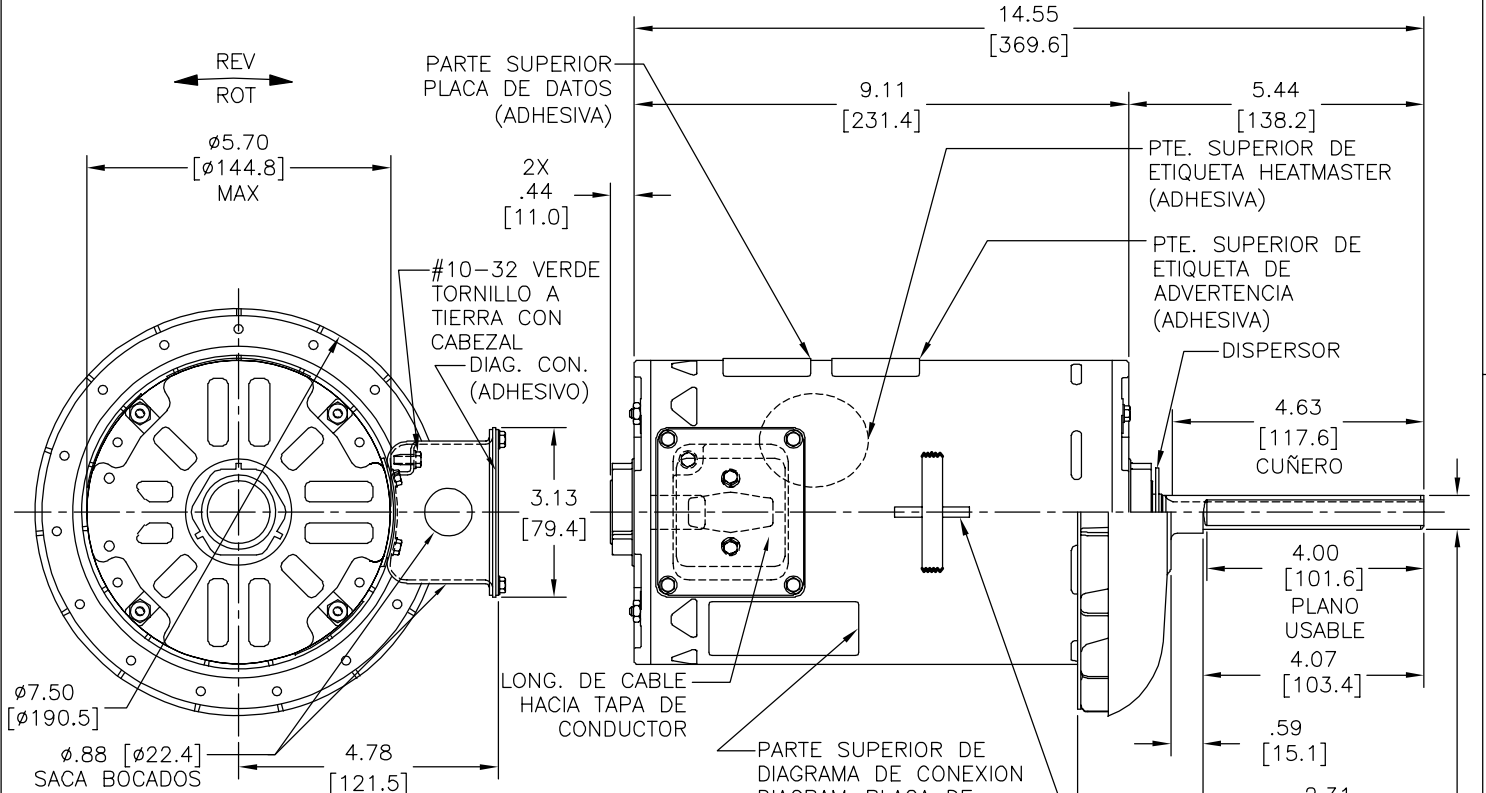
POSICION DEL MONTAJE: VERTICAL FLECHA HACIA ARRIBA

**INFORMACION ELECTRICA:**

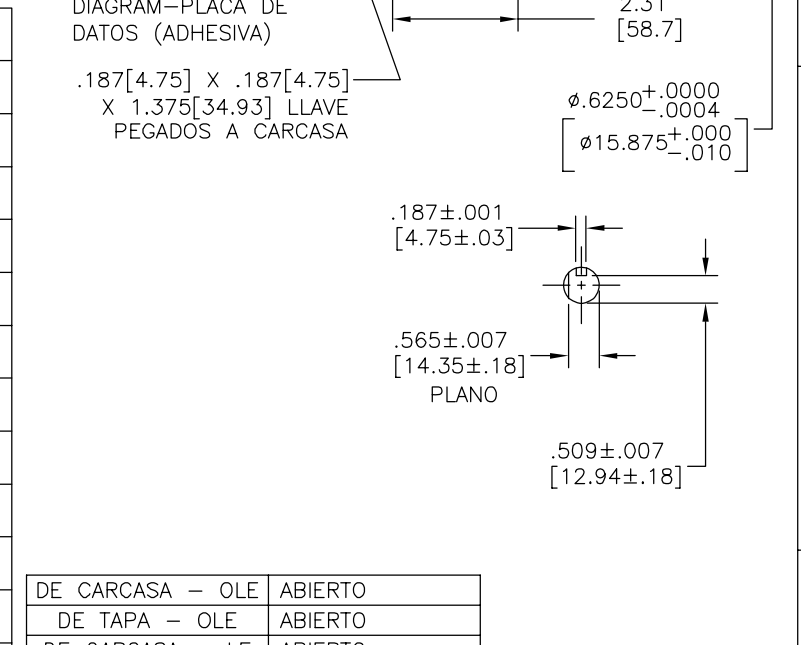
SOBRECARGA DEL PROTECTOR: REINICIO AUTOMATICO (SPENCER MWJ68JR)

CABLES: CALIBRE #18 .03[.8] ESPESOR XLP 125°C AISLANTE

REVISION:	ECO	REVISADO POR:	FECHA:	APROBADO POR:	FECHA:
D	0035801	P.ROJAS	07-19-2013	S.JIMENEZ	07-19-2013



ROJO (1)	5.0/7.0 [127/178]	.50[12.7]	DESFORRE
ROJO (2)	5.0/7.0 [127/178]	.50[12.7]	DESFORRE
ROJO (3)	5.0/7.0 [127/178]	.50[12.7]	DESFORRE
AMARILLO (4)	5.0/7.0 [127/178]	.50[12.7]	DESFORRE
AMARILLO (5)	5.0/7.0 [127/178]	.50[12.7]	DESFORRE
AMARILLO (6)	5.0/7.0 [127/178]	.50[12.7]	DESFORRE
AZUL (7)	5.0/7.0 [127/178]	.50[12.7]	DESFORRE
AZUL (8)	5.0/7.0 [127/178]	.50[12.7]	DESFORRE
AZUL (9)	5.0/7.0 [127/178]	.50[12.7]	DESFORRE
NEGRO (10)	5.0/7.0 [127/178]	.50[12.7]	DESFORRE
NEGRO (11)	5.0/7.0 [127/178]	.50[12.7]	DESFORRE
NEGRO (12)	5.0/7.0 [127/178]	.50[12.7]	DESFORRE
COLOR	LONGITUD	TERMINAL O LONGITUD DE DESFORRE	



INFORMACION DE ETIQUETA:	DIAGRAMA DE CONEXION EXTERNA
MODEL NO.: P48A94A01 CUST. P/N: FC3076F HP: 3/4 ROT.: REVERSIBLE RPM: 1140 TYPE: UAP FRAME: 48Y VOLTS: 200-230/460 PH: 3 AMPS: 4.0/2.0 HZ: 60 INS.: F AMB.: 70° C DUTY: AIR OVER CAP.: - ENCL: OPEN UL LOGO CSA LOGO THERMALLY PROTECTED TYPE T	
614131-045	

CURVAS DE FUNCIONAMIENTO	TORSION @ 1140 RPM (25°C)	MUESTRA APROBADA	COMPONENTE UL	CSA
C17809	66.8 OZ. FT.	0701415A	#ARCHIVO PRGY2	LR43341 4211-01

DE CARCASA - OLE	ABIERTO	CLIENTE	DISTRIBUTION SERVICE
DE TAPA - OLE	ABIERTO		
DE CARCASA - LE	ABIERTO		
DE TAPA - LE	ABIERTO		
TIPO DE MOTOR			

CARACTERISTICAS DE GEOMETRIA Y SIMBOLOS ▽ PLANICIDAD - RECTITUD ∠ ANGULARIDAD ⊥ PERPENDICULARIDAD (A ESCUADRA) // PARALELISMO ○ REDONDEZ (CIRCULARIDAD) ∅ CILINDRICIDAD △ PERFIL DE CUALQUIER SUPERFICIE ∩ PERFIL DE CUALQUIER LINEA / VARIACION ⊕ POSICION REAL ⊙ CONCENTRICIDAD = SIMETRIA	REGAL-BELOIT CORPORATION (RBC) PROVEE ASISTENCIA TECNICA A NUESTROS CLIENTES EN VARIAS AREAS. DESDE QUE RBC NO RECIBE TODOS LOS DATOS EN RELACION AL USO Y A LA APLICACION DEL MOTOR, LA APLICACION ADECUADA DEL MOTOR DEBE SER DETERMINADA POR EL CLIENTE.	DIBUJADO POR: SRECKERS 09-19-2007 APROBADO POR: CBRANHAM 09-19-2007 TERCER ANGULO DE PROYECCION	REGAL <b>REGAL-BELOIT CORPORATION</b>	
	DIMENSIONES SIN TOLERANCIA SON DE REFERENCIA SOLAMENTE	CONFIDENCIAL: ESTE DIBUJO Y SU INFORMACION SON PROPIEDAD DE USO EXCLUSIVO Y CONFIDENCIAL DE REGAL-BELOIT CORPORATION. Y NO DEBERAN SER REVELADOS, DUPLICADOS, DISTRIBUIDOS O USARSE DE OTRA MANERA SIN EL CONSENTIMIENTO ESCRITO DE REGAL-BELOIT CORPORATION. -TODOS LOS DERECHOS RESERVADOS.	FECHA EDS: 11-11-2011 REV. FORMATO: H	DESCRIPCION: MODEL-RFHP-48FR OUTLINE
	ASME Y14.5M 1994	TAMAÑO: C NUMERO DE DIBUJO: FC3076F ESCALA: NONE HOJA: 1		

4 3 2 1